

Telephone 800-500-9311
Telephone 864-573-9200
Fax 864-573-9299

OEC FLUID HANDLING INC.

SUBSIDIARY OF OILMEN'S EQUIPMENT CORP.
www.oecfh.com

140 Cedar Springs Rd.
P. O. Box 2807
Spartanburg, SC 29304

■ Stocked Items 11/06/03

PD Pumps

- ARO Ingersoll-Rand
- Blackmer Vane
Blackmer/Abaque Peristaltic
Blackmer "C" Eccentric Disc
- Alfa Laval-TriClover Lobe
- APV Lobe
- Tuthill Gear
Tuthill Lobe
MonoFlo Progressive Cavity

Centrifugal Pumps

- Alfa Laval-TriClover Sanitary
- APV Crepaco
- Deming End Suction
Deming Vertical Turbine
- Griswold ANSI Pumps
- MP Pump

Specialty Pumps

Flux Drum

Petroleum-Fuel Pumps

- Gorman-Rupp
- Dresser Wayne Corp
- Red Jacket
Graco
William Wilson Gasboy

Hand Pumps

- Blackmer
- Tokhiem
- Tuthill Fill-Rite

Storage Tanks

Stainless Steel ASME
UL & ASME Carbon Steel
Fiberglass Tanks
Chem-Tainer Poly Tanks
Assmann Poly Tanks
Snyder Poly Tanks

Tank Fittings & Vents

- OPW Engineered Systems
EMCO Wheaton
Morrison Bros
Protectoseal

Mechanical Seals

Utex



Meters & Instrumentation

- Micro Motion Coriolis
- Neptune Actaris PD
- Tuthill FPP PD
- Liquid Controls PD
Halliburton Turbine
Rosemount
Pressure Transmitters
Flow Transmitters
Temperature Transmitters
Level Transmitters

Sanitary Products

- Alfa Laval-TriClover Pumps
- Alfa Laval-TriClover Fittings
Alfa Laval-TriClover Valves
APV Pumps
APV Valves
APV Homogenizers
B & A Flexible Sanitary Hose

Liquid Level Gauges

- Protectoseal
Pneumercator
Moorman Bros
Milltronics/Siemens
Rosemount Level Transmitters

Hose & Reels

- Goodyear Hose
- Hannay Reels
Lawrence Composite Hose

Filters

Filtration Group Bag Filters

Mixers

Brawn Portable & Sanitary
Proquip Top Entry Agitators

Liquid Loaders & Platforms

OPW Engineered Systems
Green Manufacturing

Rotary Unions

Deublin

Custom Liquid Systems

For liquid transfer, batching &
process metering

Performance Guaranteed

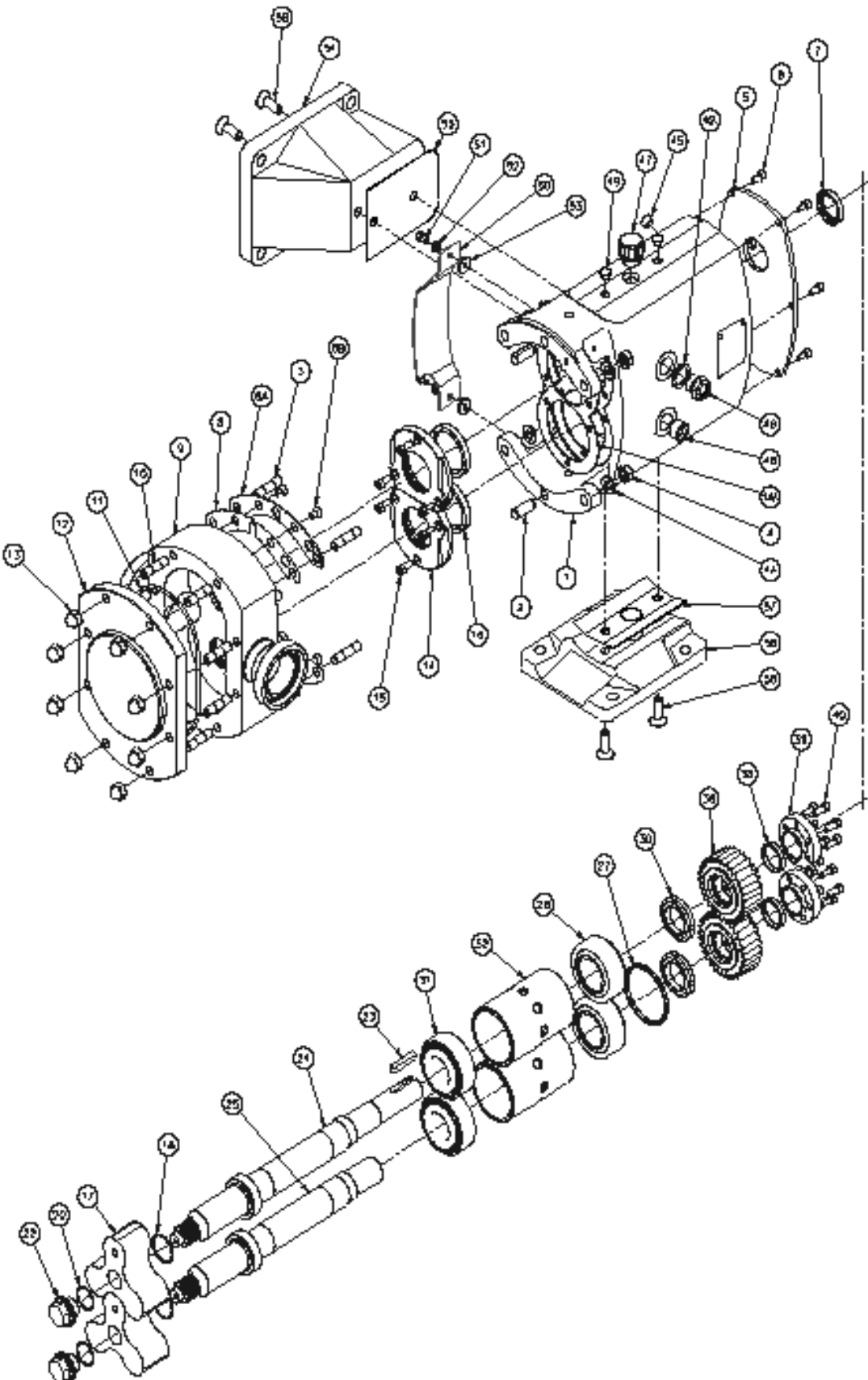
CHARLOTTE, NC ■ SPARTANBURG, SC ■ GREENSBORO, NC

SRU1 Pump Range

2

Drawing Item No.	Description	Qty	Part No.	Item No.
1	Gearcase - universal mounting	1	5220.351	9630087578
2	Dowel	2	5170.025	9630030093
3	Stud, rotorcase retention	4	6350.135	9630052259
4	Nut, rotorcase retention	4	5330.003	9630024057
4A	Washer, rotorcase retention	4	6400.036	9630024231
5	Cover, gearcase	1	5120.181	9630087581
6	Screw, gearcase cover	6	5990.044	9630030096
7	Lip seal, drive end		NBR 5310.047 FPM 5310.078	9630030621 9630030621
8	Shim	1set	Polymex 6150.150 St.stl 6150.151	9630034305 9630034304
8A	Shim retainer	2	6150.261	9630050684
8B	Shim retainer screws	4	6000.010	9630050533
9	Rotorcase	1	see page 18-20	see page 18-20
10	Stud, rotorcase/cover retention	4	6350.093	9630031415
11	'O' Ring, cover - plain	1	NBR 8831550239 FPM 8831551239 EPDM 8831555239 PTFE 8831550239	9630023375 9630023456 9630023539 9630028747
12	Cover, rotorcase	1	5130.311	9630046119
13	Dome nut, rotorcase cover	4	5340.029	9630024095
14	Retainer, seal	2	5560.030	9630031375
14A	Gasket	1	5198.202	9630063085
15	Screw, seal retainer	6	5990.044	9630030096
16	Lip seal, gland end		NBR 5310.037 FPM 5310.070	9630030622 9630032796
17	Rotors	2	see page 22	see page 22
18	'O' Ring, rotor sealing shaft end (SS rotor)	2	NBR 5380.421 FPM 5380.420 EPDM 5380.446 PTFE 5380.447	9630044558 9630057303 9630046208 9630046212
18	'O' Ring, rotor sealing shaft end (rubber rotor)	2	NBR 5380.421 FPM 5380.420 EPDM 5380.446	9630044558 9630044557 9630046208
20	'O' Ring, rotor sealing nut end	2	NBR 5380.442 FPM 5380.443 EPDM 5380.444	9630046204 9630046205 9630046206
22	Nut, rotor retention	2	5380.445	9630046207
		2	SRU1/005 5900.161	9630045826
		2	SRU1/008 5900.162	9630045828
23	Key	1	5270.030	9630031498
24	Shaft, drive (Duplex)	1	R90 6110.592 Hyclean 6110.717	9630033399 9630052964
25	Shaft, auxiliary (Duplex)	1	R90 6100.592 Hyclean 6100.717	9630033401 9630052961
26	Bearing, rear	2	5080.011	9630029026
27	Spacer, shaft abutment	1	5670.061.01	9630032664
30	Nut, bearing	2	5340.040	9630029135
31	Bearing, front	2	5080.011	9630029026
32	Spacer, bearing	2	5670.100	9630033403
36	Timing gear	2	Duplex shaft 5210.036	9630031258
38	Torque locking element	2	5615.013	9630025151
39	Clamp plate	2	5110.039	9630031371
40	Screw, clamp plate	6	5990.044	9630030096
45	Drain plug	2	1660.004	9630023546
46	Sight glass	1	5480.001	9630032778
46A	Washer, sight glass	1	31499.5916.1	9630039007
47	Filler plug	1	31491.0052.1	9630018599
48	Plug	2	1660.008	9630023548
49	Blanking plug	4	5470.022	9630089950
54	Foot, vertical port	1	5225.401	9630070562
55	Foot gasket, vertical port	1	5198.231	9630070793
56	Foot, horizontal port	1	5225.301	9630070561
57	Foot gasket, horizontal port	1	5198.241	9630070791
58	Bolt, Foot	2	6000.016	9630074795

Note: Items 50 - 53 detailed on page 25

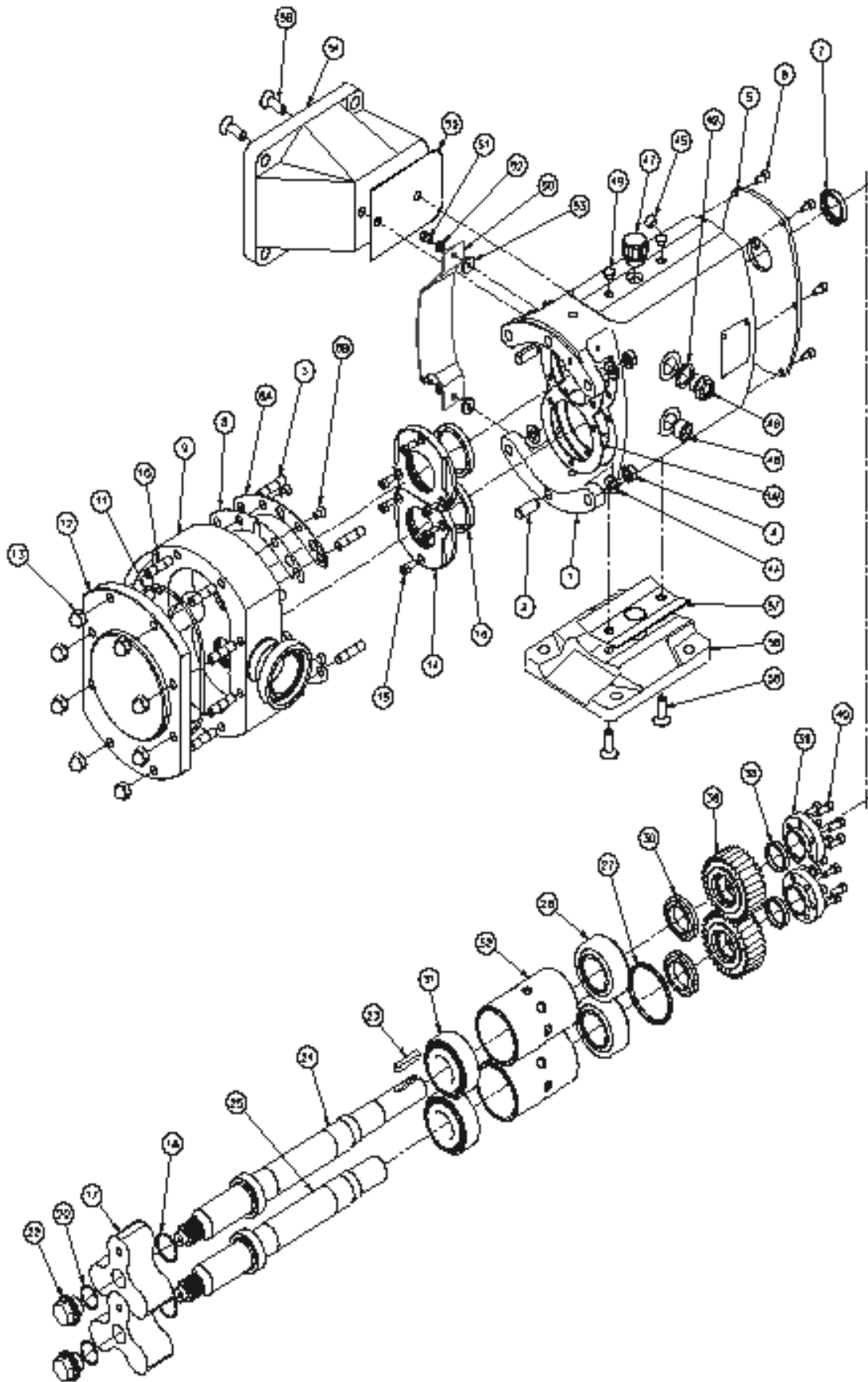


SRU2 Pump Range

4

Drawing Item No.	Description	Qty	Part No.	Item No.
1	Gearcase - universal mounting	1	5220.352	9630087345
2	Dowel	2	5170.034	9630045605
3	Stud, rotorcase retention	4	6350.136	9630052261
4	Nut, rotorcase retention	4	5330.000	9630024051
4A	Washer, rotorcase retention	4	6400.037	9630024233
5	Cover, gearcase	1	5120.182	9630087567
6	Screw, gearcaser cover	6	5990.044	9630030096
7	Lip seal, drive end	1	5310.101	9630040403
			NBR	
			FPM	9630032807
8	Shim	1set	6150.152	9630034199
			Polymex	
			St.stl	9630034201
8A	Shim retainer	2	6150.312	9630089541
8B	Shim retainer screws	4	6000.010	9630050533
9	Rotorcase	1	see page 18-20	see page 18-20
10	Stud, rotorcase/cover retention	4	6350.094	9630024086
11	'O' Ring, cover - plain	1	8831550249	9630023379
			NBR	
			FPM	9630023462
			EPDM	9630023540
			PTFE	
		1	1552.249	9630040636
12	Cover, rotorcase	1	5130.312	9630046120
13	Dome nut, rotorcase cover	4	5340.047	9630029651
14	Retainer, seal	2	5560.031	9630031405
14A	Gasket	1	5198.203	9630063087
15	Screw, seal retainer	6	5990.007	9630024595
16	Lip seal, gland end	2	5310.038	9630030623
			NBR	
			FPM	9630032797
17	Rotors	2	see page 22	see page 22
18	'O' Ring, rotor sealing shaft end (SS rotor)	2	8831550022	9630046452
			NBR	
			FPM	5380.420
			EPDM	9630046453
			PTFE	8831555022
		2	1558.022	9630046454
20	'O' Ring, rotor sealing nut end	2	8831550020	9630031506
			NBR	
			FPM	8831551020
			EPDM	8831555020
			PTFE	9630046187
		2	8831552020	9630046188
22	Nut, rotor retention	2	5900.163	9630045830
			SRU2/013	
			SRU2/018	9630045832
23	Key	1	5270.007	9630023916
24	Shaft, drive (Stainless Steel)	1	6110.545	9630031389
			Hyclean	6110.656
			R90	9630046281
	Shaft, drive (Duplex)		6110.675	9630030029
			Hyclean	6110.660
			R90	9630022632
25	Shaft, auxiliary (Stainless Steel)	1	6100.545	9630031391
			Hyclean	6100.656
		1	6100.675	9630046255
	Shaft, auxiliary (Duplex)		6100.675	9630032000
			Hyclean	6100.660
			R90	9630046257
26	Bearing, rear	2	5080.012	9630029028
27	Spacer, shaft abutment	1	5670.062.01	9630029028
30	Nut, bearing	2	5340.041	9630029136
31	Bearing, front	2	5080.012	9630029028
32	Spacer, bearing	2	5670.056	9630031409
36	Timing gear	2	5210.037	9630031260
38	Torque locking element	2	5615.015	9630030115
39	Clamp plate	2	5110.040	9630031407
40	Screw, clamp plate	6	5990.044	9630030096
45	Drain plug	2	1660.004	9630023546
46	Sight glass	1	5480.001	9630032778
46A	Washer, sight glass	1	31499.5916.1	9630039007
47	Filler plug	1	31491.0052.1	9630018599
48	Plug	2	1660.008	9630023548
49	Blanking plug	4	5470.020	9630087278
54	Foot, vertical port	1	5225.402	9630069904
55	Foot gasket, vertical port	1	5198.232	9630070136
56	Foot, horizontal port	1	5225.302	9630069903
57	Foot gasket, horizontal port	1	5198.242	9630070244
58	Bolt, Foot	2	6000.015	9630074794

Note: Items 50 - 53 detailed on page 25

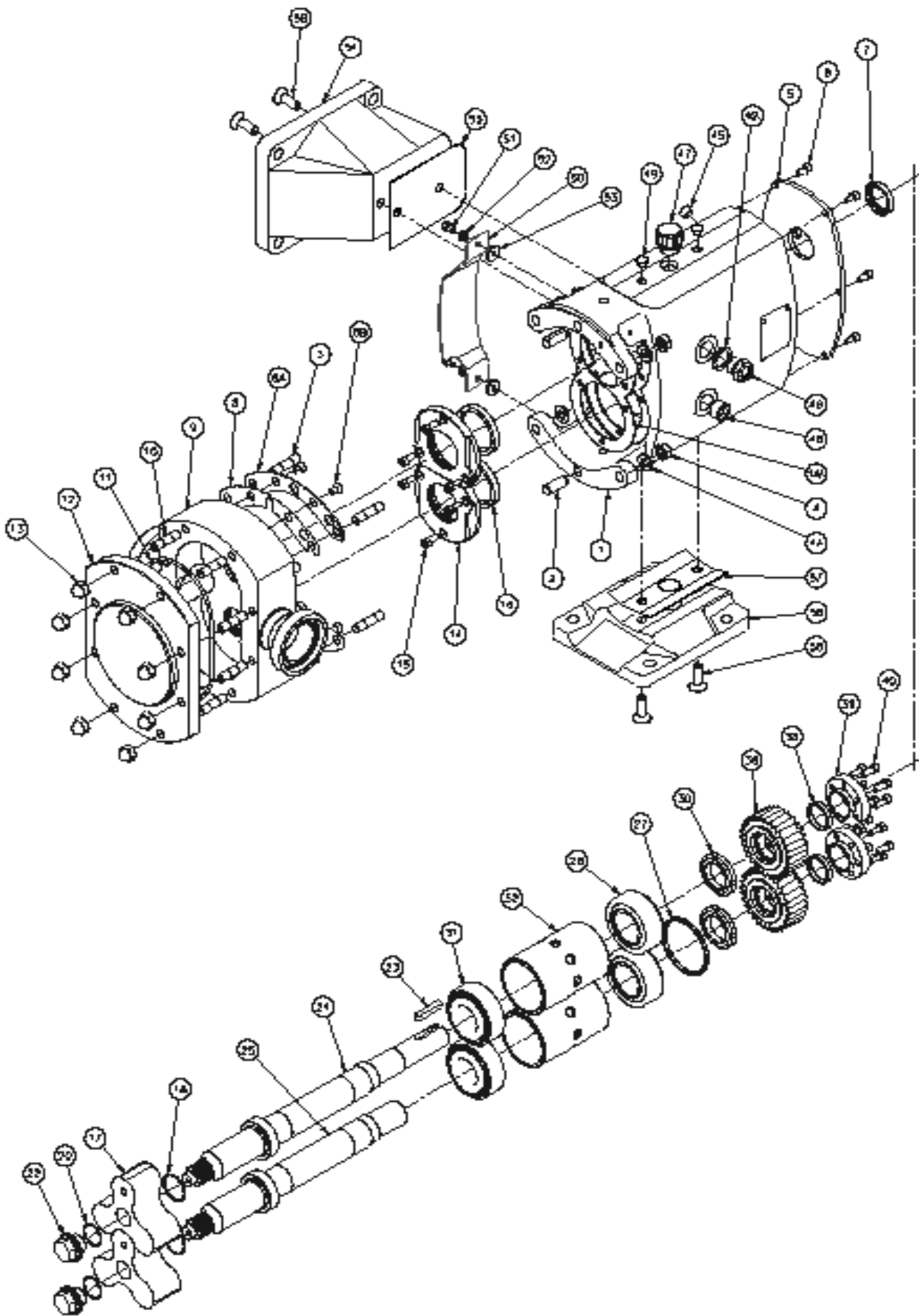


SRU3 Pump Range

6

Drawing Item No.	Description	Qty	Part No.	Item No.
1	Gearcase - universal mounting	1	5220.353	9630087580
2	Dowel	2	5170.010	9630023461
3	Stud, rotorcase retention	4	6350.105	9630027485
4	Nut, rotorcase retention	4	5330.000	9630024051
4A	Washer, rotorcase retention	4	6400.037	9630024233
5	Cover, gearcase	1	5120.163	9630070039
6	Screw, gearcase cover	6	5990.044	9630030096
7	Lip seal, drive end	1	5310.004	9630023983
			FPM	9630032808
8	Shim	1set	6150.154	9630034130
			Polymex	9630034030
			St.stl	9630089542
8A	Shim retainer	2	6150.313	9630089542
8B	Shim retainer screws	4	6000.010	9630050533
9	Rotorcase	1	see page 18-20	see page 18-20
10	Stud, rotorcase/cover retention	8	6350.095	9630027490
11	'O' Ring, cover - plain	1	NBR	1550.258
			FPM	1551.258
			EPDM	1555.258
			PTFE	1552.258
12	Cover, rotorcase	1	5130.313	9630046122
13	Dome nut, rotorcase cover	8	5340.047	9630029651
14	Retainer, seal	2	5560.032	9630025431
14A	Gasket	1	5198.204	9630063090
15	Screw, seal retainer	6	5990.007	9630024595
16	Lip seal, gland end	2	NBR	5310.039
			FPM	5310.072
17	Rotors	2	see page 23	see page 23
18	'O' Ring, rotor sealing shaft end (SS rotor)	2	NBR	1550.026
			FPM	1551.026
			EPDM	1555.026
			PTFE	1558.026
18	'O' Ring, rotor sealing shaft end (rubber rotor)	2	NBR	5380.261
			FPM	5380.271
			EPDM	5380.355
20	'O' Ring, rotor sealing nut end	2	NBR	1550.024
			FPM	1551.024
			EPDM	1555.024
			PTFE	1558.024
22	Nut, rotor retention	2	SRU3/027	5900.165
			SRU3/038	5900.166
23	Key	1	5270.031	9630031499
24	Shaft, drive (Stainless Steel)	1	R90	6110.593
			Hyclean	6110.657
	Shaft, drive (Duplex)	1	R90	6110.643
			Hyclean	6110.661
25	Shaft, auxiliary (Stainless Steel)	1	R90	6100.593
			Hyclean	6100.657
	Shaft, auxiliary (Duplex)	1	R90	6100.643
			Hyclean	6100.661
26	Bearing, rear	2	5080.013	9630029030
27	Spacer, shaft abutment	1	5670.063.01	9630032683
30	Nut, bearing	2	5340.042	9630029137
31	Bearing, front	2	5080.013	9630029030
32	Spacer, bearing	2	5670.058	9630029695
36	Timing gear	2	St. Stl shaft	5210.032
			Duplex shaft	5210.038
38	Torque locking element	2	St. Stl shaft	5615.016
			Duplex shaft	5615.016
39	Clampplate	2	5110.041	9630029175
40	Screw, clamp plate	12	5990.007	9630024595
45	Drain plug	2	1660.004	9630023546
46	Sight glass	1	5480.001	9630032778
46A	Washer, sight glass	1	31499.5916.1	9630039007
47	Filler plug	1	31491.0052.1	9630018599
48	Plug	2	1660.008	9630023548
49	Blanking plug	4	5470.020	9630087278
54	Foot, vertical port	1	5225.403	9630070494
55	Foot gasket, vertical port	1	5198.233	9630071280
56	Foot, horizontal port	1	5225.303	9630070492
57	Foot gasket, horizontal port	1	5198.243	9630071281
58	Bolt, Foot	2	6000.014	9630074776

Note: Items 50 - 53 detailed on page 25



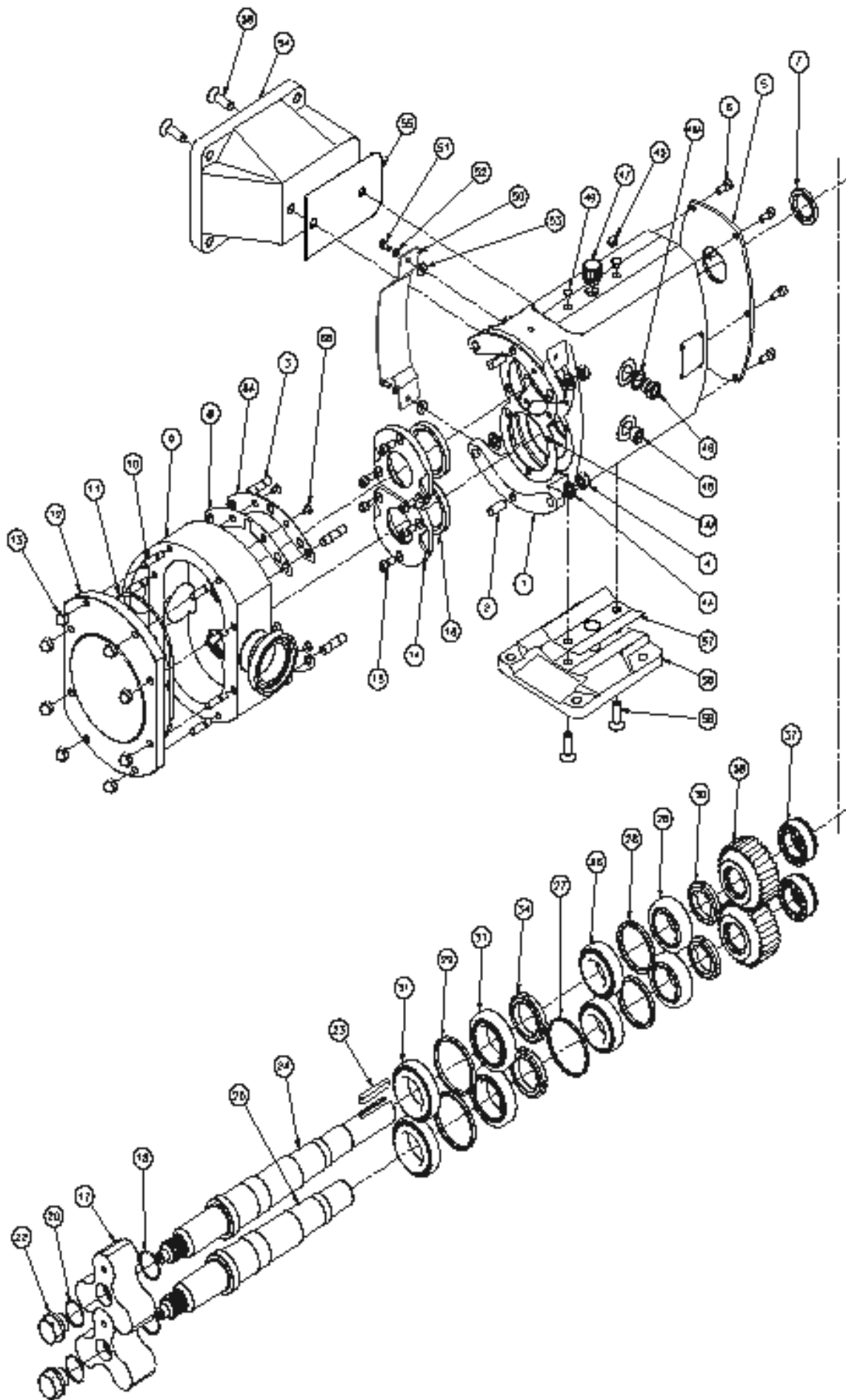
SRU4 Pump Range

8

Drawing Item No.	Description	Qty	Part No.	Item No.
1	Gearcase - universal mounting	1	5220.354	9630087566
2	Dowel	2	5170.010	9630023461
3	Stud, rotorcase retention	4	6350.138	9630052265
4	Nut, rotorcase retention	4	5330.001	9630024053
4A	Washer, rotorcase retention	4	6400.038	9630024236
5	Cover, gearcase	1	5120.184	9630087616
6	Screw, gearcase cover	6	5990.030	9630024629
7	Lip seal, drive end	1	5310.048	9630030624
			NBR	
			FPM	
8	Shim	1set	6150.156	9630033702
			Polymex	
			St.stl	
8A	Shim retainer	2	6150.314	9630089543
8B	Shim retainer screws	4	6000.010	9630050533
9	Rotorcase	1	see page 19-21	see page 19-21
10	Stud, rotorcase/cover retention	8	6350.104	9630019863
11	'O' Ring, cover - plain	1	1550.265	8831550265
			NBR	
			FPM	
			EPDM	
			PTFE	
12	Cover, rotorcase	1	5130.314	9630046124
13	Dome nut, rotorcase cover	8	5340.047	9630029651
14	Retainer, seal	2	5560.034	9630028443
14A	Gasket	1	5198.206	9630063093
15	Screw, seal retainer	6	5990.030	9630024629
16	Lip seal, gland end	2	5310.041	9630030627
			NBR	
			FPM	
17	Rotors	2	see page 23	see page 23
18	'O' Ring, rotor sealing shaft end (SS rotor)	2	1550.030	8831550030
			FPM	
			EPDM	
			PTFE	
18	'O' Ring, rotor sealing shaft end (rubber rotor)	2	5380.262	9630029979
			FPM	
			EPDM	
20	'O' Ring, rotor sealing nut end	2	1550.029	8831550029
			FPM	
			EPDM	
			PTFE	
22	Nut, rotor retention	2	5900.167	9630046132
			SRU4/055	
			SRU4/079	
23	Key	1	5270.011	9630023932
24	Shaft, drive (Stainless Steel)	1	6110.549	9630031042
			Hyclean	
			6110.658	9630046283
	Shaft, drive (Duplex)		R90	
			6110.557	9630031045
			Hyclean	
			6110.662	9630046276
25	Shaft, auxiliary (Stainless Steel))	1	6100.549	9630031044
			Hyclean	
			6100.658	9630046265
	Shaft, auxiliary (Duplex)		R90	
			6100.557	9630031046
			Hyclean	
			6100.662	9630046267
26	Bearing, rear	4	5080.014	9630029032
27	Spacer, shaft abutment	1	5670.065.01	9630035207
28	Spacer, bearing drive end	2	5670.050	9630027142
29	Spacer, bearing gland end	2	5670.049	9630031175
30	Nut, bearing rear	2	5340.043	9630029138
31	Bearing, front	4	5080.015	9630029034
34	Nut, bearing front	2	5340.035	9630024100
36	Timing gear	2	5210.039	9630019630
37	Torque locking assembly	2	5615.000	9630024451
45	Drain plug	2	1660.004	9630023546
46	Sight glass	1	5480.001	9630032778
46A	Washer, sight glass	1	31499.5916.1	9630039007
47	Filler plug	1	31491.0052.1	9630018599
48	Plug	2	1660.008	9630023548
49	Blanking plug	4	5470.021	9630089949
54	Foot, vertical port	1	5225.404	9630070366
55	Foot gasket, vertical port	1	5198.234	9630070372
56	Foot, horizontal port	1	5225.304	9630070368
57	Foot gasket, horizontal port	1	5198.244	9630070370
58	Bolt, Foot	2	6000.013	9630074775

Note: Items 50 - 53 detailed on page 25

SRU4 Pump Range



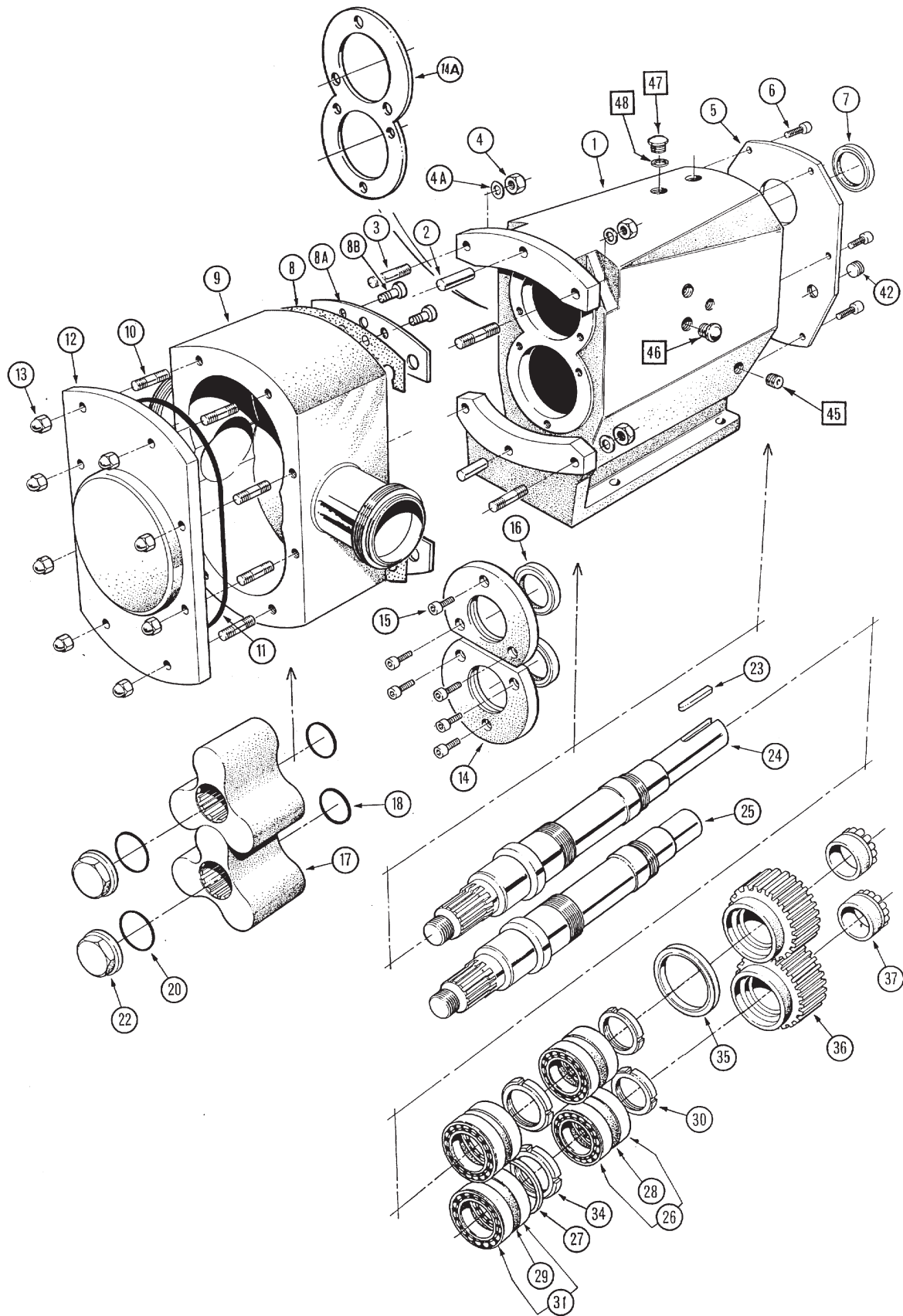
SRU5 Pump Range - Horizontally ported

10

Drawing Item No.	Description	Qty	Part No.	Item No.
1	Gearcase	1	5220.079	9630032647
2	Dowel	2	5170.010	9630023461
3	Stud, rotorcase retention	4	6350.138	9630052265
4	Nut, rotorcase retention	4	5330.001	9630024053
4A	Washer, rotorcase retention	4	6400.038	9630024236
5	Cover, gearcase	1	5120.048	9630030981
6	Screw, gearcase cover	6	5990.030	9630024629
7	Lip seal, drive end	1	5310.012	9630023996
			NBR	
			FPM	9630032810
8	Shim	1set	6150.158	9630033860
			Polymex	
			St.stl	9630033411
8A	Shim retainer	2	6150.315	9630089544
8B	Shim retainer screws	4	6000.010	9630050533
9	Rotorcase	1	see page 19-21	see page 19-21
10	Stud, rotorcase/gearcase	8	6350.104	9630019863
11	'O' Ring, cover - plain	1	1550.273	8831550273
			NBR	
			FPM	9630045584
			EPDM	8831555273
			PTFE	9630022526
12	Cover, rotorcase	1	5130.315	9630046126
13	Dome nut, rotorcase cover	8	5340.047	9630029651
14	Retainer, seal	2	5560.036	9630026099
14A	Gasket	1	5198.208	9630063097
15	Screw, seal retainer	6	5990.030	9630024629
16	Lip seal, gland end	2	5310.043	9630030630
			NBR	
			FPM	9630032802
17	Rotors	2	see page 24	see page 24
18	'O' Ring, rotor sealing shaft end (SS rotor)	2	1550.135	8831550135
			FPM	8831551135
			EPDM	8831555135
			PTFE	9630037154
18	'O' Ring, rotor sealing shaft end (rubber rotor)	2	5380.263	9630023523
			FPM	5380630
			EPDM	9630032653
20	'O' Ring, rotor sealing nut end	2	1550.133	8831550133
			FPM	9630037148
			EPDM	8831555133
			PTFE	9630037149
22	Nut, rotor retention	2	5900.169	9630046134
			SRU5/116	
			SRU5/168	9630046142
23	Key	1	5270.013	9630023940
24	Shaft, drive (Stainless Steel)	1	6110.551	9630031107
			R90	
			Hyclean	9630046284
	Shaft, drive (Duplex)	1	6110.558	9630031111
			R90	
			Hyclean	9630046280
25	Shaft, auxiliary (Stainless Steel)	1	6100.551	9630031109
			R90	
			Hyclean	9630046271
	Shaft, auxiliary (Duplex)	1	6100.558	9630031110
			R90	
			Hyclean	9630046273
26	Bearing, rear	4	5080.015	9630029034
27	Spacer, shaft abutment	1	5670.067.01	9630035209
28	Spacer, bearing drive end	2	5670.049	9630031175
29	Spacer, bearing gland end	2	5670.051	9630031133
30	Nut, bearing rear	2	5340.035	9630024100
31	Bearing, front	4	5080.017	9630029036
34	Nut, bearing front	2	5340.045	9630029139
35	Lip seal, upper chamber	1	5310.001	9630023977
			NBR	
			FPM	9630032804
36	Timing gear	2	5210.034	9630031162
37	Torque locking assembly	2	5615.005	9630024455
45	Drain plug	2	1660.008	9630023548
46	Sight glass	1	5480.001	9630032778
46A	Washer, sight glass	2	31499.5916.1	9630039007
47	Filler plug	2	31491.0052.1	9630018599

Note: Items 50 - 53 detailed on page 25

SRU5 Pump Range - Horizontally ported



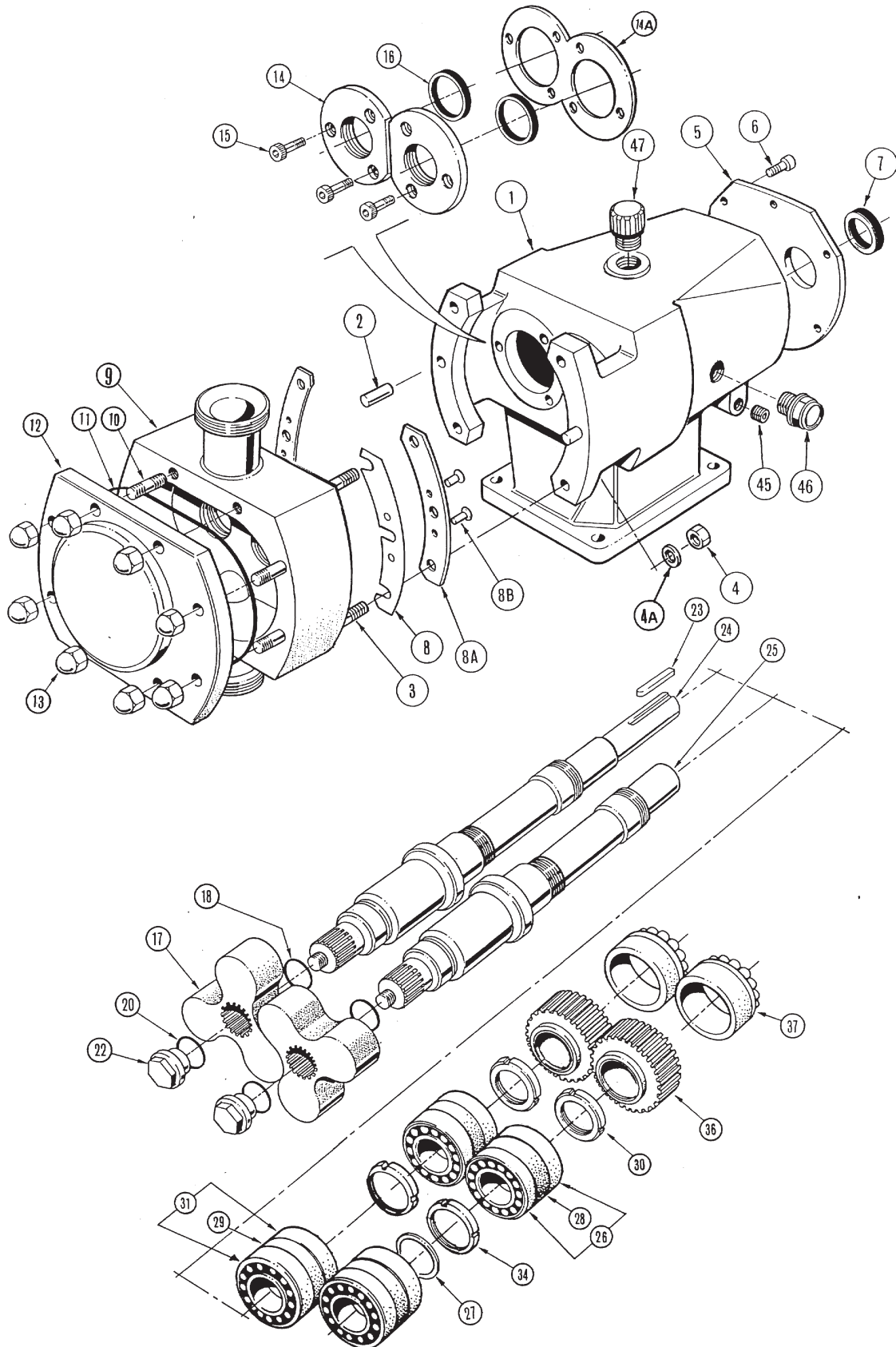
SRU5 Pump Range - Vertically ported

12

Drawing Item No.	Description		Qty	Part No.	Item No.
1	Gearcase		1	5220.355	9630087809
2	Dowel		2	5170.010	9630023461
3	Stud, rotorcase retention		4	6350.138	9630052265
4	Nut, rotorcase retention		4	5330.001	9630024053
4A	Washer, rotorcase retention		4	6400.038	9630024236
5	Cover, gearcase		1	5120.165	9630072515
6	Screw, gearcase cover		5	5990.030	9630024629
7	Lip seal, drive end	NBR	1	5310.012	9630023996
		FPM	1	5310.082	9630032810
8	Shim	Polymex	1set	6150.158	9630033860
		St.stl		6150.159	9630033411
8A	Shim retainer		2	6150.265	9630050529
8B	Shim retainer screws		4	6000.010	9630050533
9	Rotorcase		1	see page 19-21	see page 19-21
10	Stud, rotorcase/cover retention		8	6350.104	9630019863
11	'O' Ring, cover - plain	NBR	1	1550.273	8831550273
		FPM		1551.273	8831551273
		EPDM		1555.273	8831555273
		PTFE		1552.273	9630022526
12	Cover, rotorcase		1	5130.315	9630046126
13	Dome nut, rotorcase cover		8	5340.047	9630029651
14	Retainer, seal		2	5560.036	9630026099
14A	Gasket		1	5198.208	9630063097
15	Screw, seal retainer		6	5990.030	9630024629
16	Lip seal, gland end	NBR	2	5310.043	9630030630
		FPM	2	5310.076	9630032802
17	Rotors		2	see page 24	see page 24
18	'O' Ring, rotor sealing shaft end (SS rotor)	NBR	2	1550.135	8831550135
		FPM		1551.135	8831551135
		EPDM		1555.135	8831555135
		PTFE		1558.135	9630037154
18	'O' Ring, rotor sealing shaft end (rubber rotor)	NBR	2	5380.263	9630023523
		FPM		5380.273	5380630
		EPDM		5380.306	9630032653
20	'O' Ring, rotor sealing nut end	NBR	2	1550.133	8831550133
		FPM		1551.133	8831551133
		EPDM		1555.133	8831555133
		PTFE		1558.133	9630037149
22	Nut, rotor retention	SRU5/116	2	5900.169	9630046134
		SRU5/168	2	5900.170	9630046142
23	Key		1	5270.013	9630023940
24	Shaft, drive (Stainless Steel)	R90	1	6110.551	9630031107
		Hyclean		6110.659	9630046284
	Shaft, drive (Duplex)	R90		6110.558	9630031111
		Hyclean		6110.663	9630046280
25	Shaft, auxiliary (Stainless Steel)	R90	1	6100.551	9630031109
		Hyclean		6100.659	9630046271
	Shaft, auxiliary (Duplex)	R90		6100.558	9630031110
		Hyclean		6100.663	9630046273
26	Bearing, rear		4	5080.015	9630029034
27	Spacer, shaft abutment		1	5670.067.01	9630035209
28	Spacer, bearing drive end		2	5670.049	9630031175
29	Spacer, bearing gland end		2	5670.051	9630031133
30	Nut, bearing rear		2	5340.035	9630024100
31	Bearing, front		4	5080.017	9630029036
34	Nut, bearing front		2	5340.045	9630029139
36	Timing gear		2	5210.034	9630031162
37	Torque locking assembly		2	5615.005	9630024455
45	Drain plug		1	1660.008	9630023548
46	Sight glass		1	5480.001	9630032778
46A	Washer, sight glass		1	31499.5916.1	9630039007
47	Filler plug		1	31491.0052.1	9630018599
48	Plug		1	1660.008	9630023548

Note: Items 50 - 53 detailed on page 25

SRU5 Pump Range - Vertically ported



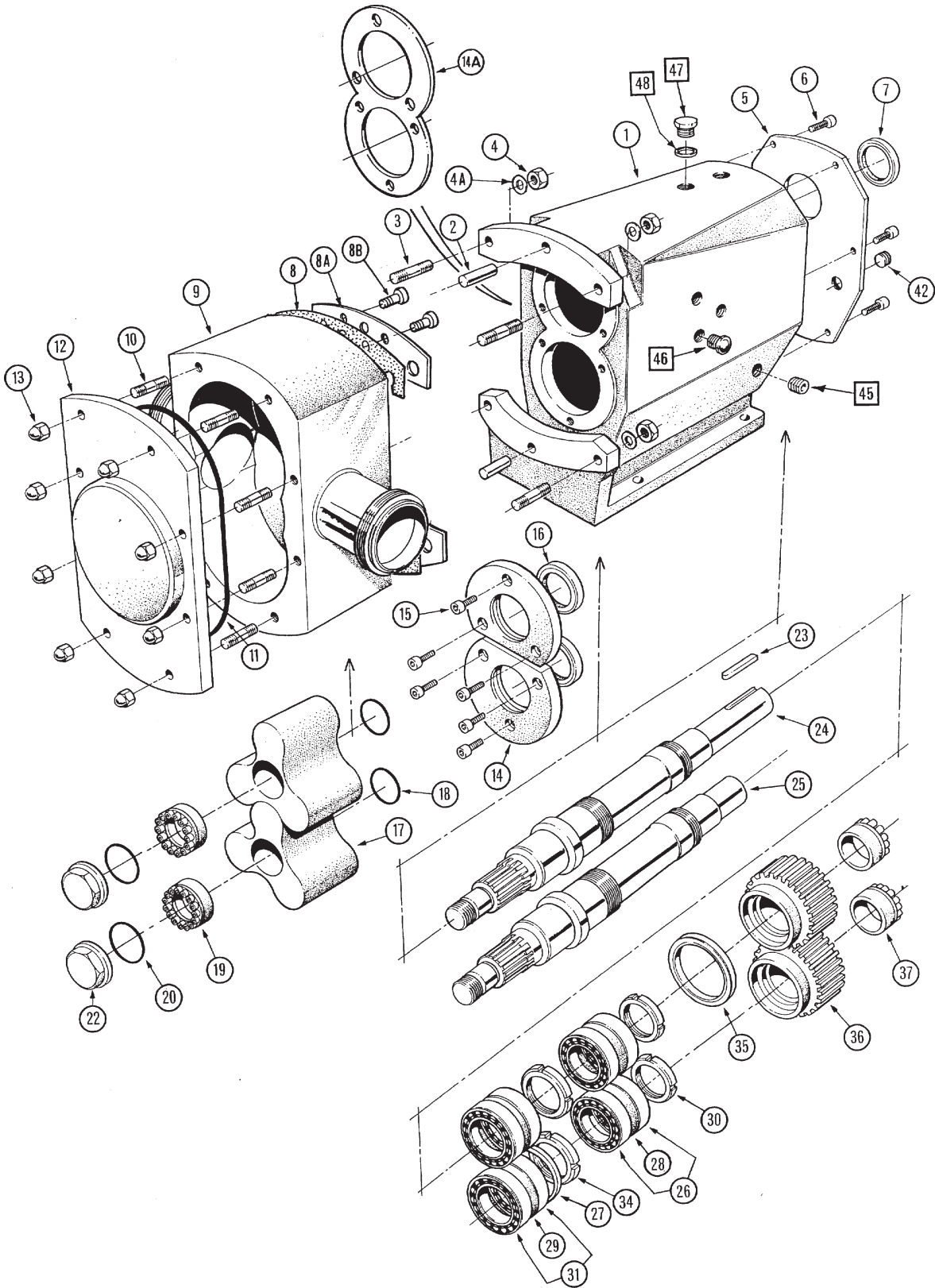
SRU6 Pump Range - Horizontally ported

14

Drawing Item No.	Description	Qty	Part No.	Item No.
1	Gearcase	1	5220.081	9630032818
2	Dowel	2	5170.011	9630023467
3	Stud, rotorcase retention	4	6350.139	9630052267
4	Nut, rotorcase retention	4	5330.002	9630024055
4A	Washer, rotorcase retention	4	6400.041	9630024238
5	Cover, gearcase	1	5120.049	9630030972
6	Screw, gearcase cover	6	5990.030	9630024629
7	Lip seal, drive end	1	5310.039	9630030625
			NBR	9630032798
			FPM	9630033391
8	Shim	1set	6150.160	9630033392
			Polymex	9630051782
			St.stl	9630050533
8A	Shim retainer	2	6150.266	9630051782
8B	Shim retainer screws	4	6000.010	9630050533
9	Rotorcase	1	see page 19-21	see page 19-21
10	Stud, rotorcase/cover retention	8	6350.098	9630030574
11	'O' Ring, cover - plain	1	1550.277	8831550277
			NBR	8831551277
			FPM	8831555277
			EPDM	9630046184
			PTFE	9630046128
12	Cover, rotorcase	1	5130.316	9630024088
13	Dome nut, rotorcase cover	8	5340.022	9630026103
14	Retainer, seal	2	5560.037	9630063101
14A	Gasket	1	5198.210	9630024629
15	Screw, seal retainer	6	5990.030	9630030631
16	Lip seal, gland end	2	5310.044	9630032803
			NBR	9630032803
			FPM	9630032803
17	Rotors	2	see page 24	see page 24
18	'O' Ring, rotor sealing shaft end (SS rotor)	2	1550.143	8831550143
			FPM	8831551143
			EPDM	8831555143
			PTFE	9630046202
18	'O' Ring, rotor sealing shaft end (rubber rotor)	2	5380.025	8831550143
			FPM	9630024125
			EPDM	9630024196
19	Torque locking assembly	2	5615.014	5615019
20	'O' Ring, rotor sealing nut end	2	1550.143	9630046199
			FPM	8831551143
			EPDM	8831555143
			PTFE	9630046202
22	Nut, rotor retention	2	5900.171	9630046136
			SRU6/260	9630046144
			SRU6/353	9630023940
23	Key	1	5270.013	9630030811
24	Shaft, drive (Stainless Steel)	1	6110.553	9630030811
			R90	9630048167
			Hyclean	9630030814
	Shaft, drive (Duplex)		R90	9630048168
			Hyclean	9630030813
25	Shaft, auxiliary (Stainless Steel)	1	6100.553	9630030813
			R90	9630048162
			Hyclean	9630030815
	Shaft, auxiliary (Duplex)		R90	9630048163
			Hyclean	9630029036
26	Bearing, rear	4	5080.017	9630029036
27	Spacer, shaft abutment	1	5670.068.01	9630034661
28	Spacer, bearing drive end	2	5670.051	9630031133
29	Spacer, bearing gland end	2	5670.053	9630031135
30	Nut, bearing rear	2	5340.045	9630029139
31	Bearing, front	4	5080.019	9630029038
34	Nut, bearing front	2	5340.046	9630029140
35	Lip seal, upper chamber	1	5310.046	9630030620
			NBR	9630032805
			FPM	9630030718
36	Timing gear	2	5210.035	9630024455
37	Torque locking assembly	2	5615.005	9630023548
45	Drain plug	2	1660.008	9630032778
46	Sight glass	1	5480.001	9630039007
46A	Washer, sight glass	1	31499.5916.1	9630018599
47	Filler plug	1	31491.0052.1	9630018599

Note: Items 50 - 53 detailed on page 25

SRU6 Pump Range - Horizontally ported



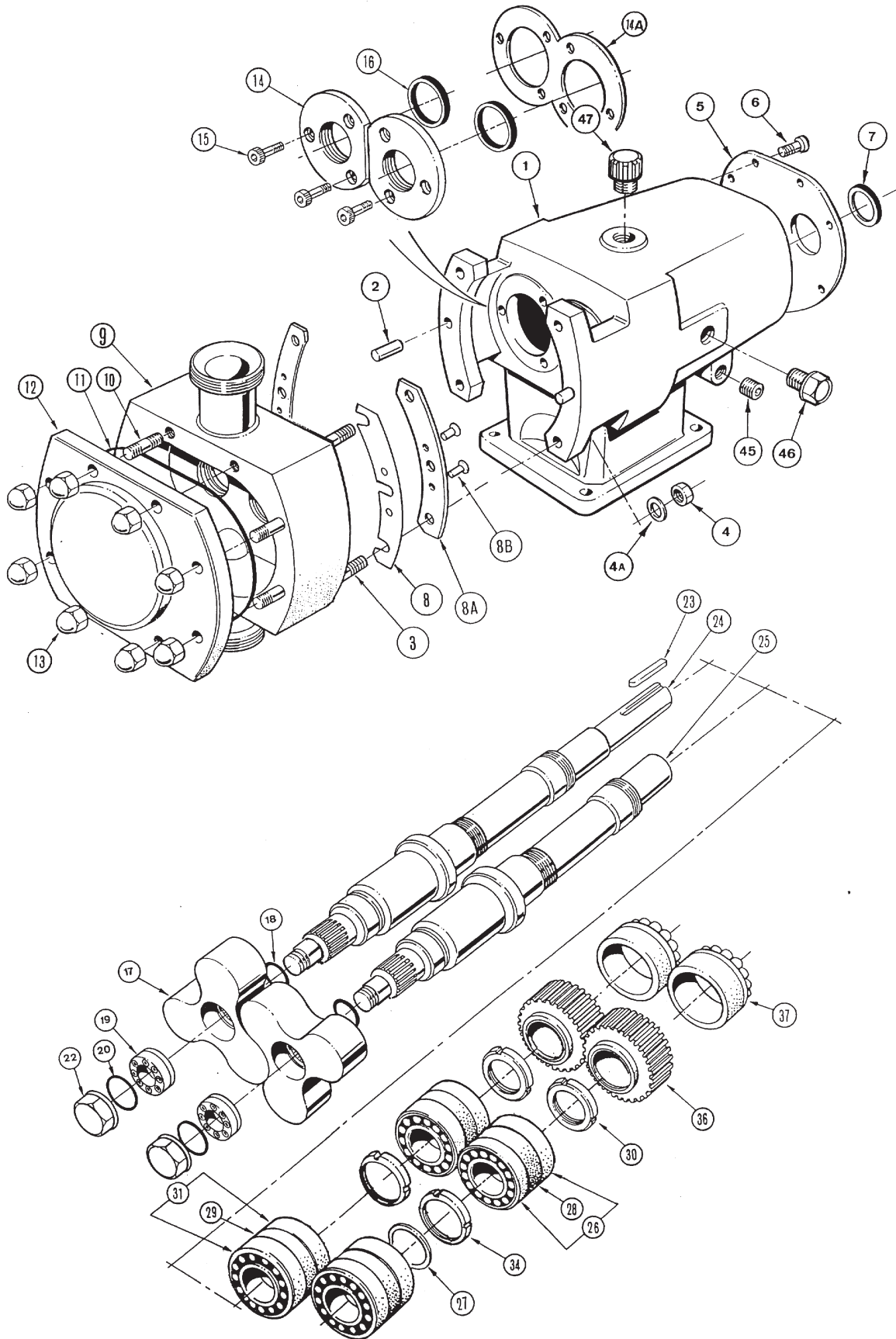
SRU6 Pump Range - Vertically ported

16

Drawing Item No.	Description	Qty	Part No.	Item No.
1	Gearcase	1	5220.329	9630058612
2	Dowel	2	5170.011	9630023467
3	Stud, rotorcase retention	4	6350.139	9630052267
4	Nut, rotorcase retention	4	5330.002	9630024055
4A	Washer, rotorcase retention	4	6400.041	9630024238
5	Cover, gearcase	1	5120.150	9630058651
6	Screw, gearcase cover	5	5990.030	9630024629
7	Lip seal, drive end	NBR FPM	5310.039 5310.072	9630030625 9630032798
8	Shim	Polymex St.stl	6150.160 6150.161	9630033391 9630033392
8A	Shim retainer	2	6150.266	9630051782
8B	Shim retainer screws	4	6000.010	9630050533
9	Rotorcase	1	see page 19-21	see page 19-21
10	Stud, rotorcase/cover retention	8	6350.098	9630030574
11	'O' Ring, cover - plain	NBR FPM EPDM PTFE	1550.277 1551.277 1555.277 1552.277	8831550277 8831551277 8831555277 9630046184
12	Cover, rotorcase	1	5130.316	9630046128
13	Dome nut, rotorcase cover	8	5340.022	9630024088
14	Retainer, seal	2	5560.037	9630026103
14A	Gasket	1	5198.210	9630063101
15	Screw, seal retainer	6	5990.030	9630024629
16	Lip seal, gland end	NBR FPM	5310.044 5310.077	9630030631 9630032803
17	Rotors	2	see page 24	see page 24
18	'O' Ring, rotor sealing shaft end (SS rotor)	NBR FPM EPDM PTFE	1550.143 1551.143 1555.143 1558.143	8831550143 8831551143 8831555143 9630046202
18	'O' Ring, rotor sealing shaft end (rubber rotor)	NBR FPM EPDM	5380.025 5380.026 5380.079	8831550143 9630024125 9630024196
19	Torque locking assembly	2	5615.014	9630029039
20	'O' Ring, rotor sealing nut end	NBR FPM EPDM PTFE	1550.143 1551.143 1555.143 1558.143	8831550143 8831551143 8831555143 9630046202
22	Nut, rotor retention	SRU6/260 SRU6/353	5900.171 5900.172	9630046136 9630046144
23	Key	1	5270.013	9630023940
24	Shaft, drive (Stainless Steel)	R90 Hyclean	6110.553 6110.708	9630030811 9630048167
	Shaft, drive (Duplex)	R90 Hyclean	6110.559 6110.709	9630030814 9630048168
25	Shaft, auxiliary (Stainless Steel)	R90 Hyclean	6100.553 6100.553	9630030813 9630048162
	Shaft, auxiliary (Duplex)	R90 Hyclean	6100.559 6100.709	9630030815 9630048163
26	Bearing, rear	4	5080.017	9630029036
27	Spacer, shaft abutment	1	5670.068.01	9630034661
28	Spacer, bearing drive end	2	5670.051	9630031133
29	Spacer, bearing gland end	2	5670.053	9630031135
30	Nut, bearing rear	2	5340.045	9630029139
31	Bearing, front	4	5080.019	9630029038
34	Nut, bearing front	2	5340.046	9630029140
36	Timing gear	2	5210.035	9630030718
37	Torque locking assembly	2	5615.005	9630024455
45	Drain plug	1	1660.008	9630023548
46	Sight glass	1	5480.001	9630032778
46A	Washer, sight glass	1	31499.5916.1	9630039007
47	Filler plug	1	31491.0052.1	9630018599
48	Plug	1	1660.008	9630023548

Note: Items 50 - 53 detailed on page 25

SRU6 Pump Range - Vertically ported



Rotorcase Options - R90 and Packed Gland Seal

2

SRU 1-3 Pump Models

Port Standard	Size	SRU1/005		Size	SRU1/008	
		Part No.	Item No.		Part No.	Item No.
DIN 11851	1" (25mm)	9037.090S	9630035408	1" (25mm)	9402.090S	9630091092
	1 1/2" (40mm)			1 1/2" (40mm)	9038.091S	9630044839
ISS/IDF	1" (25mm)	9037.042S	9630041360	1" (25mm)	9402.042S	9630091094
	1 1/2" (40mm)			1 1/2" (40mm)	9038.043S	9630032114
RJT	1" (25mm)	9037.034S	9630040936	1" (25mm)	9402.034S	9630090682
	1 1/2" (40mm)			1 1/2" (40mm)	9038.035S	9630027464
SMS	1" (25mm)	9037.074S	9630048554	1" (25mm)	9402.074S	9630091095
	1 1/2" (40mm)			1 1/2" (40mm)	9038.075S	9630035482
Tri-clamp (BS4825)	1" (25mm)	9037.082S	9630034317	1" (25mm)	9402.082S	9630091096
	1 1/2" (40mm)			1 1/2" (40mm)	9038.083S	9630035370

Port Standard	Size	SRU2/013		Size	SRU2/018	
		Part No.	Item No.		Part No.	Item No.
DIN 11851	1" (25mm)	9403.090S	9630091135	1 1/2" (40mm)	9040.276S	9630047060
	1 1/2" (40mm)	9039.091S	9630041522	2" (50mm)	9040.092S	9630044840
ISS/IDF	1" (25mm)	9403.042S	9630091136	1 1/2" (40mm)	9040.318S	9630051111
	1 1/2" (40mm)	9039.043S	9630045665	2" (50mm)	9040.044S	9630034882
RJT	1" (25mm)	9403.034S	9630090684	1 1/2" (40mm)	9040.342S	9630049667
	1 1/2" (40mm)	9039.035S	9630039020	2" (50mm)	9040.036S	9630042855
SMS	1" (25mm)	9403.074S	9630091137	1 1/2" (40mm)	9040.253S	9630047840
	1 1/2" (40mm)	9039.075S	9630039494	2" (50mm)	9040.076S	9630035191
Tri-clamp (BS4825)	1" (25mm)	9403.082S	9630091138	1 1/2" (40mm)	9040.274S	9630050076
	1 1/2" (40mm)	9039.083S	9630034319	2" (50mm)	9040.084S	9630034323

Port Standard	Size	SRU3/027		Size	SRU3/038	
		Part No.	Item No.		Part No.	Item No.
DIN 11851	1 1/2" (40mm)	9041.276S	9630061933	2" (50mm)	9042.235S	9630043521
	2" (50mm)	9041.092S	9630046494	2 1/2" (65mm)	9042.094S	9630033350
ISS/IDF	1 1/2" (40mm)	9041.318S	9630069141	2" (50mm)	9042.233S	9630045797
	2" (50mm)	9041.044S	9630037083	2 1/2" (65mm)	9042.046S	9630045780
RJT	1 1/2" (40mm)	9041.342S	9630052370	2" (50mm)	9042.232S	9630046015
	2" (50mm)	9041.036S	9630035368	2 1/2" (65mm)	9042.038S	9630033412
SMS	1 1/2" (40mm)	9041.253S	9630047805	2" (50mm)	9042.234S	9630049451
	2" (50mm)	9041.076S	9630040720	2 1/2" (65mm)	9042.078S	9630039493
Tri-clamp (BS4825)	1 1/2" (40mm)	9041.274S	9630050075	2" (50mm)	9042.271S	9630050074
	2" (50mm)	9041.084S	9630034320	2 1/2" (65mm)	9042.086S	9630035195

Note: Commonly used port standards are shown above. Other port standards are available on request.

SRU 4-6 Pump Models

Port Standard	Size	SRU4/055		Size	SRU4/079	
		Part No.	Item No.		Part No.	Item No.
DIN 11851	2" (50mm)	9043.235S	9630050860	2 1/2" (65mm)	9408.651S	9630091139
	2 1/2" (65mm)	9043.094S	9630028631	3" (80mm)	9044.151S	9630040420
ISS/IDF	2" (50mm)	9043.233S	9630050954	2 1/2" (65mm)	9408.645S	9630091140
	2 1/2" (65mm)	9043.046S	9630046826	3" (80mm)	9044.139S	9630040340
RJT	2" (50mm)	9043.232S	9630049172	2 1/2" (65mm)	9408.623S	9630087647
	2 1/2" (65mm)	9043.038S	9630033116	3" (80mm)	9044.137S	9630040693
SMS	2" (50mm)	9043.234S	9630051221	2 1/2" (65mm)	9408.649S	9630091141
	2 1/2" (65mm)	9043.078S	9630046955	3" (80mm)	9044.147S	9630035480
Tri-clamp (BS4825)	2" (50mm)	9043.271S	9630051385	2 1/2" (65mm)	9408.650S	9630091142
	2 1/2" (65mm)	9043.086S	9630034321	3" (80mm)	9044.149S	9630025894

Port Standard	Size	SRU5/116		Size	SRU5/168	
		Part No.	Item No.		Part No.	Item No.
DIN 11851	2 1/2" (65mm)	9409.651S	9630091143	3" (80mm)	9410.671S	9630091147
	3" (80mm)	9045.151S	9630046584	4" (100mm)	9046.152S	9630044841
ISS/IDF	2 1/2" (65mm)	9409.645S	9630091144	3" (80mm)	9410.665S	9630091148
	3" (80mm)	9045.139S	9630041749	4" (100mm)	9046.140S	9630027225
RJT	2 1/2" (65mm)	9409.623S	9630087648	3" (80mm)	9410.624S	9630087649
	3" (80mm)	9045.137S	9630037447	4" (100mm)	9046.138S	9630039297
SMS	2 1/2" (65mm)	9409.649S	9630091145	3" (80mm)	9410.669S	9630091149
	3" (80mm)	9045.147S	9630039428	4" (100mm)	9046.148S	9630039495
Tri-clamp (BS4825)	2 1/2" (65mm)	9409.650S	9630091146	3" (80mm)	9410.670S	9630091150
	3" (80mm)	9045.149S	9630034322	4" (100mm)	9046.150S	9630043290

Port Standard	Size	SRU6/260		Size	SRU6/353	
		Part No.	Item No.		Part No.	Item No.
DIN 11851	4" (100mm)	9411.096S	9630091151	4" (100mm)	9412.096S	9630091156
				6" (150mm)	9048.230S	9630049407
ISS/IDF	4" (100mm)	9411.048S	9630091152	4" (100mm)	9412.048S	9630091157
RJT	4" (100mm)	9411.040S	9630091153	4" (100mm)	9412.040S	9630091158
				6" (150mm)	9048.222S	9630046117
SMS	4" (100mm)	9411.080S	9630091154	4" (100mm)	9412.080S	9630091159
Tri-clamp (BS4825)	4" (100mm)	9411.088S	9630091155	4" (100mm)	9412.088S	9630091160
				6" (150mm)	9048.300S	9630046203

Note: Commonly used port standards are shown above. Other port standards are available on request.

Rotorcase Options - Hyclean Seal

SRU 1-3 Pump Models

4

Port Standard	Size	SRU1/005		Size	SRU1/008	
		Part No.	Item No.		Part No.	Item No.
DIN 11851	1" (25mm)	9285.090S	9630054283	1" (25mm)	9414.090S	9630091161
				1 1/2" (40mm)	9286.091S	9630058653
ISS/IDF	1" (25mm)	9285.042S	9630056767	1" (25mm)	9414.042S	9630091162
				1 1/2" (40mm)	9286.043S	9630091166
RJT	1" (25mm)	9285.034S	9630058406	1" (25mm)	9414.034S	9630091163
				1 1/2" (40mm)	9286.035S	9630059916
SMS	1" (25mm)	9285.074S	9630056102	1" (25mm)	9414.074S	9630091164
				1 1/2" (40mm)	9286.075S	9630056103
Tri-clamp (BS4825)	1" (25mm)	9285.082S	9630050788	1" (25mm)	9414.082S	9630091165
				1 1/2" (40mm)	9286.083S	9630053014

Port Standard	Size	SRU2/013		Size	SRU2/018	
		Part No.	Item No.		Part No.	Item No.
DIN 11851	1" (25mm)	9415.090S	9630091167	1 1/2" (40mm)	9212.276S	9630065013
	1 1/2" (40mm)	9211.091S	9630048096	2" (50mm)	9212.092S	9630053711
ISS/IDF	1" (25mm)	9415.042S	9630091168	1 1/2" (40mm)	9212.318S	9630091172
	1 1/2" (40mm)	9211.043S	9630052409	2" (50mm)	9212.044S	9630049311
RJT	1" (25mm)	9415.034S	9630091169	1 1/2" (40mm)	9212.342S	9630091173
	1 1/2" (40mm)	9211.035S	9630050887	2" (50mm)	9212.036S	9630058407
SMS	1" (25mm)	9415.074S	9630091170	1 1/2" (40mm)	9212.253S	9630051172
	1 1/2" (40mm)	9211.075S	9630025246	2" (50mm)	9212.076S	9630025966
Tri-clamp (BS4825)	1" (25mm)	9415.082S	9630091171	1 1/2" (40mm)	9212.274S	9630060346
	1 1/2" (40mm)	9211.083S	9630049282	2" (50mm)	9212.084S	9630049452

Port Standard	Size	SRU3/027		Size	SRU3/038	
		Part No.	Item No.		Part No.	Item No.
DIN 11851	1 1/2" (40mm)	9213.276S	9630091174	2" (50mm)	9214.235S	9630059135
	2" (50mm)	9213.092S	9630053607	2 1/2" (65mm)	9214.094S	9630064742
ISS/IDF	1 1/2" (40mm)	9213.318S	9630091175	2" (50mm)	9214.233S	9630051143
	2" (50mm)	9213.044S	9630048390	2 1/2" (65mm)	9214.046S	9630048042
RJT	1 1/2" (40mm)	9213.342S	9630091176	2" (50mm)	9214.232S	9630076542
	2" (50mm)	9213.036S	9630058140	2 1/2" (65mm)	9214.038S	9630047015
SMS	1 1/2" (40mm)	9213.253S	9630059132	2" (50mm)	9214.234S	9630054697
	2" (50mm)	9213.076S	9630021034	2 1/2" (65mm)	9214.078S	9630047832
Tri-clamp (BS4825)	1 1/2" (40mm)	9213.274S	9630064835	2" (50mm)	9214.271S	9630059760
	2" (50mm)	9213.084S	9630041053	2 1/2" (65mm)	9214.086S	9630049378

Note: Commonly used port standards are shown above. Other port standards are available on request.

Rotorcase Options - Hyclean Seal

SRU 4-6 Pump Models

Port Standard	Size	SRU4/055		Size	SRU4/079	
		Part No.	Item No.		Part No.	Item No.
DIN 11851	2" (50mm)	9215.235S	9630058038	2 1/2" (65mm)	9420.651S	9630091179
	2 1/2" (65mm)	9215.094S	9630056738	3" (80mm)	9216.151S	9630051822
ISS/IDF	2" (50mm)	9215.233S	9630091178	2 1/2" (65mm)	9420.645S	9630091180
	2 1/2" (65mm)	9215.046S	9630050863	3" (80mm)	9216.139S	9630050509
RJT	2" (50mm)	9215.232S	9630020697	2 1/2" (65mm)	9420.623S	9630091184
	2 1/2" (65mm)	9215.038S	9630056284	3" (80mm)	9216.137S	9630054907
SMS	2" (50mm)	9215.234S	9630037077	2 1/2" (65mm)	9420.649S	9630091182
	2 1/2" (65mm)	9215.078S	9630047833	3" (80mm)	9216.147S	9630047834
Tri-clamp (BS4825)	2" (50mm)	9215.271S	9630059224	2 1/2" (65mm)	9420.650S	9630091183
	2 1/2" (65mm)	9215.086S	9630049379	3" (80mm)	9216.149S	9630059310

Port Standard	Size	SRU5/116		Size	SRU5/168	
		Part No.	Item No.		Part No.	Item No.
DIN 11851	2 1/2" (65mm)	9421.651S	9630091186	3" (80mm)	9422.671S	9630091194
	3" (80mm)	9217.151S	9630048336	4" (100mm)	9218.152S	9630049898
ISS/IDF	2 1/2" (65mm)	9421.645S	9630091187	3" (80mm)	9422.665S	9630091195
	3" (80mm)	9217.139S	9630050864	4" (100mm)	9218.140S	9630091199
RJT	2 1/2" (65mm)	9421.623S	9630091188	3" (80mm)	9422.624S	9630091196
	3" (80mm)	9217.137S	9630057931	4" (100mm)	9218.138S	9630049207
SMS	2 1/2" (65mm)	9421.649S	9630091189	3" (80mm)	9422.669S	9630091197
	3" (80mm)	9217.147S	9630047837	4" (100mm)	9218.148S	9630047838
Tri-clamp (BS4825)	2 1/2" (65mm)	9421.650S	9630091190	3" (80mm)	9422.670S	9630091198
	3" (80mm)	9217.149S	9630048868	4" (100mm)	9218.150S	9630056995

Port Standard	Size	SRU6/260		Size	SRU6/353	
		Part No.	Item No.		Part No.	Item No.
DIN 11851	4" (100mm)	9423.096S	9630091200	4" (100mm)	9424.096S	9630091206
				6" (150mm)	9220.230S	9630052121
ISS/IDF	4" (100mm)	9423.048S	9630091202	4" (100mm)	9424.048S	9630091207
RJT	4" (100mm)	9423.040S	9630091203	4" (100mm)	9424.040S	9630091208
				6" (150mm)	9220.222S	9630059131
SMS	4" (100mm)	9423.080S	9630091204	4" (100mm)	9424.080S	9630091209
Tri-clamp (BS4825)	4" (100mm)	9423.088S	9630091205	4" (100mm)	9424.088S	9630091210
				6" (150mm)	9220.300S	9630049316

Note: Commonly used port standards are shown above. Other port standards are available on request.

Rotors

6

SRU 1-2 Pump Models Tri-lobe Rotors

Pump Model Pressure	Maximum Rated Temp. °C	Stainless Steel		NBR Rubber Covered (non 3A)	
		Part No.	Item No.	Part No.	Item No.
SRU1/005 8 bar	70	5712.005G	9630031989	5722.005	9630031495
	130	5712.005H	9630031990	Outside temperature limits i.e. 70 °C max, 100°C intermittent.	
	200	5712.005J	9630031991		
SRU1/008 5 bar	70	5712.008D	9630031995	5722.008	9630031497
	130	5712.008E	9630031996	Outside temperature limits i.e. 70 °C max, 100°C intermittent.	
	200	5712.008F	9630031997		
SRU2/013 10 bar	70	5740.013M	9630046723	5722.013	9630031481
	130	5740.013N	9630040081	Outside temperature limits i.e. 70 °C max, 100°C intermittent.	
	200	5740.018P	9630047747		
SRU2/013 15 bar	70	5740.013T	9630046603	Outside pressure limits i.e. 10 bar max.	
	130	5740.013V	9630047748		
	200	5740.013W	9630047749		
SRU2/018 7 bar	70	5740.018M	9630047243	5722.018	9630031483
	130	5740.018N	9630043480	Outside temperature limits i.e. 70 °C max, 100°C intermittent.	
	200	5740.018P	9630047751		
SRU2/018 10 bar	70	5740.018T	9630048049	5722.018	9630031483
	130	5740.018V	9630048050	Outside temperature limits i.e. 70 °C max, 100°C intermittent.	
	200	5740.018W	9630048051		

Bi-lobe Rotors

Pump Model Pressure	Maximum Rated Temp. °C	Stainless Steel		Non-galling Stainless Steel	
		Part No.	Item No.	Part No.	Item No.
SRU1/005 8 bar	70	5730.005G	9630090563	5761.005G	9630090474
	130	5730.005H	9630090564	5761.005H	9630090475
	200	5730.005J	9630090589	5761.005J	9630090476
SRU1/008 5 bar	70	5730.008D	9630090565	5761.008D	9630090478
	130	5730.008E	9630090566	5761.008E	9630090479
	200	5730.008F	9630090567	5761.008F	9630090481
SRU2/013 10 bar	70	5741.013M	9630090571	5761.013M	9630090482
	130	5741.013N	9630090571	5761.013N	9630090483
	200	5741.018P	9630090573	5761.013P	9630090484
SRU2/013 15 bar	70	5741.013T	9630090574	5761.013T	9630090485
	130	5741.013V	9630090575	5761.013V	9630090486
	200	5741.013W	9630090576	5761.013W	9630090487
SRU2/018 7 bar	70	5741.018M	9630090577	5761.018M	9630090488
	130	5741.018N	9630090578	5761.018N	9630090489
	200	5741.018P	9630090579	5761.018P	9630090490
SRU2/018 10 bar	70	5741.018T	9630090599	5761.018T	9630090491
	130	5741.018V	9630090580	5761.018V	9630090492
	200	5741.018W	9630090	5761.018W	9630090493

SRU 3-4 Pump Models Tri-lobe Rotors

Pump Model Pressure	Maximum Rated Temp. °C	Stainless Steel		NBR Rubber Covered (non 3A)	
		Part No.	Item No.	Part No.	Item No.
SRU3/027 10 bar	70	5740.027M	9630046726	5722.027	9630021284
	130	5740.027N	9630032535	Outside temperature limits i.e. 70 °C max, 100°C intermittent.	
	200	5740.027P	9630046365		
SRU3/027 15 bar	70	5740.027T	9630047194	Outside pressure limits i.e. 10 bar max.	
	130	5740.027V	9630046354		
	200	5740.027W	9630047752		
SRU3/038 7 bar	70	5740.038M	9630027757	5722.038	9630026256
	130	5740.038N	9630039955	Outside temperature limits i.e. 70 °C max, 100°C intermittent.	
	200	5740.038P	9630048052		
SRU3/038 10 bar	70	5740.038T	9630047753	5722.038	9630026256
	130	5740.038V	9630048053	Outside temperature limits i.e. 70 °C max, 100°C intermittent.	
	200	5740.038W	9630048054		
SRU4/055 10 bar	70	5740.055D	9630046158	5722.055	9630027382
	130	5740.055E	9630044012	Outside temperature limits i.e. 70 °C max, 100°C intermittent.	
	200	5740.055F	9630046289		
SRU4/055 20 bar	70	5740.055K	9630034398	Outside pressure limits i.e. 10 bar max.	
	130	5740.055L	9630046964		
	200	5740.055M	9630046996		
SRU4/079 7 bar	70	5740.079D	9630046159	5722.079	9630027172
	130	5740.079E	9630039235	Outside temperature limits i.e. 70 °C max, 100°C intermittent.	
	200	5740.079F	9630028324		
SRU4/079 15 bar	70	5740.079K	9630018802	Outside pressure limits i.e. 10 bar max.	
	130	5740.079L	9630048055		
	200	5740.079M	9630048056		

Bi-lobe Rotors

Pump Model Pressure	Maximum Rated Temp. °C	Stainless Steel		Non-galling Stainless Steel	
		Part No.	Item No.	Part No.	Item No.
SRU3/027 10 bar	70	5741.027M	9630090584	5761.027M	9630090415
	130	5741.027N	9630090585	5761.027N	9630090416
	200	5741.027P	9630090586	5761.027P	9630090417
SRU3/027 15 bar	70	5741.027T	9630090588	5761.027T	9630090418
	130	5741.027V	9630090589	5761.027V	9630090419
	200	5741.027W	9630090600	5761.027W	9630090420
SRU3/038 7 bar	70	5741.038M	9630090540	5761.038M	9630090494
	130	5741.038N	9630090539	5761.038N	9630090495
	200	5741.038P	9630090542	5761.038P	9630090496
SRU3/038 10 bar	70	5741.038T	9630090544	5761.038T	9630090497
	130	5741.038V	9630090545	5761.038V	9630090498
	200	5741.038W	9630090546	5761.038W	9630090499
SRU4/055 10 bar	70	5741.055D	9630090601	5761.055D	9630090500
	130	5741.055E	9630090603	5761.055E	9630090501
	200	5741.055F	9630090604	5761.055F	9630090502
SRU4/055 20 bar	70	5741.055K	9630090605	5761.055K	9630090503
	130	5741.055L	9630090606	5761.055L	9630090504
	200	5741.055M	9630090607	5761.055M	9630090505
SRU4/079 7 bar	70	5741.079D	9630090608	5761.079D	9630090506
	130	5741.079E	9630090609	5761.079E	9630090507
	200	5741.079F	9630090610	5761.079F	9630090508
SRU4/079 15 bar	70	5741.079K	9630090611	5761.079K	9630090509
	130	5741.079L	9630090612	5761.079L	9630090510
	200	5741.079M	9630090613	5761.079M	9630090511

Rotors

SRU 5-6 Pump Models

Tri-lobe Rotors

Pump Model Pressure	Maximum Rated Temp. °C	Stainless Steel		NBR Rubber Covered (non 3A)	
		Part No.	Item No.	Part No.	Item No.
SRU5/116 10 bar	70	5740.116D	9630046161	5722.116	9630021349
	130	5740.116E	9630047513	Outside temperature limits i.e. 70 °C max, 100°C intermittent.	
	200	5740.116F	9630048057		
SRU5/116 20 bar	70	5740.116K	9630046611	Outside pressure limits i.e. 10 bar max.	
	130	5740.116L	9630048058		
	200	5740.11M	9630048059		
SRU5/168 7 bar	70	5740.168D	9630046162	5722.168	9630022562
	130	5740.168E	9630035491	Outside temperature limits i.e. 70 °C max, 100°C intermittent.	
	200	5740.168F	9630048060		
SRU5/168 15 bar	70	5740.168K	9630046607	Outside pressure limits i.e. 10 bar max.	
	130	5740.168L	9630048061		
	200	5740.168M	9630048062		
SRU6/260 10 bar	70	5740.260D	9630088940	-	-
	130	5740.260E	9630088964	Outside temperature limits i.e. 70 °C max, 100°C intermittent.	
	200	5740.260F	9630088965		
SRU6/260 20 bar	70	5740.260K	9630088966	Outside pressure limits i.e. 10 bar max.	
	130	5740.260L	9630088967		
	200	5740.260M	9630088968		
SRU6/353 7 bar	70	5740.353D	9630046164	5722.353	9630029892
	130	5740.353E	9630021847	Outside temperature limits i.e. 70 °C max, 100°C intermittent.	
	200	5740.353F	9630049090		
SRU6/353 15 bar	70	5740.353K	9630048560	Outside pressure limits i.e. 10 bar max.	
	130	5740.353L	9630020871		
	200	5740.353M	9630057067		

Bi-lobe Rotors

Pump Model Pressure	Maximum Rated Temp. °C	Stainless Steel		Non-galling Stainless Steel	
		Part No.	Item No.	Part No.	Item No.
SRU5/116 10 bar	70	5741.116D	9630090615	5761.116D	9630090512
	130	5741.116E	9630090616	5761.116E	9630090513
	200	5741.116F	9630090617	5761.116F	9630090514
SRU5/116 20 bar	70	5741.116K	9630090618	5761.116K	9630090515
	130	5741.116L	9630090619	5761.116L	9630090516
	200	5741.116M	9630090620	5761.116M	9630090517
SRU5/168 7 bar	70	5741.168D	9630090621	5761.168D	9630090518
	130	5741.168E	9630090622	5761.168E	9630090519
	200	5741.168F	9630090623	5761.168F	9630090520
SRU5/168 15 bar	70	5741.168K	9630090624	5761.168K	9630090521
	130	5741.168L	9630090625	5761.168L	9630090522
	200	5741.168M	9630090626	5761.168M	9630090523
SRU6/260 10 bar	70	5741.260D	9630089843	5761.260D	9630090549
	130	5741.260E	9630090627	5761.260E	9630090550
	200	5741.260F	9630090628	5761.260F	9630090551
SRU6/260 20 bar	70	5741.260K	9630090629	5761.260K	9630090552
	130	5741.260L	9630090630	5761.260L	9630090553
	200	5741.260M	9630090631	5761.260M	9630090554
SRU6/353 7 bar	70	5741.353D	9630090632	5761.353D	9630090532
	130	5741.353E	9630090633	5761.353E	9630090533
	200	5741.353F	9630090634	5761.353F	9630090534
SRU6/353 15 bar	70	5741.353K	9630090635	5761.353K	9630090535
	130	5741.353L	9630090636	5761.353L	9630090536
	200	5741.353M	9630090637	5761.353M	9630090537

SRU1-2 Pump Models

Dwg Item No.	Description	Qty	SRU1		SRU2	
			Part No.	Item No.	Part No.	Item No.
50	Gland guard	2	5243.111	9630089811	5243.112	9630089812
51	Screw, gland guard	4	5990.045	9630030332	5990.045	9630030332
52	Washer, gland guard	4	6400.046	9630030121	6400.046	9630030121
53	Washer, gland guard	4	31499.5903.3	9630039001	31499.5903.3	9630039001

Items illustrated on pump drawing pages 3 and 5.

SRU3-4 Pump Models

Dwg Item No.	Description	Qty	SRU3		SRU4	
			Part No.	Item No.	Part No.	Item No.
50	Gland guard	2	5243.113	9630089813	5243.114	9630089814
51	Screw, gland guard	4	5990.045	9630030332	5990.045	9630030332
52	Washer, gland guard	4	6400.046	9630030121	6400.046	9630030121
53	Washer, gland guard	4	31499.5903.3	9630039001	31499.5903.3	9630039001

Items illustrated on pump drawing pages 7 and 9.

SRU5-6 Pump Models (Horizontally Ported)

Dwg Item No.	Description	Qty	SRU5		SRU6	
			Part No.	Item No.	Part No.	Item No.
50	Gland guard	2	5243.115	9630089888	5243.116	9630089889
51	Screw, gland guard	2	5990.066	9630028936	5990.066	9630028936
52	Washer, gland guard	2	6400.036	9630024231	6400.036	9630024231
53	Washer, gland guard	2	31499.5903.3	9630039001	31499.5903.3	9630039001

Items not illustrated on pump drawings pages 11 and 15.

SRU5-6 Pump Models (Vertically Ported)

Dwg Item No.	Description	Qty	SRU5		SRU6	
			Part No.	Item No.	Part No.	Item No.
50	Gland guard, upper	1	5243.115	9630089888	5243.116	9630089889
50A	Gland guard, lower	1	5243.117	9630090985	5243.118	9630090986
51	Screw, gland guard	3	5990.066	9630028936	5990.066	9630028936
52	Washer, gland guard	3	6400.036	9630024231	6400.036	9630024231
53	Washer, gland guard	3	31499.5903.3	9630039001	31499.5903.3	9630039001

Items not illustrated on pump drawings pages 13 and 17.

R90 Single Mechanical Seals (Complete)

SRU1 - 2 Pump Models

2 Seals per pump, it is recommended to replace both sets of seals when wear dictates seal replacement.

10

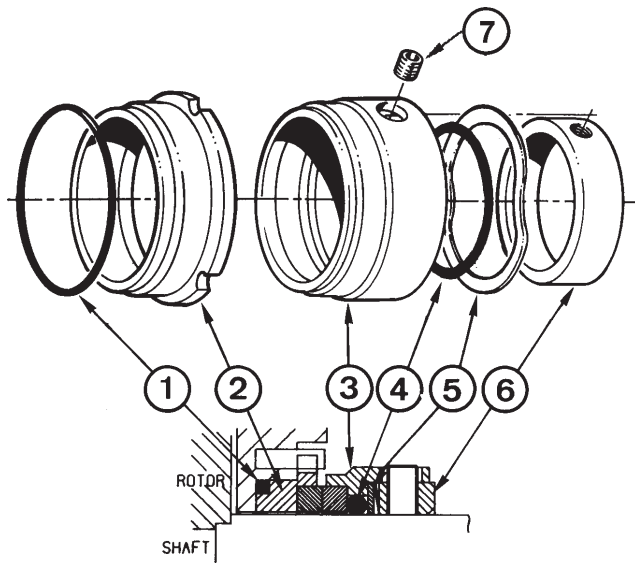
Seal Material Combinations				SRU1 SRU2	
Rotary Seal Ring / Stationary Seal Ring	'O' rings	Part No.	Item No.	Part No.	Item No.
Stainless Steel / Carbon	NBR	7400.101N	9630032046	7400.102N	9630033227
	EPDM	7400.101E	9630026348	7400.102E	9630033228
	FPM	7400.101V	9630032577	7400.102V	9630032841
	PTFE	7400.101P	9630033226	7400.102P	9630033229
Stainless Steel / Inserted Carbon	NBR	7400.141N	9630032044	7400.142N	9630033248
	EPDM	7400.141E	9630033246	7400.142E	9630033250
	FPM	7400.141V	9630033245	7400.142V	9630033249
	PTFE	7400.141P	9630033247	7400.142P	9630033251
Tungsten Carbide / Inserted Carbon	NBR	7400.161N	9630032048	7400.162N	9630033268
	EPDM	7400.161E	9630033274	7400.162E	9630033277
	FPM	7400.161V	9630033273	7400.162V	9630033276
	PTFE	7400.161P	9630033275	7400.162P	9630033278
Tungsten Carbide / Tungsten Carbide	NBR	7400.171N	9630032049	7400.172N	9630032473
	EPDM	7400.171E	9630033296	7400.172E	9630033299
	FPM	7400.171V	9630033295	7400.172V	9630033298
	PTFE	7400.171P	9630033297	7400.172P	9630033300
Silicon Carbide / Inserted Carbon	NBR	7400.191N	9630090695	7400.192N	9630090697
	EPDM	7400.191E	9630090694	7400.192E	9630090696
	FPM	7400.191V	9630069887	7400.192V	9630024870
	PTFE	7400.191P	9630071429	7400.192P	9630090698
Silicon Carbide / Silicon Carbide	NBR	7400.201N	9630032051	7400.202N	9630022584
	EPDM	7400.201E	9630056727	7400.202E	9630060647
	FPM	7400.201V	9630035318	7400.202V	9630060084
	PTFE	7400.201P	9630090693	7400.202P	9630030257

Additional parts to convert above R90 seals to Single flushed seals:

Description	Drawing Item No.	Qty	SRU1		SRU2	
			Part No.	Item No.	Part No.	Item No.
Flush conversion kit BSPT connections	-	1	4010.331A	9630091217	4010.332A	9630091220
Flush conversion kit NPT connections	-	1	4010.331B	9630091218	4010.332B	9630091221
Spacer 'O'ring (FPM)	7	2	5380.319	9630034859	5380.053	9630024181
Spacer	8	2	5670.109	9630033407	5670.070	9630028683
Lip Seal (FPM)	11	2	5310.123	9630061801	5310.124	9630061802
Seal Housing. BSPT	10	2	5265.224AA	9630028370	5265.305A	9630032706
Seal Housing. NPT	10	2	5265.244BA	9630045526	5265.305B	9630045913
Gasket	9	2	5198.099	9630034866	5198.100	9630031523
Studs		4	6350.112	9630033405	6350.102	9630027474
Washer		4	6400.046	9630030121	6400.036	9630024231
Hexagon Nuts		4	5330.007	9630024061	5330.003	9630024057

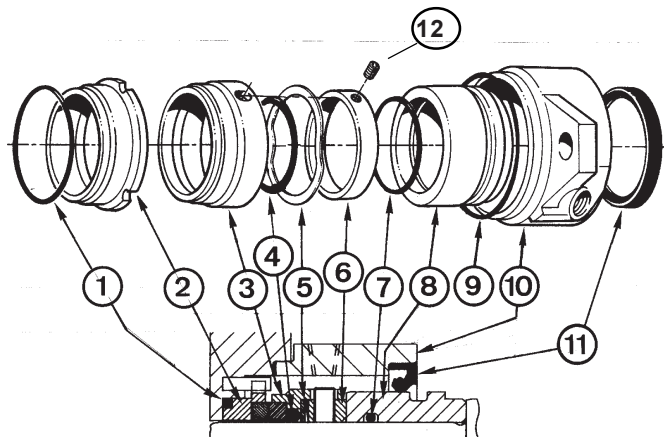
R90 Single Mechanical Seal

Item	Description
1	Stationary seal ring o-ring
2	Stationary seal ring
3	Rotary seal ring
4	Rotary seal ring o-ring
5	Wave spring
6	Drive ring
7	Grub screw
8	Washer (not shown)



R90 Single Flushed Mechanical Seal

Item	Description
1	Stationary seal ring o-ring
2	Stationary seal ring
3	Rotary seal ring
4	Rotary seal ring o-ring
5	Wave spring
6	Drive ring
7	Spacer o-ring
8	Spacer
9	Gasket
10	Seal housing
11	Lip seal
12	Grub screw



R90 Single Mechanical Seals (Complete)

SRU3 - 4 Pump Models

2 Seals per pump, it is recommended to replace both sets of seals when wear dictates seal replacement.

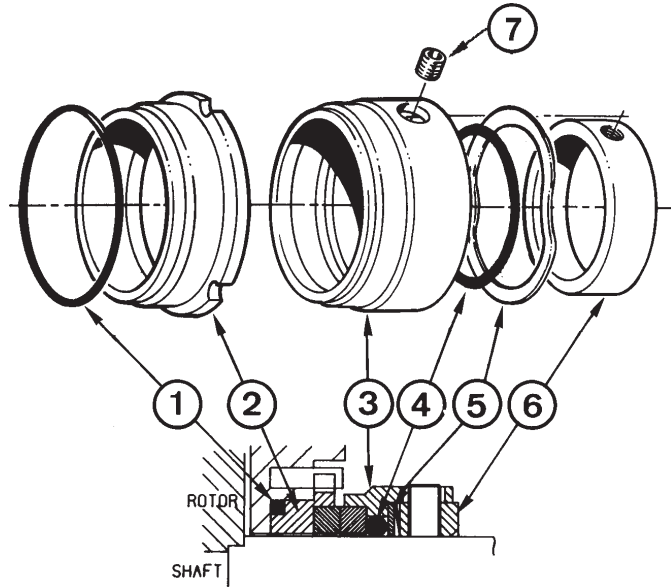
Seal Material Combinations				SRU3 SRU4	
Rotary Seal Ring / Stationary Seal Ring	'O' rings	Part No.	Item No.	Part No.	Item No.
Stainless Steel / Carbon	NBR	7400.103N	9630033230	7400.104N	9630033114
	EPDM	7400.103E	9630033231	7400.104E	9630033233
	FPM	7400.103V	9630032908	7400.104V	9630032968
	PTFE	7400.103P	9630033232	7400.104P	9630033234
Stainless Steel / Inserted Carbon	NBR	7400.143N	9630033252	7400.144N	9630033253
	EPDM	7400.143E	9630033257	7400.144E	9630033260
	FPM	7400.143V	9630033256	7400.144V	9630033259
	PTFE	7400.143P	9630033258	7400.144P	9630033261
Tungsten Carbide / Inserted Carbon	NBR	7400.163N	9630033269	7400.164N	9630033270
	EPDM	7400.163E	9630033280	7400.164E	9630033283
	FPM	7400.163V	9630033279	7400.164V	9630033282
	PTFE	7400.163P	9630033281	7400.164P	9630033284
Tungsten Carbide / Tungsten Carbide	NBR	7400.173N	9630033291	7400.174N	9630033292
	EPDM	7400.173E	9630033302	7400.174E	9630033305
	FPM	7400.173V	9630033301	7400.174V	9630033304
	PTFE	7400.173P	9630033303	7400.174P	9630033306
Silicon Carbide / Inserted Carbon	NBR	7400.193N	9630090699	7400.194N	9630042382
	EPDM	7400.193E	9630073216	7400.194E	9630087140
	FPM	7400.193V	9630090700	7400.194V	9630031835
	PTFE	7400.193P	9630090701	7400.194P	9630057619
Silicon Carbide / Silicon Carbide	NBR	7400.203N	9630043322	7400.204N	9630090702
	EPDM	7400.203E	9630050713	7400.204E	9630061483
	FPM	7400.203V	9630035405	7400.204V	9630045054
	PTFE	7400.203P	9630073421	7400.204P	9630039376

Additional parts to convert above R90 seals to Single flushed seals:

Description	Drawing Item No.	Qty	SRU3		SRU4	
			Part No.	Item No.	Part No.	Item No.
Flush conversion kit BSPT connections	-	2	4010.333A	9630091222	4010.334A	9630091224
Flush conversion kit NPT connections	-	2	4010.333B	9630091223	4010.334B	9630091225
Conversion kits comprising of :-						
Spacer O'ring (FPM)	7	2	5380.019	9630024118	5380.275	9630027643
Spacer	8	2	5670.108	9630033143	5670.074	9630028655
Lip Seal (FPM)	11	2	5310.125	9630061803	5310.126	9630061804
Seal Housing. BSPT	10	2	5265.306A	9630039927	5265.307A	9630032692
Seal Housing. NPT	10	2	5265.306B	9630046010	5265.307B	9630045824
Gasket	9	2	5198.101	9630031471	5198.102	9630031351
Studs		4	6350.102	9630027474	6350.104	9630019863
Washer		4	6400.036	9630024231	6400.037	9630024233
Hexagon Nuts		4	5330.003	9630024057	5330.000	9630024051

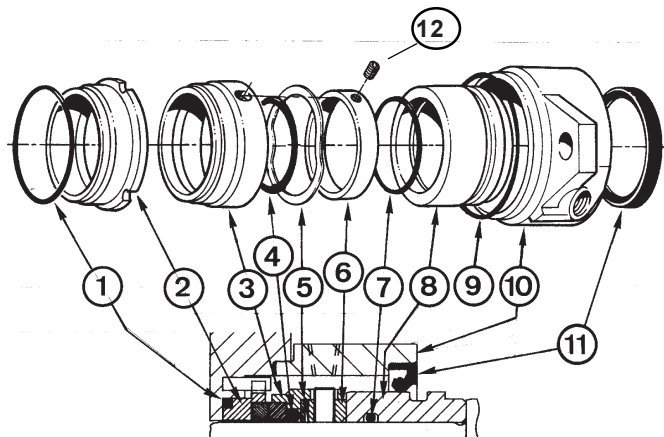
R90 Single Mechanical Seal

Item	Description
1	Stationary seal ring o-ring
2	Stationary seal ring
3	Rotary seal ring
4	Rotary seal ring o-ring
5	Wave spring
6	Drive ring
7	Grub screw
8	Washer (not shown)



R90 Single Flushed Mechanical Seal

Item	Description
1	Stationary seal ring o-ring
2	Stationary seal ring
3	Rotary seal ring
4	Rotary seal ring o-ring
5	Wave spring
6	Drive ring
7	Spacer o-ring
8	Spacer
9	Gasket
10	Seal housing
11	Lip seal
12	Grub screw



R90 Single Mechanical Seals (Complete)

14

SRU5 - 6 Pump Models

2 Seals per pump, it is recommended to replace both sets of seals when wear dictates seal replacement.

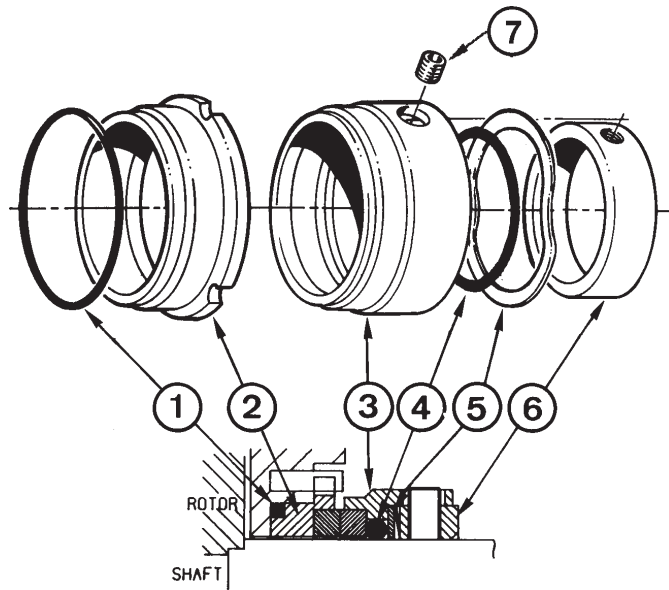
Seal Material Combinations		SRU5		SRU6	
Rotary Seal Ring / Stationary Seal Ring	'O' rings	Part No.	Item No.	Part No.	Item No.
Stainless Steel / Carbon	NBR	7400.105N	9630033117	7400.106N	9630033237
	EPDM	7400.105E	9630033235	7400.106E	9630033239
	FPM	7400.105V	9630033118	7400.106V	9630033238
	PTFE	7400.105P	9630033236	7400.106P	9630033240
Stainless Steel / Inserted Carbon	NBR	7400.145N	9630033254	7400.146N	9630033255
	EPDM	7400.145E	9630033263	7400.146E	9630033266
	FPM	7400.145V	9630033262	7400.146V	9630033265
	PTFE	7400.145P	9630033264	7400.146P	9630033267
Tungsten Carbide / Inserted Carbon	NBR	7400.165N	9630033271	7400.166N	9630033272
	EPDM	7400.165E	9630033286	7400.166E	9630033289
	FPM	7400.165V	9630033285	7400.166V	9630033288
	PTFE	7400.165P	9630033287	7400.166P	9630033290
Tungsten Carbide / Tungsten Carbide	NBR	7400.175N	9630033293	7400.176N	9630033294
	EPDM	7400.175E	9630033308	7400.176E	9630033311
	FPM	7400.175V	9630033307	7400.176V	9630033310
	PTFE	7400.175P	9630033309	7400.176P	9630033312
Silicon Carbide / Inserted Carbon	NBR	7400.195N	9630087180	7400.196N	9630090707
	EPDM	7400.195E	9630090703	7400.196E	9630032866
	FPM	7400.195V	9630090704	7400.196V	9630028988
	PTFE	7400.195P	9630085989	7400.196P	9630069377
Silicon Carbide / Silicon Carbide	NBR	7400.205N	9630062756	7400.206N	9630090705
	EPDM	7400.205E	9630057537	7400.206E	9630077819
	FPM	7400.205V	9630045055	7400.206V	9630032232
	PTFE	7400.205P	9630045555	7400.206P	9630090706

Additional parts to convert Above R90 seals to Single flushed seals:

Description	Drawing Item No.	Qty	SRU5		SRU6	
			Part No.	Item No.	Part No.	Item No.
Flush conversion kit BSPT connections	-	2	4010.335A	9630091227	4010.336A	9630091229
Flush conversion kit NPT connections	-	2	4010.335B	9630091228	4010.336B	9630091230
Conversion kits comprising of :-						
Spacer O'ring (FPM)	7	2	5380.077	9630024194	5380.158	9630024289
Spacer	8	2	5670.076	9630028628	5670.078	9630028608
Lip Seal (FPM)	11	2	5310.127	9630061805	5310.033	9630028405
Seal Housing. BSPT	10	2	5265.308A	9630022756	5265.309A	9630032590
Seal Housing. NPT	10	2	5365.308B	9630045839	5265.309B	9630046167
Gasket	9	2	5198.103	9630031077	5198.104	9630030911
Studs		4	6350.105	9630027485	6350.105	9630027485
Washer		4	6400.037	9630024233	6400.037	9630024233
Hexagon Nuts		4	5330.000	9630024051	5330.000	9630024051

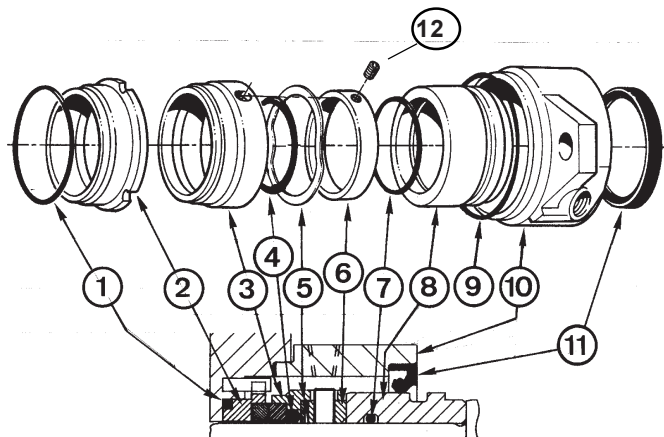
R90 Single Mechanical Seal

Item	Description
1	Stationary seal ring o-ring
2	Stationary seal ring
3	Rotary seal ring
4	Rotary seal ring o-ring
5	Wave spring
6	Drive ring
7	Grub screw
8	Washer (not shown)



R90 Single Flushed Mechanical Seal

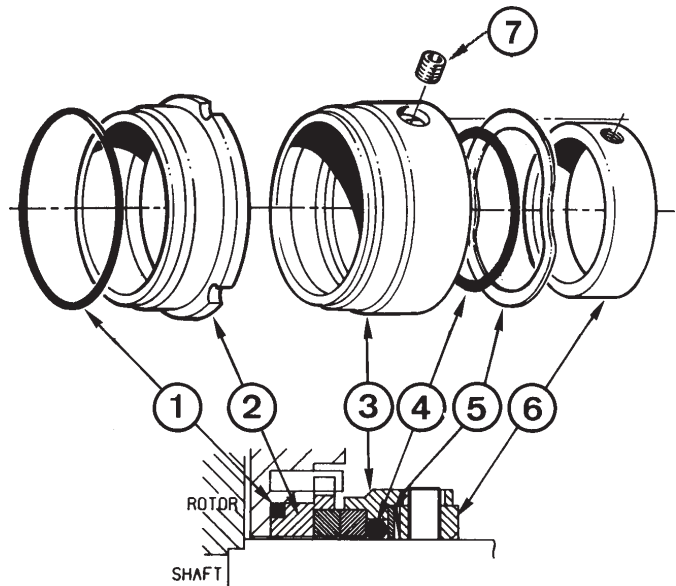
Item	Description
1	Stationary seal ring o-ring
2	Stationary seal ring
3	Rotary seal ring
4	Rotary seal ring o-ring
5	Wave spring
6	Drive ring
7	Spacer o-ring
8	Spacer
9	Gasket
10	Seal housing
11	Lip seal
12	Grub screw



R90 Single Mechanical Seals (Parts)

16

Item	Description
1	Stationary seal ring o-ring
2	Stationary seal ring
3	Rotary seal ring
4	Rotary seal ring o-ring
5	Wave spring
6	Drive ring
7	Grub screw
8	Washer (not shown)



SRU1-2 Pump Models

Dwg Item No. No.	Description	Material	Qty	SRU1		SRU2	
				Part No.	Item No.	Part No.	Item No.
1	Stationary Seal Ring 'O'ring	NBR	2	5380.214	9630028449	5380.222	9630027299
		EPDM	2	5380.218	9630027782	5380.226	9630028377
		FPM	2	5380.216	9630028447	5380.224	9630028379
		PTFE	2	5380.220	9630019763	5380.228	9630028374
2	Stationary Seal Ring	Solid Carbon	2	R5630.066	9630026215	R5630.067	9630026164
		Inserted Carbon	2	R5630.060	9630025257	R5630.061	9630025258
		Tungsten Carbide	2	R5630.072	9630029728	R5630.073	9630026168
		Silicon Carbide	2	R5630.078	9630026003	R5630.079	9630044552
3/5/6/7/8	Rotary Seal Assembly	Stainless Steel	2	R7400.121	9630030218	R7400.122	9630030219
		Tungsten Carbide	2	R7400.131	9630026464	R7400.132	9630026570
		Silicon Carbide	2	R7400.181	9630027025	R7400.182	9630027024
4	Rotary Seal Ring 'O'ring	NBR	2	5380.213	9630028460	5380.221	9630027301
		EPDM	2	5380.217	9630028446	5380.225	9630028378
		FPM	2	5380.215	9630028448	5380.223	9630028380
		PTFE	2	5380.219	9630028382	5380.227	9630028375

Note: Rotary seal assembly comprises of rotary seal ring, drive ring, wave spring, grub screw and washer

SRU3-4 Pump Models

Dwg Item No. No.	Description	Material	Qty	SRU3		SRU4	
				Part No.	Item No.	Part No.	Item No.
1	Stationary Seal Ring'O'ring	NBR	2	5380.230	9630028368	5380.238	9630028260
		EPDM	2	5380.234	9630028321	5380.242	9630025642
		FPM	2	5380.232	9630028357	5380.240	9630027472
		PTFE	2	5380.236	9630028266	5380.244	9630026096
2	Stationary Seal Ring	Solid Carbon	2	R5630.068	9630026163	R5630.069	9630017815
		Inserted Carbon	2	R5630.062	9630026162	R5630.063	9630035092
		Tungsten Carbide	2	R5630.074	9630017810	R5630.075	9630026167
		Silicon Carbide	2	R5630.080	9630027021	R5630.081	9630027020
3/5/6/7/8	Rotary Seal Assembly	Stainless Steel	2	R7400.123	9630026877	R7400.124	9630026882
		Tungsten Carbide	2	R7400.133	9630026569	R7400.134	9630026585
		Silicon Carbide	2	R7400.183	9630027023	R7400.184	9630045909
4	Rotary Seal Ring'O'ring	NBR	2	5380.149	9630024280	5380.237	9630028263
		EPDM	2	5380.093	9630024206	5380.241	9630025646
		FPM	2	5380.101	9630024214	5380.239	9630021115
		PTFE	2	5380.123	9630024254	5380.243	9630026094

SRU5-6 Pump Models

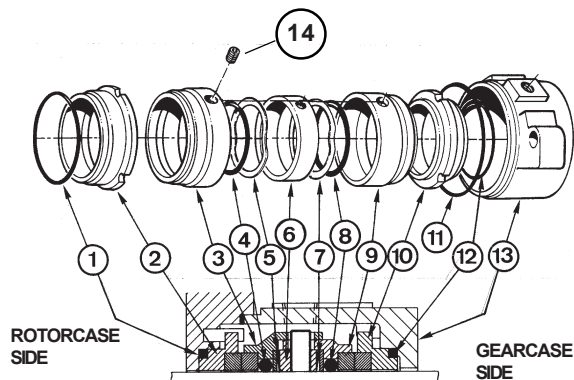
Dwg Item No. No.	Description	Material	Qty	SRU5		SRU6	
				Part No.	Item No.	Part No.	Item No.
1	Stationary Seal Ring'O'ring	NBR	2	5380.246	9630025417	5380.254	9630027486
		EPDM	2	5380.250	9630025437	5380.258	9630029893
		FPM	2	5380.248	9630025398	5380.256	9630029897
		PTFE	2	5380.252	9630025846	5380.260	9630029885
2	Stationary Seal Ring	Solid Carbon	2	R5630.070	9630026196	R5630.071	9630029729
		Inserted Carbon	2	R5630.064	9630026207	R5630.065	9630026165
		Tungsten Carbide	2	R5630.076	9630026219	R5630.077	9630026193
		Silicon Carbide	2	R5630.082	9630044328	R5630.083	9630027019
3/5/6/7/8	Rotary Seal Assembly	Stainless Steel	2	R7400.125	9630026172	R7400.126	9630026449
		Tungsten Carbide	2	R7400.135	9630026584	R7400.136	9630022294
		Silicon Carbide	2	R7400.185	9630027022	R7400.186	9630046520
4	Rotary Seal Ring'O'ring	NBR	2	5380.245	9630026648	5380.253	9630026625
		EPDM	2	5380.249	9630025314	5380.257	9630029896
		FPM	2	5380.247	9630025438	5380.255	9630026693
		PTFE	2	5380.251	9630026704	5380.259	9630029889

Note: Rotary seal assembly comprises of rotary seal ring, drive ring, wave spring, grub screw and washer

R90 Double Mechanical Seals (Parts)

20

Item	Description
1	Stationary seal ring o-ring
2	Stationary seal ring
3	Rotary seal ring
4	Rotary seal ring o-ring
5	Wave spring
5A	Washer (not shown)
6	Drive ring
7	Wave spring
7A	Washer (not shown)
8	Rotary seal ring o-ring
9	Rotary seal ring
10	Stationary seal ring
11	Gasket
12	Stationary seal ring o-ring
13	Seal housing
14	Grub screw



SRU1-2 Pump Models

Dwg Item No.	Description	Material	Qty	SRU1		SRU2	
				Part No.	Item No.	Part No.	Item No.
1 / 12	Stationary Seal Ring 'O'ring	NBR	2 / 2	5380.214	9630028449	5380.222	9630027299
		EPDM	2 / 2	5380.218	9630027782	5380.226	9630028377
		FPM	2 / 2	5380.216	9630028447	5380.224	9630028379
		PTFE	2 / 2	5380.220	9630019763	5380.228	9630028374
2 / 10	Stationary Seal Ring (inboard or outboard position)	Solid Carbon	2 / 2	R5630.066	9630026215	R5630.067	9630026164
		Inserted Carbon	2 / 2	R5630.060	9630025257	R5630.061	9630025258
		Tungsten Carbide	2 / 2	R5630.072	9630029728	R5630.073	9630026168
		Silicon Carbide	2 / 2	R5630.078	9630026003	R5630.079	9630044552
3	Rotary Seal Assembly (inboard)	Stainless steel	2	R7400.121	9630030218	R5610.080	9630025252
		Tungsten Carbide	2	R7400.131	9630026464	R5610.086	9630026209
		Silicon Carbide	2	R7400.181	9630027025	R5610.092	9630044551
4 / 8	Rotary Seal Ring 'O'ring	NBR	2 / 2	5380.213	9630028460	5380.221	9630027301
		EPDM	2 / 2	5380.217	9630028446	5380.225	9630028378
		FPM	2 / 2	5380.215	9630028448	5380.223	9630028380
		PTFE	2 / 2	5380.219	9630028382	5380.227	9630028375
9	Rotary Seal Assembly (outboard)	Stainless steel	2	R5610.079	9630025251	R7400.122	9630030219
		Tungsten Carbide	2	R5610.085	9630030106	R7400.132	9630026570
		Silicon Carbide	2	R5610.091	9630027018	R7400.182	9630027024

Note: SRU1 pump - Rotary seal assembly (Inboard) comprises of items 3, 5, 5A, 6 and 14. Rotary seal assembly (outboard) comprises of items 7, 7A and 9.

SRU2 pump - Rotary seal assembly (Inboard) comprises of items 3, 5, 5A and 6. Rotary seal assembly (outboard) comprises of items 7, 7A, 9 and 14.

R90 Double Mechanical Seals (Parts)

SRU3-4 Pump Models

Dwg Item No.	Description	Material	Qty	SRU3		SRU4	
				Part No.	Item No.	Part No.	Item No.
1 / 12	Stationary Seal Ring 'O'ring	NBR	2 / 2	5380.230	9630028368	5380.238	9630028260
		EPDM	2 / 2	5380.234	9630028321	5380.242	9630025642
		FPM	2 / 2	5380.232	9630028357	5380.240	9630027472
		PTFE	2 / 2	5380.236	9630028266	5380.244	9630026096
2 / 10	Stationary Seal Ring (inboard or outboard position)	Solid Carbon	2 / 2	R5630.068	9630026163	R5630.069	9630017815
		Inserted Carbon	2 / 2	R5630.062	9630026162	R5630.063	9630035092
		Tungsten Carbide	2 / 2	R5630.074	9630017810	R5630.075	9630026167
		Silicon Carbide	2 / 2	R5630.080	9630027021	R5630.081	9630027020
3	Rotary Seal Assembly (inboard)	Stainless steel	2	R5610.081	9630026160	R5610.082	9630025253
		Tungsten Carbide	2	R5610.087	9630025255	R5610.088	9630026217
		Silicon Carbide	2	R5610.093	9630027017	R5610.094	9630027016
4 / 8	Rotary Seal Ring 'O'ring	NBR	2 / 2	5380.149	9630024280	5380.237	9630028263
		EPDM	2 / 2	5380.093	9630024206	5380.241	9630025646
		FPM	2 / 2	5380.101	9630024214	5380.239	9630021115
		PTFE	2 / 2	5380.123	9630024254	5380.243	9630026094
9	Rotary Seal Assembly (outboard)	Stainless steel	2	R7400.123	9630026877	R7400.124	9630026882
		Tungsten Carbide	2	R7400.133	9630026569	R7400.134	9630026585
		Silicon Carbide	2	R7400.183	9630027023	R7400.184	9630045909

SRU5-6 Pump Models

Dwg Item No.	Description	Material	Qty	SRU5		SRU6	
				Part No.	Item No.	Part No.	Item No.
1 / 12	Stationary Seal Ring 'O'ring	NBR	2 / 2	5380.246	9630025417	5380.254	9630027486
		EPDM	2 / 2	5380.250	9630025437	5380.258	9630029893
		FPM	2 / 2	5380.248	9630025398	5380.256	9630029897
		PTFE	2 / 2	5380.252	9630025846	5380.260	9630029885
2 / 10	Stationary Seal Ring (inboard or outboard position)	Solid Carbon	2 / 2	R5630.070	9630026196	R5630.071	9630029729
		Inserted Carbon	2 / 2	R5630.064	9630026207	R5630.065	9630026165
		Tungsten Carbide	2 / 2	R5630.076	9630026219	R5630.077	9630026193
		Silicon Carbide	2 / 2	R5630.082	9630044328	R5630.083	9630027019
3	Rotary Seal Assembly (inboard)	Stainless steel	2	R5610.083	9630026210	R5610.084	9630025254
		Tungsten Carbide	2	R5610.089	9630025256	R5610.090	9630026166
		Silicon Carbide	2	R5610.095	9630026651	R5610.096	9630026650
4 / 8	Rotary Seal Ring 'O'ring	NBR	2 / 2	5380.245	9630026648	5380.253	9630026625
		EPDM	2 / 2	5380.249	9630025314	5380.257	9630029896
		FPM	2 / 2	5380.247	9630025438	5380.255	9630026693
		PTFE	2 / 2	5380.251	9630026704	5380.259	9630029889
9	Rotary Seal Assembly (outboard)	Stainless steel	2	R7400.125	9630026172	R7400.126	9630026449
		Tungsten Carbide	2	R7400.135	9630026584	R7400.136	9630022294
		Silicon Carbide	2	R7400.185	9630027022	R7400.186	9630046520

Note: SRU3-6 pump - Rotary seal assembly (Inboard) comprises of items 3, 5, 5A and 6. Rotary seal assembly (outboard) comprises of items 7, 7A, 9 and 14.

Hyclean Single Mechanical Seals (Complete)

SRU1 - 2 Pump Models

2 Seals per pump, it is recommended to replace both sets of seals when wear dictates seal replacement.

Seal Material Combinations		SRU1		SRU2	
Rotary Seal Ring / Stationary Seal Ring	'O' rings	Part No.	Item No.	Part No.	Item No.
Stainless Steel / Carbon	NBR	7600.101N	9630070142	7600.102N	9630046729
	EPDM	7600.101E	9630053608	7600.102E	9630046731
	FPM	7600.101V	9630060999	7600.102V	9630046730
Silicon Carbide / Carbon	NBR	7600.181N	9630090687	7600.182N	9630046745
	EPDM	7600.181E	9630090686	7600.182E	9630046747
	FPM	7600.181V	9630057357	7600.182V	9630046746
Silicon Carbide / Silicon Carbide	NBR	7600.201N	9630090685	7600.202N	9630046758
	EPDM	7600.201E	9630053609	7600.202E	9630046760
	FPM	7600.201V	9630065312	7600.202V	9630046759

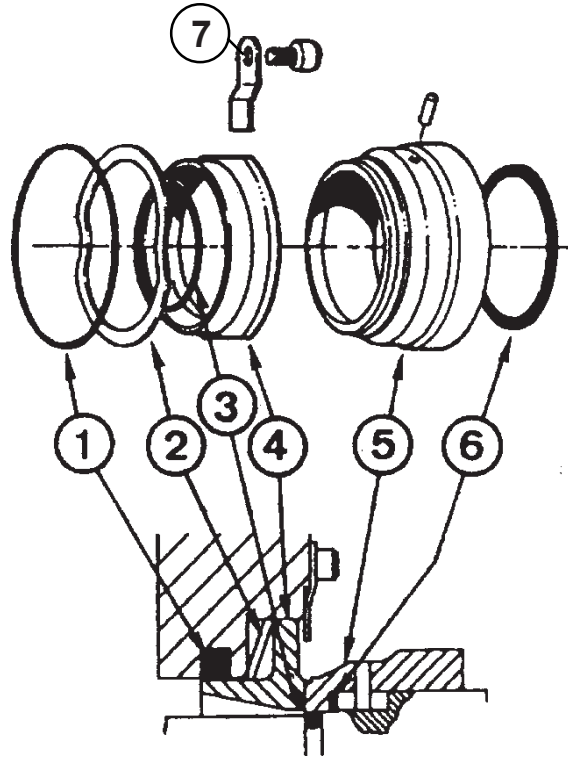
22

Additional parts to convert above Hyclean seals to Single flushed seals:

Description	Drawing Item No.	Qty	SRU1		SRU2	
			Part No.	Item No.	Part No.	Item No.
Flush conversion kit BSPT connections.	-	2	4010.341A	9630091231	4010.342A	9630091233
Flush conversion kit NPT connections.	-	2	4010.341B	9630091232	4010.342B	9630091234
Conversion kits comprising of :-						
Lip Seal (FPM)	9	2	5310.114	9630054231	5310.107	9630043050
Seal Housing. BSPT	8	2	5265.423A	9630054246	5265.388A	9630034722
Seal Housing. NPT	8	2	5265.423B	9630054248	5265.388B	9630041956
O'ring (FPM)	7	2	5380.263	9630023523	1550.138	9630024269
Housing screw		4	5990.012	9630024603	5990.011	9630024601

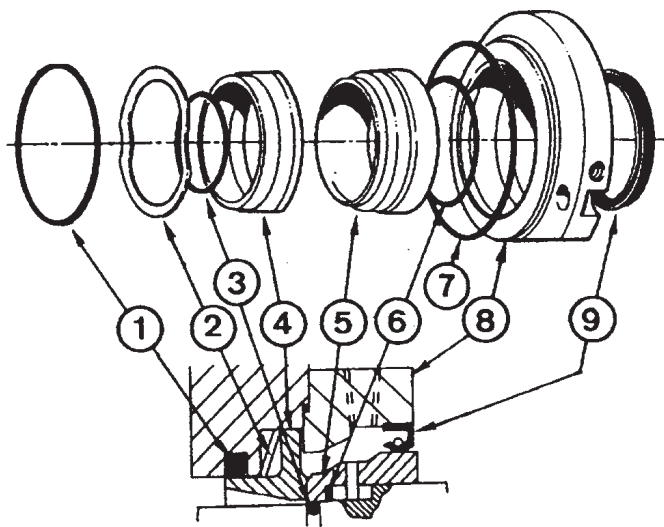
Hyclean Single Mechanical Seal

Item	Description
1	Rotorcase o-ring
2	Wave spring
3	Shaft o-ring
4	Stationary seal ring
5	Rotary seal ring
6	Washer
7	Clip



Hyclean Single Flushed Mechanical Seal

Item	Description
1	Rotorcase o-ring
2	Wave spring
3	Shaft o-ring
4	Stationary seal ring
5	Rotary seal ring
6	Washer
7	O-ring
8	Seal housing
9	Lip seal



Hyclean Single Mechanical Seals (Complete)

SRU3 - 4 Pump Models

2 Seals per pump, it is recommended to replace pairs of seals when wear dictates seal replacement.

Seal Material Combinations		SRU3		SRU4	
Rotary Seal Ring / Stationary Seal Ring	'O' rings	Part No.	Item No.	Part No.	Item No.
Stainless Steel / Carbon	NBR	7600.103N	9630046733	7600.104N	9630046737
	EPDM	7600.103E	9630046735	7600.104E	9630046741
	FPM	7600.103V	9630046734	7600.104V	9630046740
Silicon Carbide / Carbon	NBR	7600.183N	9630046749	7600.184N	9630046752
	EPDM	7600.183E	9630046751	7600.184E	9630046754
	FPM	7600.183V	9630046750	7600.184V	9630046753
Silicon Carbide / Silicon Carbide	NBR	7600.203N	9630046761	7600.204N	9630046765
	EPDM	7600.203E	9630046763	7600.204E	9630046767
	FPM	7600.203V	9630046762	7600.204V	9630046766

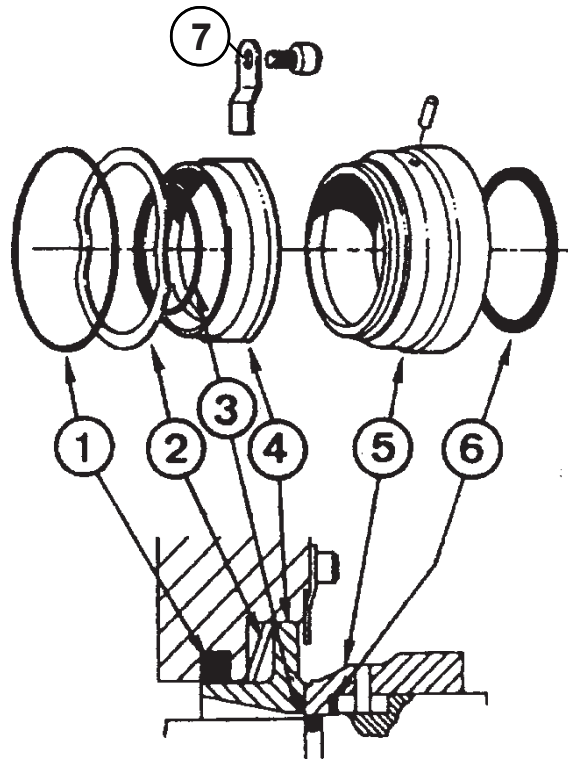
24

Additional parts to convert above Hyclean seals to Single flushed seals:

Description	Drawing Item No.	Qty	SRU3		SRU4	
			Part No.	Item No.	Part No.	Item No.
Flush conversion kit BSPT connections.	-	2	4010.343A	9630091235	4010.344A	9630091237
Flush conversion kit NPT connections.	-	2	4010.343B	9630091236	4010.344B	9630091238
Conversion kits comprising of :-						
Lip Seal (FPM)	9	2	5310.027	9630024046	5310.109	9630043052
Seal Housing. BSPT	8	2	5265.389A	9630042563	5265.390A	9630029496
Seal Housing. NPT	8	2	5265.389B	9630042326	5265.390B	9630042327
O'ring (FPM)	7	2	5380.399	9630043058	5380.403	9630043060
Housing screw		4	5990.066	9630028936	5990.066	9630028936

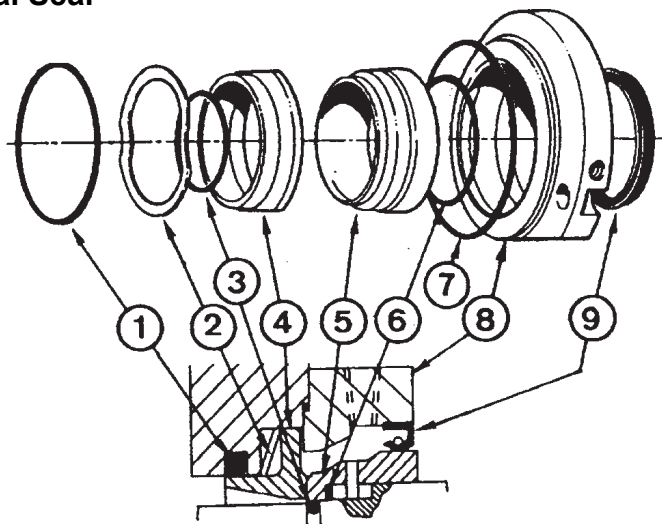
Hyclean Single Mechanical Seal

Item	Description
1	Rotorcase o-ring
2	Wave spring
3	Shaft o-ring
4	Stationary seal ring
5	Rotary seal ring
6	Washer
7	Clip



Hyclean Single Flushed Mechanical Seal

Item	Description
1	Rotorcase o-ring
2	Wave spring
3	Shaft o-ring
4	Stationary seal ring
5	Rotary seal ring
6	Washer
7	O-ring
8	Seal housing
9	Lip seal



Hyclean Single Mechanical Seals (Complete)

SRU5 - 6 Pump Models

2 Seals per pump, it is recommended to replace pairs of seals when wear dictates seal replacement.

Seal Material Combinations		SRU5		SRU6	
Rotary Seal Ring / Stationary Seal Ring	'O' rings	Part No.	Item No.	Part No.	Item No.
Stainless Steel / Carbon	NBR	7600.105N	9630046738	7600.106N	9630053215
	EPDM	7600.105E	9630046744	7600.106E	9630041719
	FPM	7600.105V	9630046743	7600.106V	9630030780
Silicon Carbide / Carbon	NBR	7600.185N	9630046755	7600.186N	9630090689
	EPDM	7600.185E	9630046757	7600.186E	9630041729
	FPM	7600.185V	9630046756	7600.186V	9630057267
Silicon Carbide / Silicon Carbide	NBR	7600.205N	9630046769	7600.206N	9630060539
	EPDM	7600.205E	9630046771	7600.206E	9630041720
	FPM	7600.205V	9630046770	7600.206V	9630049360

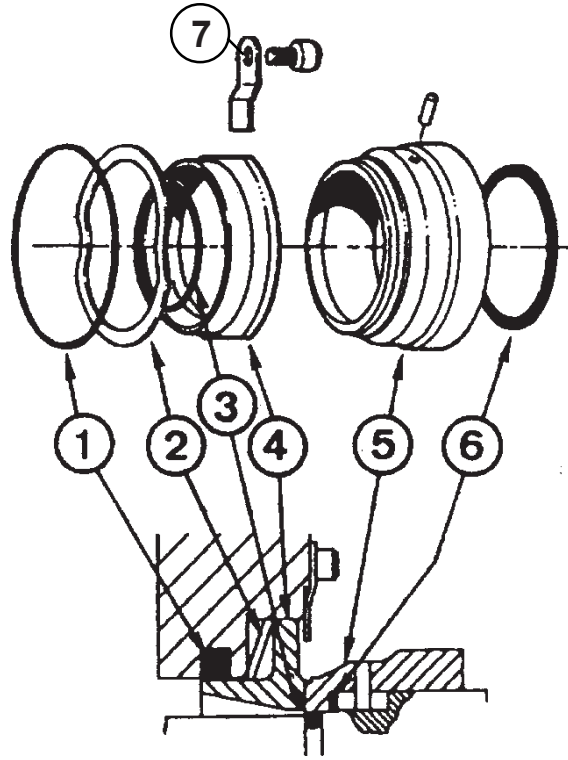
26

Additional parts to convert above Hyclean seals to Single flushed seals:

Description	Drawing Item No.	Qty	SRU5		SRU6	
			Part No.	Item No.	Part No.	Item No.
Flush conversion kit BSPT connections.	-	2	4010.345A	9630091239	4010.346A	9630091241
Flush conversion kit NPT connections.	-	2	4010.345B	9630091240	4010.346B	9630091242
Conversion kits comprising of :-						
Lip Seal (FPM)	9	2	5310.052	9630028335	5310.068	9630032804
Seal Housing. BSPT	8	2	5265.391A	9630042118	5265.411A	9630050398
Seal Housing. NPT	8	2	5265.391B	9630042121	5265.411B	9630049929
O'ring (FPM)	7	2	5380.406	9630043062	5380.167	9630024338
Housing screw (stud / nut / washer on SRU6)		4	5990.034	9630024635	6350.105	9630027485
					5330.000	9630024051
					6400.037	9630024233

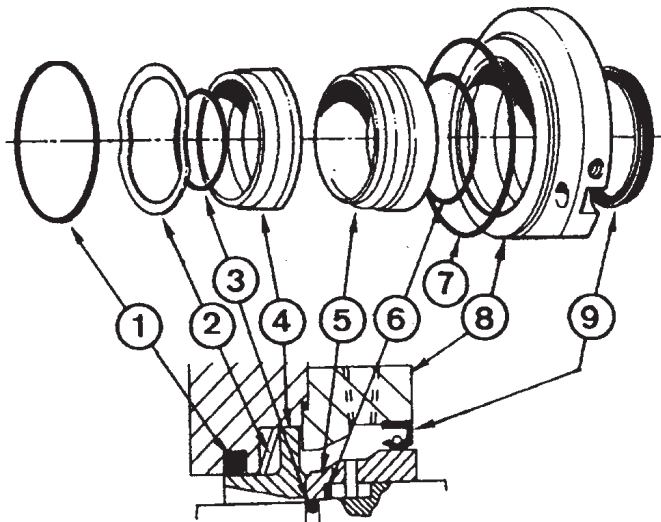
Hyclean Single Mechanical Seal

Item	Description
1	Rotorcase o-ring
2	Wave spring
3	Shaft o-ring
4	Stationary seal ring
5	Rotary seal ring
6	Washer
7	Clip



Hyclean Single Flushed Mechanical Seal

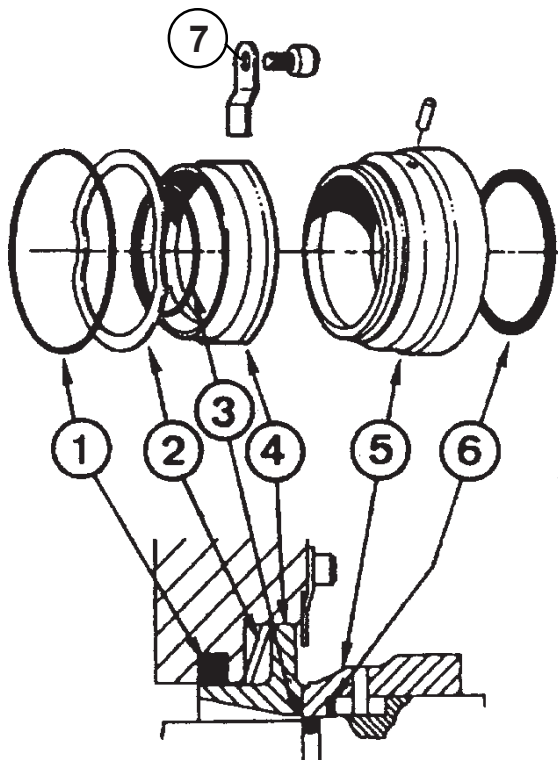
Item	Description
1	Rotorcase o-ring
2	Wave spring
3	Shaft o-ring
4	Stationary seal ring
5	Rotary seal ring
6	Washer
7	O-ring
8	Seal housing
9	Lip seal



Hyclean Single Mechanical Seals (Parts)

28

Item	Description
1	Rotorcase o-ring
2	Wave spring
3	Shaft o-ring
4	Stationary seal ring
5	Rotary seal ring
6	Washer
7	Clip



SRU1-2 Pump Models

Dwg Item No.	Description	Material	Qty	SRU1		SRU2	
				Part No.	Item No.	Part No.	Item No.
1	Rotorcase 'O'ring	NBR	2	1550.320	9630050800	31494.5001.1	9630042759
		EPDM		1555.320	9630050799	8831555325	9630042761
		FPM		1551.320	9630050801	31494.5001.2	9630042760
2	Wave spring	Stainless Steel	2	R6300.039	9630050798	31494.0508.1	9630042767
3	Shaft 'O'ring	NBR	2	1550.114	9630023345	8831550121	9630019400
		EPDM		1555.114	9630023526	1555.121	9630025331
		FPM		8831551114	9630023406	8831551121	9630019399
4	Stationary Seal Ring	Solid Carbon	2	R5630.092	9630031237	31494.0501.2	9630029349
		Silicon Carbide		R5630.093	9630023183	31494.0501.3	9630029474
		Inserted Silicon Carbide		-	-	31494.0501.9	9630057066
5	Rotary Seal Ring	Stainless Steel	2	R5610.101	9630031240	31494.0506.1	9630042757
		Silicon Carbide		R5610.102	9630031241	31494.0506.3	9630042758
6	Washer	NBR	2	6400.086	9630050796	6400.069	9630046535
		FPM		6400.087	9630050797	6400.073	9630046695
7	Clip	Stainless Steel	2	5087.054	9630050761	31494.5087.052	9630042394

Hyclean Single Mechanical Seals (Parts)

SRU3-4 Pump Models

Dwg Item No.	Description	Material	Qty	SRU3		SRU4	
				Part No.	Item No.	Part No.	Item No.
1	Rotorcase 'O'ring	NBR	2	31495.5001.1	9630042771	8831550322	9630042786
		EPDM		8831555328	9630042773	31496.5001.5	9630042788
		FPM		8831551328	9630042772	8831551332	9630042787
2	Wave spring	Stainless Steel	2	31495.0508.1	9630042780	31496.0508.1	9630042794
3	Shaft 'O'ring	NBR	2	8831550124	9630046505	8831550131	9630023353
		EPDM		8831555124	9630046509	8831555131	9630023531
		FPM		8831551124	9630046508	8831551131	9630023418
4	Stationary Seal Ring	Solid Carbon	2	31495.0501.2	9630037760	31496.0501.2	9630025796
		Silicon Carbide		31495.0501.3	9630042768	31496.0501.3	9630042783
		Inserted Silicon Carbide		31495.0501.9	9630056418	31496.0501.9	9630052311
5	Rotary Seal Ring	Stainless Steel	2	31495.0506.1	9630042769	31496.0506.1	9630042784
		Silicon Carbide		31495.0506.3	9630042770	31496.0506.3	9630042785
6	Washer	NBR	2	6400.070	9630046536	6400.071	9630046537
		FPM		6400.074	9630046696	6400.075	9630046697
7	Clip	Stainless Steel	2	31495.5087.053	9630042396	31495.5087.053	9630042396

SRU5-6 Pump Models

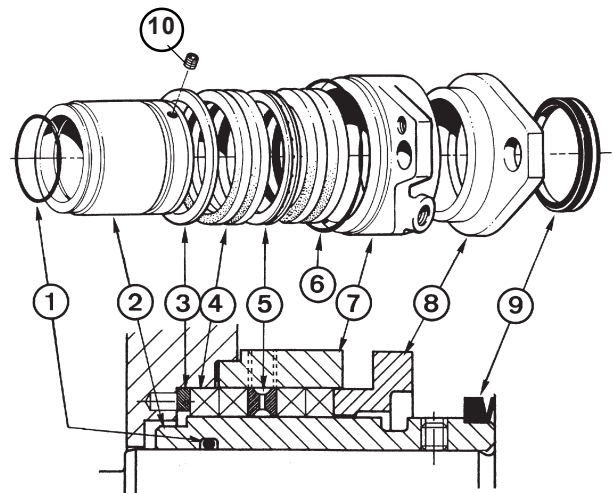
Dwg Item No.	Description	Material	Qty	SRU5		SRU6	
				Part No.	Item No.	Part No.	Item No.
1	Rotorcase 'O'ring	NBR	2	31497.5001.1	9630042799	1550.339	9630048174
		EPDM		8831555335	9630042801	8831555339	9630030198
		FPM		8831551335	9630042800	8831551339	9630048175
2	Wave spring	Stainless Steel	2	31497.0508.1	9630042807	31498.0508.1	9630048005
3	Shaft 'O'ring	NBR	2	8831550137	9630046511	5380.246	9630025417
		EPDM		8831555137	9630046514	8831555230	9630025437
		FPM		8831551137	9630046513	8831551230	9630025398
4	Stationary Seal Ring	Solid Carbon	2	31497.0501.2	9630039819	31498.0501.2	9630047980
		Silicon Carbide		31497.0501.3	9630042795	-	-
		Inserted Silicon Carbide		31497.0501.9	9630052312	31498.0501.3	9630048002
5	Rotary Seal Ring	Stainless Steel	2	31497.0506.1	9630042797	31498.0506.1	9630048004
		Silicon Carbide		31497.0506.3	9630042798	31498.0506.3	9630048003
6	Washer	NBR	2	6400.072	9630046538	6400.079	9630048006
		FPM		6400.076	9630046698	6400.080	9630048007
7	Clip	Stainless Steel	2	31495.5087.053	9630042396	31495.5087.053	9630042396

Packed Gland Seals (Parts)

All SRU pumps are fitted with 10 packing rings (i.e. 2 sets of 5) except SRU1, which has 8 packing rings (i.e. 2 sets of 4). If a lantern ring is fitted, this replaces 1 packing ring in each seal.

30

Item	Description
1	Shaft sleeve o-ring
2	Shaft sleeve
3	Spacer
4	Packing rings
5	Lantern ring (if fitted)
6	Gasket
7	Gland housing
8	Gland follower
9	Ring slinger
10	Screw



SRU1-2 Pump Models

Dwg Item No.	Description	Qty	SRU1		SRU2		
			Part No.	Item No.	Part No.	Item No.	
1	'O'ring shaft sleeve	NBR EPDM FPM PTFE	2	5380.316	9630034652	5380.052	9630024180
			2	5380.416	9630043405	5380.417	9630043406
			2	5380.319	9630034859	5380.053	9630024181
			2	5380.320	9630034860	5380.283	9630031603
2	Shaft Sleeve	Hardened	2	6200.168	9630034852	6200.169	9630031521
2	Spacer		2	5670.080	9630034857	5670.081	9630031533
4	Gland Packing	Polyamide PTFE	2 sets	5240.061	9630034863	5240.062	9630025189
			2 sets	5240.071	9630034864	5240.072	9630021041
2	Lantern ring (if fitted)		2	5650.024	9630034869	5650.019	9630031639
2	Gasket		2	5198.201	9630034866	5198.100	9630031523
7	Housing	Unflushed	2	5235.014	9630034843	5235.016	9630031527
		Flush BSPT	2	5235.014A	9630034845	5235.016A	9630031529
		Flush NPT	2	5335.014B	9630034846	5335.016B	9630032351
2	Gland Follower		2	5230.070	9630033379	5230.053	9630031525
2	Slinger		2	5665.029	9630034858	5665.023	9630031784
10	Screw		2	6010.011	9630024658	6010.019	9630026007
			4	5330.007	9630024061	5330.003	9630024057
			4	6350.115	9630034862	6350.103	9630027364

SRU3-4 Pump Models

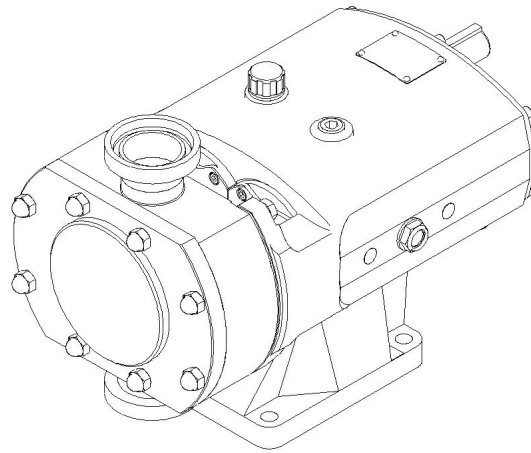
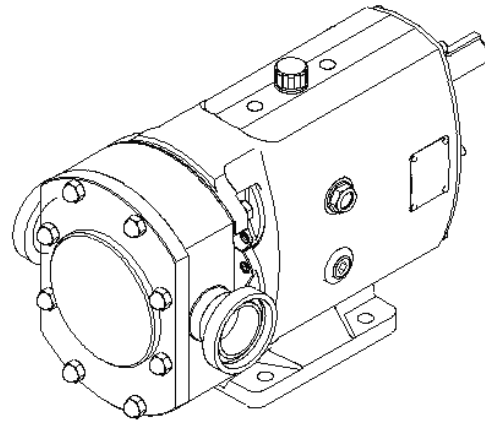
Dwg Item No.	Description	Qty	SRU3		SRU4		
			Part No.	Item No.	Part No.	Item No.	
1	'O'ring shaft sleeve	NBR	2	5380.021	9630024120	5380.030	9630024129
		EPDM	2	5380.415	9630043403	5380.410	9630043109
		FPM	2	5380.019	9630024118	5380.275	9630026743
		PTFE	2	5380.284	9630031604	5380.285	9630031605
2	Shaft Sleeve	Hardened	2	6200.213	9630033145	6200.171	9630031339
3	Spacer		2	5670.082	9630031469	5670.083	9630031353
4	Gland Packing	Polyamide	2 sets	5240.063	9630025390	5240.064	9630025439
		PTFE	2 sets	5240.073	9630026753	5240.074	9630021042
5	Lantern ring (if fitted)		2	5650.020	9630031640	5650.021	9630031641
6	Gasket		2	5198.101	9630021471	5198.102	9630031351
7	Housing	Unflushed	2	5235.018	9630031463	5235.020	9630031343
		Flush BSPT	2	5235.018A	9630031465	5235.020A	9630031345
		Flush NPT	2	5335.018B	9630032353	5335.020B	9630023254
8	Follower Gland		2	5230.054	9630031467	5230.055	9630031347
9	Slinger		2	5665.024	9630031797	5665.025	9630031798
10	Screw		2	6010.019	9630026007	6010.019	9630026007
	Nut		4	5330.003	9630024057	5330.000	9630024051
	Stud		4	6350.103	9630027364	6350.125	9630027714

SRU5-6 Pump Models

Dwg Item No.	Description	Qty	SRU5		SRU6		
			Part No.	Item No.	Part No.	Item No.	
1	O'ring shaft sleeve	NBR	2	5380.076	9630024193	5380.136	9630024267
		EPDM	2	5380.198	9630025794	5380.134	9630024265
		FPM	2	5380.077	9630024194	5380.158	9630024289
		PTFE	2	5380.192	9630024367	5380.165	9630024337
2	Shaft Sleeve	Hardened	2	6200.172	9630031081	6200.173	9630030928
3	Spacer		2	5670.084	9630031087	5670.085	9630030926
4	Gland Packing	Polyamide	2 sets	5240.065	9630025915	5240.066	9630021037
		PTFE	2 sets	5240.075	9630026564	5240.076	9630026406
5	Lantern ring (if fitted)		2	5650.022	9630031642	5650.023	9630031643
6	Gasket		2	5198.103	9630031077	5198.104	9630030911
7	Housing	Unflushed	2	5235.022	9630031061	5235.024	9630030918
		Flush BSPT	2	5235.022A	9630031063	5235.024A	9630030936
		Flush NPT	2	5335.022B	9630032355	5335.024B	9630032356
8	Follower Gland		2	5990.061	9630031053	5230.057	9630030924
9	Slinger		2	5665.027	9630031800	5665.028	9630031801
10	Screw		2	6010.014	9630030300	6010.014	9630030300
	Nut		4	5330.000	9630024051	5330.000	9630024051
	Stud		4	6350.107	9630028904	6350.108	9630028906

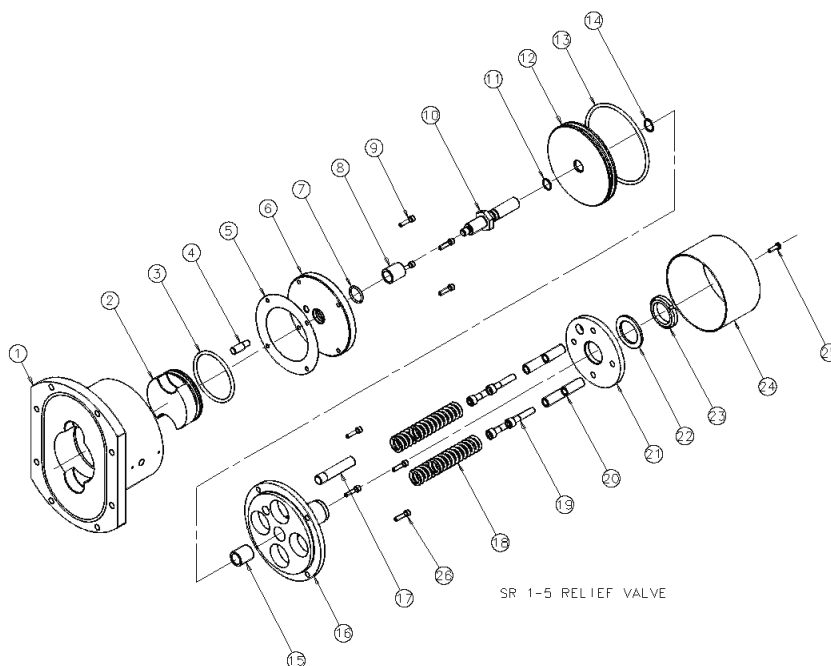
Spare Parts

SRU Rotary Lobe Pump



Pressure Relief Valve (Parts)

2



Item	Description	Item	Description
1	Rotorcase cover	14	Circlip
2	Hydraulic piston	15	Bush
3	'O' ring, hydraulic piston	16	Valve guide
4	Valve pin	17	Valve pin
5	Shim	18	Spring
6	Backstop disc	19	Screw
7	'O' ring, backstop disc	20	Valve spring guide
8	Bush	21	Spring adjuster
9	Screw, backstop disc	22	Washer
10	Valve shaft	23	Notched nut
11	'O' ring, pneumatic piston	24	Valve housing
12	Pneumatic piston	25	Screw
13	'O' ring, pneumatic piston	26	Screw, spring adjuster

SRU1-2 Pump Models

Only normal wearing component parts listed below – springs are compression type.

Dwg Item No.	Description	Qty	SRU1		SRU2		
			Part No.	Item No.	Part No.	Item No.	
13	'O' ring, piston	1	NBR	5380.030	9630024129	5380.030	9630024129
			EPDM	5380.410	9630043109	5380.410	9630043109
			FPM	5380.275	9630027643	5380.275	9630027643
			PTFE	5380.285	9630031605	5380.285	9630031605
	Shaft bush	1	5060.015	9630047342	5060.015	9630047342	
	'O' ring	1	5380.269	9630027508	5380.269	9630027508	
18	Spring	4	< 8 bar	6290.017	9630029781	-	-
			< 10 bar	-	-	6290.017	9630029781
			> 10 bar	-	-	6290.023	9630034501
	'O' ring, cover	1	NBR	5380.087	9630024201	1550.251	9630030114
			EPDM	5380.277	9630019858	1555.251	9630027285
			FPM	5380.163	9630024335	1551.251	9630026029
			PTFE	5380.164	9630024336	1552.251	9630024882

Pressure Relief Valve (Parts)

SRU3-6 Pump Models

Only normal wearing component parts listed below – springs are compression type except SRU6 which are disc type.

Dwg Item No.	Description	Qty	SRU3		SRU4		
			Part No.	Item No.	Part No.	Item No.	
13	'O' ring, piston	NBR EPDM FPM PTFE	1	5380.030	9630024129	5380.028	9630024127
				5380.410	9630043109	5380.411	9630043110
				5380.275	9630027643	5380.035	9630024131
				5380.285	9630031605	5380.303	9630032248
	Shaft bush		1	5060.015	9630047342	5060.016	9630047647
	'O' ring	NBR	1	5380.269	9630027508	5380.291	9630031831
18	Spring	< 10 bar > 10 bar	4	6290.017	9630029781	6290.021	9630033372
				6290.023	9630034501	6290.024	9630034502
	'O' ring, cover	NBR EPDM FPM PTFE	1	1550.260	9630030271	1550.267	9630029958
				1555.260	9630026951	1555.267	9630019861
				1551.260	9630026048	1551.267	9630026117
				1552.260	9630031555	1552.267	9630031556

Dwg Item No.	Description	Qty	SRU5		SRU6		
			Part No.	Item No.	Part No.	Item No.	
13	'O' ring, piston	NBR EPDM FPM PTFE	1	5380.028	9630024127	5380.288	9630028374
				5380.411	9630043110	5380.412	9630043111
				5380.035	9630024131	5380.301	9630032246
				5380.303	9630032248	5380.302	9630032247
	Shaft bush		1	5060.016	9630047647	5060.011	9630031832
	'O' ring	NBR	1	5380.291	9630031831	5380.291	9630031831
18	Spring (SRU5 only)	< 10 bar > 10 bar	4	6290.021	9630033372	-	-
				6290.024	9630034502	-	-
18	Spring (SRU6 only)	> 7 bar > 10 bar > 15 bar > 18 bar	144 192 216 240	-	-	6280.002	9630034726
				-	-	6280.002	9630034726
				-	-	6280.002	9630034726
				-	-	6280.002	9630034726
	'O' ring, cover	NBR EPDM FPM PTFE	1	1550.274	9630029652	5380.210	9630030494
				1555.274	9630027380	5380.278	9630026948
				1551.274	9630028410	5380.276	9630027458
				1552.274	9630031557	5380.266	9630031559

SRU6 Relief Valve Spring Arrangements:

<p>Up to 7 Bar Springs arranged: (())(()) 1 stack = () 2 springs 18 stacks per set 4 sets in each valve. Total 144 springs.</p>	<p>Up to 10 Bar Springs arranged: (())(())(())(()) 1 stack = (()) 4 springs 12 stacks per set 4 sets in each valve. Total 192 springs.</p>
<p>Up to 15 Bar Springs arranged: (((()))(())(())(()) 1 stack = (((())) 6 springs 9 stacks per set 4 sets in each valve. Total 216 springs.</p>	<p>Up to 10 Bar Springs arranged: (((()))(())(())(()) 1 stack = (((())) 6 springs 10 stacks per set 4 sets in each valve. Total 240 springs.</p>

Pressure Relief Valve (Complete)

Complete assembly includes rotorcase cover. N = NBR, E = EPDM, V = FPM and P = PTFE for elastomers required.

4

Valve type	SRU1		SRU2		SRU3	
	Part No.	Item No.	Part No.	Item No.	Part No.	Item No.
Standard pressure	4083.001N	9630032548	4083.002N	9630032550	4083.003N	9630032551
	4083.001E	9630047160	4083.002E	9630027296	4083.003E	9630043291
	4083.001V	9630032549	4083.002V	9630033115	4083.003V	9630033119
	4083.001P	9630034307	4083.002P	9630034216	4083.003P	9630034567
High pressure	4083.001N/HP	9630045539	4083.002N/HP	9630024964	4083.003N/HP	9630048177
	4083.001E/HP	9630047618	4083.002E/HP	9630024957	4083.003E/HP	9630045905
	4083.001V/HP	9630037687	4083.002V/HP	9630045997	4083.003V/HP	9630045609
	4083.001P/HP	9630047617	4083.002P/HP	9630024959	4083.003P/HP	9630048178
Standard pressure with lever lift	4083.101N	9630044546	4083.102N	9630045082	4083.103N	9630046971
	4083.101E	9630091243	4083.102E	9630046972	4083.103E	9630046973
	4083.101V	9630091244	4083.102V	9630059453	4083.103V	9630026838
	4083.101P	9630091245	4083.102P	9630091250	4083.103P	9630091255
High pressure with lever lift	4083.101N/HP	9630091246	4083.102N/HP	9630091251	4083.103N/HP	9630091256
	4083.101E/HP	9630091247	4083.102E/HP	9630091252	4083.103E/HP	9630091257
	4083.101V/HP	9630091248	4083.102V/HP	9630091253	4083.103V/HP	9630091258
	4083.101P/HP	9630091249	4083.102P/HP	9630091254	4083.103P/HP	9630091259

Valve type	SRU4		SRU5	
	Part No.	Item No.	Part No.	Item No.
Standard pressure	4083.004N	9630032552	4083.005N	9630032553
	4083.004E	9630039307	4083.005E	9630045541
	4083.004V	9630033120	4083.005V	9630033128
	4083.004P	9630034189	4083.005P	9630045590
High pressure	4083.004N/HP	9630033094	4083.005N/HP	9630047693
	4083.004E/HP	9630031450	4083.005E/HP	9630047692
	4083.004V/HP	9630037120	4083.005V/HP	9630029103
	4083.004P/HP	9630030615	4083.005P/HP	9630045543
Standard pressure with lever lift	4083.104N	9630091260	4083.105N	9630091265
	4083.104E	9630046974	4083.105E	9630091266
	4083.104V	9630075494	4083.105V	9630047273
	4083.104P	9630042755	4083.105P	9630042284
High pressure with lever lift	4083.104N/HP	9630091261	4083.105N/HP	9630091267
	4083.104E/HP	9630091262	4083.105E/HP	9630091268
	4083.104V/HP	9630091263	4083.105V/HP	9630091269
	4083.104P/HP	9630091264	4083.105P/HP	9630091270

Valve type	SRU6 standard		SRU6 with lever lift	
	Part No.	Item No.	Part No.	Item No.
Up to 7 bar	4083.006N	9630032554	4083.106N	9630091272
	4083.006E	9630057151	4083.106E	9630055893
	4083.006V	9630033133	4083.106V	9630054329
	4083.006P	9630042269	4083.106P	9630042271
Up to 10 Bar	4083.006N/ME	9630045542	4083.106N/ME	9630091273
	4083.006E/ME	9630025005	4083.106E/ME	9630091274
	4083.006V/ME	9630046886	4083.106V/ME	9630091275
	4083.006P/ME	9630022269	4083.106P/ME	9630091276
Up to 15 Bar	4083.006N/HP	9630038272	4083.106N/HP	9630091277
	4083.006E/HP	9630058067	4083.106E/HP	9630091278
	4083.006V/HP	9630045807	4083.106V/HP	9630091279
	4083.006P/HP	9630048700	4083.106P/HP	9630091280
Up to 18 Bar	4083.006N/HP1	9630049002	94083.106N/HP1	9630091281
	4083.006E/HP1	9630062101	4083.106E/HP1	9630091282
	4083.006V/HP1	9630036122	4083.106V/HP1	9630091283
	4083.006P/HP1	9630091271	4083.106P/HP1	9630091284

Pump Model	Description	Qty	Part No.	Item No.
SRU1	Jacketed Rotorcase Cover	1	5130.331	9630027764
	Jacket	1	5268.025	9630031941
	Fasteners	4	5990.012	9630024603
SRU2	Jacketed Rotorcase Cover	1	5130.332	9630027767
	Jacket	1	5268.026	9630031943
	Fasteners	4	5990.012	9630024603
SRU3	Jacketed Rotorcase Cover	1	5130.333	9630027766
	Jacket	1	5268.027	9630031945
	Fasteners	4	5990.012	9630024603
SRU4	Jacketed Rotorcase Cover	1	5130.334	9630030268
	Jacket	1	5268.028	9630031947
	Fasteners	4	5990.050	9630032120
SRU5	Jacketed Rotorcase Cover	1	5130.335	9630027765
	Jacket	1	5268.029	9630031949
	Fasteners	4	5990.050	9630032120
SRU6	Jacketed Rotorcase Cover	1	5130.336	9630027763
	Jacket	1	5268.030	9630031951
	Fasteners	4	5990.048	9630031826

Rotorcase Saddles

6

Pump Model	Description	Qty	Part No.	Item No.
SRU1	Jacketed Rotorcase	1	Dependent upon connection size, type and seal arrangement, consult factory	
	Saddle	2	5268.031	9630032345
	Fasteners	4	5990.043	9630018807
SRU2	Jacketed Rotorcase	1	Dependent upon connection size, type and seal arrangement, consult factory	
	Saddle	2	5268.032	9630032347
	Fasteners	4	5990.012	9630024603
SRU3	Jacketed Rotorcase	1	Dependent upon connection size, type and seal arrangement, consult factory	
	Saddle	2	5268.033	9630031953
	Fasteners	4	5990.009	9630024598
SRU4	Jacketed Rotorcase	1	Dependent upon connection size, type and seal arrangement, consult factory	
	Saddle	2	5268.034	9630031955
	Fasteners	4	5990.048	9630031826
SRU5	Jacketed Rotorcase	1	Dependent upon connection size, type and seal arrangement, consult factory	
	Saddle	2	5268.035	9630031957
	Fasteners	4	5990.010	9630024599
SRU6	Jacketed Rotorcase	1	Dependent upon connection size, type and seal arrangement, consult factory	
	Saddle	2	5268.036	9630031959
	Fasteners	4	5990.010	9630024599

Page No.	Contents
2	SRU1 - Universal Pump Parts List
3	SRU1 - Universal Pump Exploded View Drawing
4	SRU2 - Universal Pump Parts List
5	SRU2 - Universal Pump Exploded View Drawing
6	SRU3 - Universal Pump Parts List
7	SRU3 - Universal Pump Exploded View Drawing
8	SRU4 - Universal Pump Parts List
9	SRU4 - Universal Pump Exploded View Drawing
10	SRU5 - Horizontally Ported Pump Parts List
11	SRU5 - Horizontally Ported Pump Exploded View Drawing
12	SRU5 - Vertically Ported Pump Parts List
13	SRU5 - Vertically Ported Pump Exploded View Drawing
14	SRU6 - Horizontally Ported Pump Parts List
15	SRU6 - Horizontally Ported Pump Exploded View Drawing
16	SRU6 - Vertically Ported Pump Parts List
17	SRU6 - Vertically Ported Pump Exploded View Drawing
18	Rotorcase Options - R90 and Packed Gland Seal (SRU1-3)
19	Rotorcase Options - R90 and Packed Gland Seal (SRU4-6)
20	Rotorcase Options - Hyclean Seal (SRU1-3)
21	Rotorcase Options - Hyclean Seal (SRU4-6)
22	Rotors (SRU1-2)
23	Rotors (SRU3-4)
24	Rotors (SRU5-6)
25	Gland Guards
26-27	R90 Single/Flushed Mechanical Seals (Complete) – SRU1-2
28-29	R90 Single/Flushed Mechanical Seals (Complete) – SRU3-4
30-31	R90 Single/Flushed Mechanical Seals (Complete) – SRU5-6
32	R90 Single Mechanical Seals (Parts) – SRU1-2
33	R90 Single Mechanical Seals (Parts) – SRU3-6
34	R90 Double Mechanical Seals (Complete)
35	Notes
36	R90 Double Mechanical Seals (Parts) – SRU1-2
37	R90 Double Mechanical Seals (Parts) – SRU3-6
38-39	Hyclean Single/Flushed Mechanical Seals (Complete) – SRU1-2
40-41	Hyclean Single/Flushed Mechanical Seals (Complete) – SRU3-4
42-43	Hyclean Single/Flushed Mechanical Seals (Complete) – SRU5-6
44	Hyclean Single Mechanical Seals (Parts) – SRU1-2
45	Hyclean Single Mechanical Seals (Parts) – SRU3-6
46	Packed Gland Seals (Parts) – SRU1-2
47	Packed Gland Seals (Parts) – SRU3-6
48	Pressure Relief Valve (Parts) – SRU1-2
49	Pressure Relief Valve (Parts) – SRU3-6
50	Pressure Relief Valve (Complete)
51	Rotorcase Cover Jackets
52	Rotorcase Saddles