

Telephone 800-500-9311
Telephone 864-573-9200
Fax 864-573-9299

OEC FLUID HANDLING INC.

SUBSIDIARY OF OILMEN'S EQUIPMENT CORP.
www.oecfh.com

140 Cedar Springs Rd.
P. O. Box 2807
Spartanburg, SC 29304

■ Stocked Items 11/06/03

PD Pumps

- ARO Ingersoll-Rand
- Blackmer Vane
Blackmer/Abaque Peristaltic
Blackmer "C" Eccentric Disc
- Alfa Laval-TriClover Lobe
- APV Lobe
- Tuthill Gear
Tuthill Lobe
MonoFlo Progressive Cavity

Centrifugal Pumps

- Alfa Laval-TriClover Sanitary
- APV Crepaco
- Deming End Suction
Deming Vertical Turbine
- Griswold ANSI Pumps
- MP Pump

Specialty Pumps

Flux Drum

Petroleum-Fuel Pumps

- Gorman-Rupp
- Dresser Wayne Corp
- Red Jacket
Graco
William Wilson Gasboy

Hand Pumps

- Blackmer
- Tokhiem
- Tuthill Fill-Rite

Storage Tanks

Stainless Steel ASME
UL & ASME Carbon Steel
Fiberglass Tanks
Chem-Tainer Poly Tanks
Assmann Poly Tanks
Snyder Poly Tanks

Tank Fittings & Vents

- OPW Engineered Systems
EMCO Wheaton
Morrison Bros
Protectoseal

Mechanical Seals

Utex



Meters & Instrumentation

- Micro Motion Coriolis
- Neptune Actaris PD
- Tuthill FPP PD
- Liquid Controls PD
Halliburton Turbine
Rosemount
Pressure Transmitters
Flow Transmitters
Temperature Transmitters
Level Transmitters

Sanitary Products

- Alfa Laval-TriClover Pumps
- Alfa Laval-TriClover Fittings
Alfa Laval-TriClover Valves
APV Pumps
APV Valves
APV Homogenizers
B & A Flexible Sanitary Hose

Liquid Level Gauges

- Protectoseal
Pneumercator
Moorman Bros
Milltronics/Siemens
Rosemount Level Transmitters

Hose & Reels

- Goodyear Hose
- Hannay Reels
Lawrence Composite Hose

Filters

Filtration Group Bag Filters

Mixers

Brawn Portable & Sanitary
Proquip Top Entry Agitators

Liquid Loaders & Platforms

OPW Engineered Systems
Green Manufacturing

Rotary Unions

Deublin

Custom Liquid Systems

For liquid transfer, batching &
process metering

Performance Guaranteed

CHARLOTTE, NC ■ SPARTANBURG, SC ■ GREENSBORO, NC

OPERATOR'S MANUAL

6661AX-X-C

INCLUDING: OPERATION, INSTALLATION & MAINTENANCE

RELEASED: 9-11-89

REVISED: 1-10-03

(REV. S)

1" DIAPHRAGM PUMP 1:1 RATIO (NON-METALLIC)



**READ THIS MANUAL CAREFULLY BEFORE INSTALLING,
OPERATING OR SERVICING THIS EQUIPMENT.**

It is the responsibility of the employer to place this information in the hands of the operator. Keep for future reference.

SERVICE KITS

Refer to the Model Description Chart to match the pump material options.
637118-C for Air Section repair (see page 6).
637161-XX-C for Fluid Section repair (see page 4).

PUMP DATA

Models	See Model Description Chart for "-XXX".
Pump Type	Non-Metallic, Air Operated, Double Diaphragm
Material	See Model Description Chart.
Weight 6661A3-, 1AE-, 1AJ-, 1AL-	20.25 lbs (9.19 kgs)
6661AP-, 1AR-, 1AS-, 1AT-	20.25 lbs (9.19 kgs)
6661A4-, 1AG-, 1AK-, 1AN-	28.5 lbs (12.93 kgs)
6661B3-, 1BF-, 1BJ-, 1BL-	28.8 lbs (13.06 kgs)
6661BP-, 1BR-, 1BS-, 1BT-	28.8 lbs (13.06 kgs)
6661B4-, 1BG-, 1BK-, 1BN-	37 lbs (16.78 kgs)
Maximum Air Inlet Pressure	120 p.s.i. (8.3 bar)
Maximum Material Inlet Pressure	10 p.s.i. (0.69 bar)
Maximum Outlet Pressure	120 p.s.i. (8.3 bar)
Maximum Flow Rate (flooded inlet)	47 g.p.m. (177.9 l.p.m.)
Displacement / Cycle @ 100 p.s.i.g.	0.17 gal. (0.64 lit.)
Maximum Particle Size (semi-solids)	1/8" dia. (3.2 mm)
Maximum Temperature Limits	
Polypropylene	35° to 150° F (2° to 66° C)
PVDF (Kynar)	10° to 200° F (-12° to 93° C)
Dimensional Data	see page 8
Noise Level @ 70 p.s.i. - 60 c.p.m. ①	64.5 db (A) ②

- ① Tested with 93110 muffler installed.
② The pump sound pressure levels published here have been updated to an Equivalent Continuous Sound Level (L_{Aeq}) to meet the intent of ANSI S1.13-1971, CAGI-PNEU-ROP S5.1 using four microphone locations.

NOTICE: All possible options are shown in the chart, however, certain combinations may not be recommended, consult a representative or the factory if you have questions concerning availability.

GENERAL DESCRIPTION

The ARO Diaphragm Pump offers high volume delivery even at low air pressure and a broad range of material compatibility options available. Refer to the model and option chart. ARO pumps feature stall resistant design, modular air motor / fluid sections.

Air operated double diaphragm pumps utilize a pressure differential in the air chambers to alternately create suction and positive fluid pressure in the fluid chambers, ball checks insure a positive flow of fluid.

Pump cycling will begin as air pressure is applied and it will continue to pump and keep up with the demand. It will build and maintain line pressure and will stop cycling once maximum line pressure is reached (dis-pensing device closed) and will resume pumping as needed.

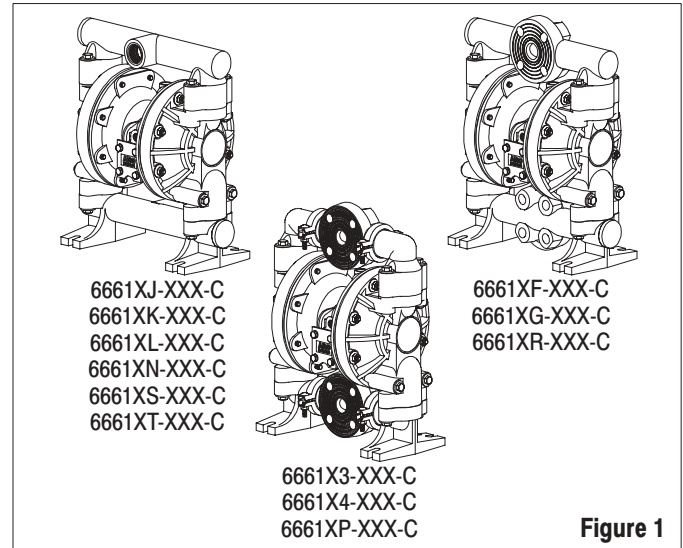


Figure 1

MODEL DESCRIPTION CHART

6661 X X - X X X - C	
CENTER BODY MATERIAL	
A - Aluminum B - Cast Iron	
FLUID CAP / MANIFOLD MATERIAL	
3 - Colorless Polypropylene flange (3-piece manifold)	
4 - PVDF (Kynar®) flange (3-piece manifold)	
F - Colorless Polypropylene flange (one piece manifold)	
G - PVDF (Kynar) flange (one piece manifold)	
J - Colorless Polypropylene, N.P.T. (one piece manifold)	
K - PVDF (Kynar), N.P.T. (one piece manifold)	
L - Colorless Polypropylene, B.S.P. (one piece manifold)	
N - PVDF (Kynar), B.S.P. (one piece manifold)	
P - Gray Polypropylene flange (3-piece manifold)	
R - Gray Polypropylene flange (one piece manifold)	
S - Gray Polypropylene, N.P.T. (one piece manifold)	
T - Gray Polypropylene, B.S.P. (one piece manifold)	
SEAT MATERIAL	
2 - 316 Stainless Steel 4 - PVDF (Kynar)	
3 - Polypropylene 8 - Hard 440 Stainless Steel	
BALL MATERIAL	
1 - Neoprene 8 - Polyurethane	
2 - Nitrile A - 316 Stainless Steel	
3 - Viton® E - Santoprene®	
4 - T.F.E. (Teflon®) M - Medical Grade Santoprene	
5 - E.P.R.	
DIAPHRAGM MATERIAL	
1 - Neoprene 3 - Viton 9 - Hytrel®	
2 - Nitrile 5 - E.P.R. B - Santoprene	
4 - T.F.E. (Teflon) / Santoprene M - Medical Grade Santoprene	
FLUID SECTION SERVICE KIT SELECTION	6661XX - X X X - C
EXAMPLE: MODEL # 6661A3-311-C	637161 - [X][X] - C
FLUID SECTION SERVICE KIT # 637161-11-C	BALL [] DIAPHRAGM []



OPERATING AND SAFETY PRECAUTIONS

READ, UNDERSTAND AND FOLLOW THIS INFORMATION TO AVOID INJURY AND PROPERTY DAMAGE.



⚠ WARNING EXCESSIVE AIR PRESSURE. Can cause pump damage, personal injury or property damage.

- Be sure material hoses and other components are able to withstand fluid pressures developed by this pump. Check all hoses for damage or wear. Be certain dispensing device is clean and in proper working condition.
- Do not exceed the maximum inlet air pressure as stated on the pump model plate.

⚠ WARNING STATIC SPARK. Can cause explosion resulting in severe injury or death. Ground pump and pumping system.

- Sparks can ignite flammable material and vapors.
- The pumping system and object being sprayed must be grounded when it is pumping, flushing, recirculating or spraying flammable materials such as paints, solvents, lacquers, etc. or used in a location where surrounding atmosphere is conducive to spontaneous combustion. Ground the dispensing valve or device, containers, hoses and any object to which material is being pumped.
- Secure pump, connections and all contact points to avoid vibration and generation of contact or static spark.
- Consult local building codes and electrical codes for specific grounding requirements.
- After grounding, periodically verify continuity of electrical path to ground. Test with an ohmmeter from each component (e.g., hoses, pump, clamps, container, spray gun, etc.) to ground to insure continuity. Ohmmeter should show 100 ohms or less.
- Submerge the outlet hose end, dispensing valve or device in the material being dispensed if possible. (Avoid free streaming of material being dispensed.)
- Use hoses incorporating a static wire.
- Use proper ventilation.
- Keep inflammables away from heat, open flames and sparks.
- Keep containers closed when not in use.

⚠ WARNING Pump exhaust may contain contaminants. Can cause severe injury. Pipe exhaust away from work area and personnel.

- In the event of a diaphragm rupture, material can be forced out of the air exhaust muffler.
- Pipe the exhaust to a safe remote location when pumping hazardous or inflammable materials.
- Use a grounded 3/8" min. i.d. hose between the pump and the muffler.

⚠ WARNING HAZARDOUS PRESSURE. Can result in serious injury or property damage. Do not service or clean pump, hoses or dispensing valve while the system is pressurized.

- Disconnect air supply line and relieve pressure from the system by opening dispensing valve or device and / or carefully and slowly loosening and removing outlet hose or piping from pump.

⚠ WARNING EXPLOSION HAZARD. Models containing aluminum wetted parts cannot be used with Ill.-Trichloroethane, Methylene Chloride or other Halogenated Hydrocarbon solvents which may react and explode.

- Check pump motor section, fluid caps, manifolds and all wetted parts to assure compatibility before using with solvents of this type.

⚠ WARNING HAZARDOUS MATERIALS. Can cause serious injury or property damage. Do not attempt to return a pump to the factory or service center that contains hazardous material. Safe handling practices must comply with local and national laws and safety code requirements.

- Obtain Material Safety Data Sheets on all materials from the supplier for proper handling instructions.

⚠ CAUTION Verify the chemical compatibility of the pump wetted parts and the substance being pumped, flushed or recirculated. Chemical compatibility may change with temperature and concentration of the chemical(s) within the substances being pumped, flushed or circulated. For specific fluid compatibility, consult the chemical manufacturer.

⚠ CAUTION Maximum temperatures are based on mechanical stress only. Certain chemicals will significantly reduce maximum safe operating temperature. Consult the chemical manufacturer for chemical compatibility and temperature limits. Refer to PUMP DATA on page 1 of this manual.

⚠ CAUTION Be certain all operators of this equipment have been trained for safe working practices, understand it's limitations, and wear safety goggles / equipment when required.

⚠ CAUTION Do not use the pump for the structural support of the piping system. Be certain the system components are properly supported to prevent stress on the pump parts.

- Suction and discharge connections should be flexible connections (such as hose), not rigid piped, and should be compatible with the substance being pumped.

⚠ CAUTION Prevent unnecessary damage to the pump. Do not allow pump to operate when out of material for long periods of time.

- Disconnect air line from pump when system sits idle for long periods of time.

⚠ CAUTION Use only genuine ARO replacement parts to assure compatible pressure rating and longest service life.

NOTICE Replacement warning labels are available upon request: "Static Spark PN \ 93122 & Diaphragm Rupture PN \ 93616-1."

NOTICE RE-TORQUE ALL FASTENERS BEFORE OPERATION. Creep of housing and gasket materials may cause fasteners to loosen. Re-torque all fasteners to insure against fluid or air leakage.

⚠ WARNING = Hazards or unsafe practices which could result in severe personal injury, death or substantial property damage.

⚠ CAUTION = Hazards or unsafe practices which could result in minor personal injury, product or property damage.

NOTICE = Important installation, operation or maintenance information.

AIR AND LUBE REQUIREMENTS

⚠ WARNING EXCESSIVE AIR PRESSURE. Can cause pump damage, personal injury or property damage.

- A filter capable of filtering out particles larger than 50 microns should be used on the air supply. There is no lubrication required other than the “O” ring lubricant which is applied during assembly or repair.
- If lubricated air is present, make sure that is compatible with the Nitrile “O” rings in the air motor section of the pump.

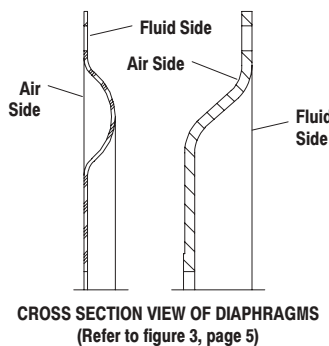
OPERATING INSTRUCTIONS

- Always flush the pump with a solvent compatible with the material being pumped if the material being pumped is subject to “setting up” when not in use for a period of time.
- Disconnect the air supply from the pump if it is to be inactive for a few hours.
- The outlet material volume is governed not only by the air supply but also by the material supply available at the inlet. The material supply tubing should not be too small or restrictive. Be sure not to use hose which might collapse.
- When the diaphragm pump is used in a forced-feed (flooded inlet) situation it is recommended that a “Check Valve” be installed at the air inlet.
- Secure the diaphragm pump legs to a suitable surface to insure against damage by vibration.

MAINTENANCE

Refer to the part views and descriptions as provided on page 4 through 7 for parts identification and Service Kit information.

- Certain ARO “Smart Parts” are indicated which should be available for fast repair and reduction of down time.
- Service kits are divided to service two separate diaphragm pump functions: 1. AIR SECTION, 2. FLUID SECTION. The FLUID SECTION is divided further to match typical part MATERIAL OPTIONS.
- Provide a clean work surface to protect sensitive internal moving parts from contamination from dirt and foreign matter during service disassembly and reassembly.



MAINTENANCE CONTINUED

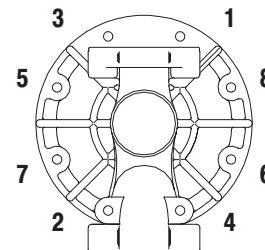
- Keep good records of service activity and include pump in preventive maintenance program.
- Before disassembling empty captured material in the outlet manifold by turning the pump upside down to drain material from the pump.

FLUID SECTION DISASSEMBLY

1. Remove top manifold(s).
 2. Remove (22) balls, (19 and 33) “O” rings and (21) seats.
 3. Remove (15) fluid caps.
- NOTE: Only Teflon diaphragm models use a (7) primary diaphragm and an (8) backup diaphragm. Refer to the auxiliary view in the Fluid Section illustration.
4. Remove the (6) nut, (7) or (7 / 8) diaphragms and (5) washers.
 5. Remove (3 and 4) “O” rings.
- NOTE: Do not scratch or mar the surface of (1) diaphragm rod.

FLUID SECTION REASSEMBLY

- Reassemble in reverse order.
- Clean and inspect all parts. Replace worn or damaged parts with new parts as required.
- Lubricate (1) diaphragm rod and (2) “O” ring with Key-Lube® grease.
- Use ARO PN / 98930-T Bullet (installation tool) to aid in installation of (2) “O” ring on (1) diaphragm rod.
- Be certain (7) or (7 / 8) diaphragm(s) align properly with (15) fluid caps before making final torque adjustments on bolt and nuts to avoid twisting the diaphragm.
- For models with Teflon diaphragms: Item (8) Santoprene diaphragm is installed with the side marked “AIR SIDE” towards the pump center body. Install the Teflon Diaphragm with the side marked “FLUID SIDE” towards the fluid cap.
- Re-check torque settings after pump has been re-started and run a while.



Torque Sequence
(Refer to figure 3, page 5)

Figure 2

PARTS LIST / 6661AX-X-C FLUID SECTION

FLUID SECTION SERVICE KITS

☆ KITS INCLUDE: BALLS (See BALL Option, refer to -XX in chart below), DIAPHRAGMS (See DIAPHRAGM Option, refer to -XX in chart below), plus "O" ring items (2), (3), (4), (19) and (33) (listed below) plus a 93706-1 Key-Lube grease packet (see page 6).

SEAT OPTIONS 6661XX-XXX-C				BALL OPTIONS 6661XX-XXX-C							
"21"				☆ "22" (1-1/4" dia.)							
-XXX	Seat	Qty	[Mtl]	-XXX	Ball	Qty	[Mtl]	-XXX	Ball	Qty	[Mtl]
-2XX	95093	(4)	[SS]	-X1X	93278-1	(4)	[N]	-X8X	93278-8	(4)	[U]
-3XX	94707-1	(4)	[P]	-X2X	93278-2	(4)	[B]	-XAX	92408	(4)	[SS]
-4XX	94707-2	(4)	[K]	-X3X	93278-3	(4)	[V]	-XEX	93278-A	(4)	[SP]
-8XX	94706	(4)	[SH]	-X4X	93278-4	(4)	[T]	-XMX	93278-M	(4)	[SPM]
				-X5X	93278-5	(4)	[E]				

MATERIAL CODE
[B] = Nitrile
[C] = Carbon Steel
[E] = E.P.R.
[H] = Hytrel
[K] = P.V.D.F. (Kynar)
[N] = Neoprene
[P] = Polypropylene
[SP] = Santoprene
[SPM] = Medical Grade Santoprene
[SH] = Hard Stainless Steel
[SS] = Stainless Steel
[T] = Teflon
[U] = Polyurethane
[V] = Viton

DIAPHRAGM OPTIONS 6661XX-XXX-C

-XXX	☆ SERVICE KIT	☆ "7" / "8"		☆ "3"		☆ "4"		☆ "19"		☆ "33"	
	-XX = (Ball) -XX = (Diaphragm)	Diaphragm (2)	[Mtl]	"O" Ring (2) 5/8" o.d.	[Mtl]	"O" Ring (2) 11/16" o.d.	[Mtl]	"O" Ring (4) 2-1/8" o.d.	[Mtl]	"O" Ring (♣) 1-5/8" o.d.	[Mtl]
-XX1	637161-X1-C	90533-1	[N]	Y325-14	[B]	Y325-112	[B]	Y325-225	[B]	Y325-220	[B]
-XX2	637161-X2-C	90533-2	[B]	Y325-14	[B]	Y325-112	[B]	Y325-225	[B]	Y325-220	[B]
-XX3	637161-X3-C	90533-3	[V]	Y328-14	[T]	Y328-112	[T]	Y327-225	[V]	Y327-220	[V]
-XX4	637161-X4-C	93459-4 / 92973-B	[T/SP]	Y328-14	[T]	Y328-112	[T]	93282	[T]	93281	[T]
-XX5	637161-X5-C	90533-5	[E]	Y328-14	[T]	Y328-112	[T]	93280	[E]	93279	[E]
-XX9	637161-X9-C	90533-9	[H]	Y328-14	[T]	Y328-112	[T]	Y327-225	[V]	Y327-220	[V]
-XXB	637161-XB-C	90533-B	[SP]	Y328-14	[T]	Y328-112	[T]	93280	[E]	93279	[E]
-XXM	637161-XM-C	90533-M	[SPM]	Y328-14	[T]	Y328-112	[T]	93282	[T]	93281	[T]

♣ Quantity of eight (8) required for models 6661X3-X, 6661X4-X and 6661XP-X.
 Quantity of four (4) required for models 6661XE-X, 6661XG-X, 6661XJ-X, 6661XK-X, 6661XL-X, 6661XN-X, 6661XR-X, 6661XS-X and 6661XT-X.

MANIFOLD / FLUID CAP MATERIAL OPTIONS 6661XX-XXX-C

Item	Description (Size in inches)	Qty	POLYPROPYLENE						P.V.D.F.					
			6661X3- 6661XP-		6661XF- 6661XR-		6661XJ-, XL- 6661XS-, XT-		6661X4-		6661XG-		6661XK-, XN-	
Part No.	Mtl	Part No.	Mtl	Part No.	Mtl	Part No.	Mtl	Part No.	Mtl	Part No.	Mtl	Part No.	Mtl	
□ 6	Diaphragm Nut (1/2" - 20)	(2)	93239-1	[P]	93239-1	[P]	93239-1	[P]	93239-2	[K]	93239-2	[K]	93239-2	[K]
15	Fluid Cap	(2)	93235-[○]	[P]	93235-[○]	[P]	93235-[○]	[P]	93235-2	[K]	93235-2	[K]	93235-2	[K]
34	Manifold, Outlet (Top)	(2)	93236-[○]	[P]				93236-2	[K]					
35	Manifold, Foot (Bottom)	(2)	93237-[○]	[P]				93237-2	[K]					
36	Swivel	(2)	93238-[○]	[P]				93238-2	[K]					
□ 37	Clamp	(8)	93283	[SS]				93283	[SS]					
38	Bolt (1/4" - 20 x 1-1/2")	(8)	Y84-403-T	[SS]				Y84-403-T	[SS]					
39	Nut (1/4" - 20)	(8)	Y12-4-S	[SS]				Y12-4-S	[SS]					
60	Inlet Manifold (Bottom)	(1)			95746-[○]	[P]	95747-[⊞]	[P]		95746-2	[K]	95747-[○]	[K]	
61	Outlet Manifold (Top)	(1)			95744-[○]	[P]	95745-[⊞]	[P]		95744-2	[K]	95745-[○]	[K]	

⊞ For N.P.T.F. thread colorless Polypropylene models (6661XJ-), use "-1". For BSP thread colorless Polypropylene models (6661XL-), use "-3".
 For N.P.T.F. thread gray Polypropylene models (6661XS-), use "-5". For BSP thread gray Polypropylene models (6661XT-), use "-6".

◇ For N.P.T.F. thread models (6661XK-), use "-2". For BSP thread models (6661XN-), use "-4".

○ For colorless Polypropylene models (6661X3-, 6661XE-, 6661XJ-, 6661XL-), use "-1". For gray Polypropylene models (6661XP-, 6661XR-, 6661XS-, 6661XT-), use "-3".

COMMON PARTS

ITEM	DESCRIPTION (Size in inches)	Qty	Part No.	[Mtl]	ITEM	DESCRIPTION (Size in inches)	Qty	Part No.	[Mtl]
□ 1	Rod	(1)	98724-1	[C]	26	Bolt (3/8" - 16 x 2-1/4")	(4)	Y6-610-T	[SS]
☆ 2	"O" Ring (3/32" x 3/4" o.d.)	(1)	Y330-113	[B]	27	Bolt (5/16" - 18 x 4-1/2")	(4)	Y6-518-T	[SS]
5	Plate	(2)	93441-2	[C]	28	Washer (5/16" i.d.)	(4)	93359-1	[SS]
24	Washer (13/32" i.d.)	(8)	93360-1	[SS]	29	Nut (5/16" - 18)	(12)	93886	[SS]
25	Bolt (3/8" - 16 x 1-1/2")	(4)	Y6-67-T	[SS]					

□ "Smart Parts" keep these items on hand in addition to the Service Kits for fast repair and reduction of down time.

PARTS LIST / 6661AX-X-C FLUID SECTION

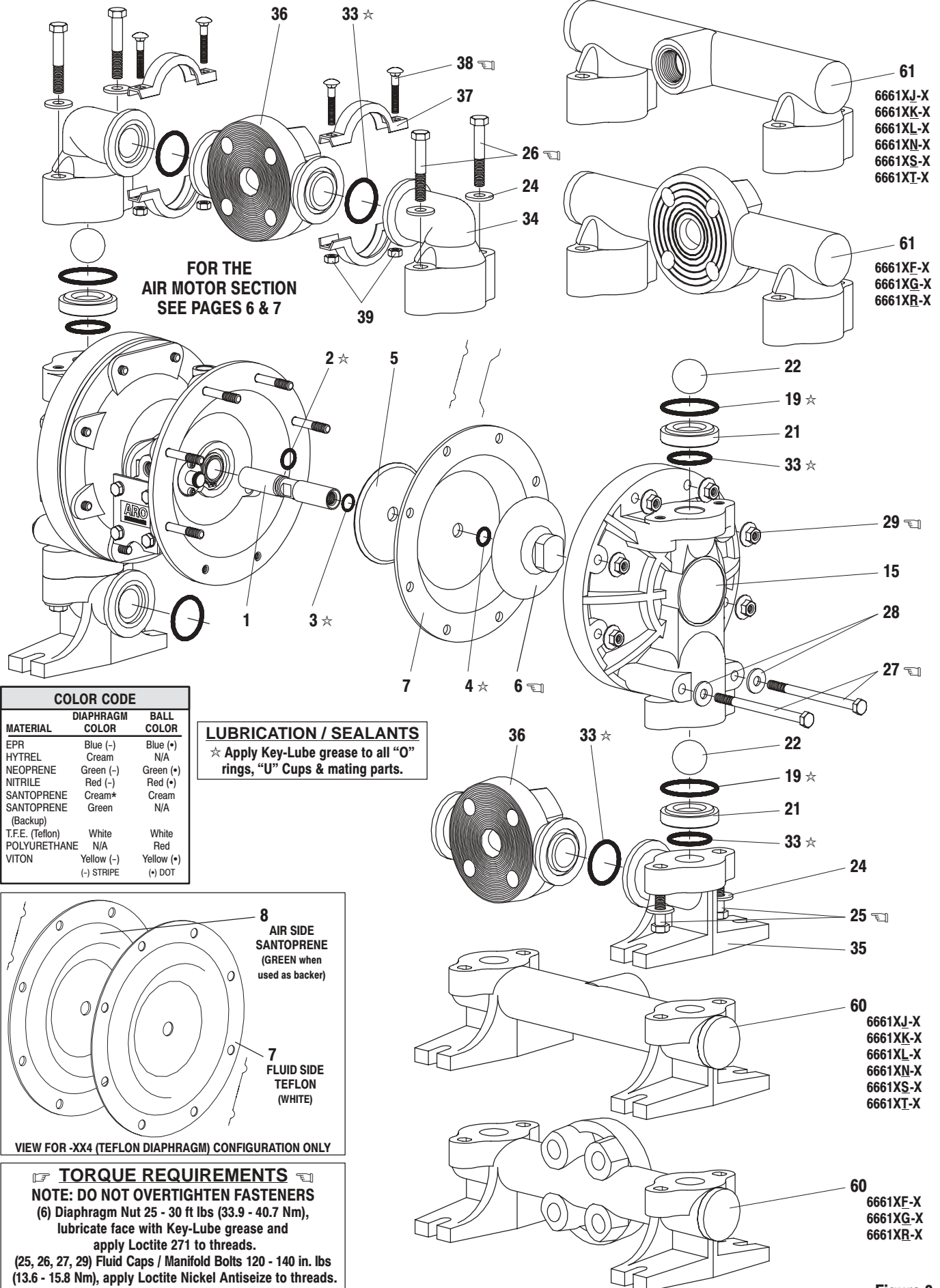


Figure 3

PARTS LIST / 6661AX-X-C AIR MOTOR SECTION

✓ Indicates parts included in 637118-C Air Section Service Kit.

SERVICE KIT NOTE: Service Kit 637118-C is a general repair kit for all 1" and larger ARO diaphragm pump air motors. It contains extra "O" Rings and extra parts that may not be needed to service this model.

ITEM	DESCRIPTION (Size in inches)	Qty	Part No.	[Mtl]
101	Motor Body (6661AX-XXX-C)	(1)	94743	[A]
	(6661BX-XXX-C)	(1)	94741	[C]
✓102	"O" Ring (1/16" x 1" o.d.)	(2)	Y325-20	[B]
□103	Sleeve	(1)	94527	[D]
✓104	Retaining Ring, TruArc (.925" i.d.)	(2)	Y145-25	[C]
105	Screw (1/4" - 20 x 5/8")	(8)	Y6-42-T	[SS]
106	Lock Washer (1/4")	(8)	Y14-416-T	[SS]
107	Plate	(2)	93707-1	[SS]
✓108	Gasket (with notch)	(1)	92878	[B/Ny]
□109	Piston	(1)	92011	[D]
✓110	"U" Cup (3/16" x 1-3/8" o.d.)	(1)	Y186-51	[B]
□111	Spool (6661AX-XXX-C)	(1)	92005	[A]
	(6661BX-XXX-C)	(1)	93047	[C]
□112	Washer (1.557" o.d.)	(5)	92877	[Z]
✓113	"O" Ring (1/8" x 1-1/4" o.d.)	(5)	Y325-214	[B]
✓114	"O" Ring (3/32" x 1-9/16" o.d.)	(6)	Y325-126	[B]
□115	Spacer	(4)	92876	[Z]

ITEM	DESCRIPTION (Size in inches)	Qty	Part No.	[Mtl]
□116	Spacer	(1)	92006	[Z]
✓117	Gasket	(1)	92004	[B/Ny]
118	Pilot Rod	(1)	93309-1	[C]
✓119	"O" Ring (1/8" x 3/4" o.d.)	(4)	93075	[U]
120	Spacer	(3)	115959	[Z]
121	Sleeve Bushing	(2)	98723-1	[Bz]
✓122	"O" Ring (3/32" x 9/16" o.d.)	(2)	94820	[U]
✓123	Screw (#8 - 32 x 3/8")	(4)	Y154-41	[C]
124	Screw (5/16" - 18 x 2-3/8")	(12)	93277	[SS]
128	Pipe Plug (1/8 - 27 N.P.T. x 1/4")	(1)	Y227-2-L	[C]
195	Button Head Screw (1/4" - 20 x 1/4")	(3)	94987	[SS]
201	Muffler	(1)	93110	[C]
✓	Key-Lube "O" Ring Lubricant	(1)	93706-1	
	Pak of 10 Key-Lube	(10)	637175	
✓	Service Kits include: Y212-101 (2) Screws (#10 - 32 x 1/4") used on units manufactured between 8/90 and 4/92 to retain the pilot bushing.			

AIR MOTOR SECTION SERVICE

Service is divided into two parts - 1. Pilot Valve, 2. Major Valve.

GENERAL REASSEMBLY NOTES:

- Air Motor Section Service is continued from Fluid Section repair.
- Inspect and replace old parts with new parts as necessary. Look for deep scratches on metallic surfaces, and nicks or cuts in "O" rings.
- Take precautions to prevent cutting "O" rings upon installation.
- Lubricate "O" rings with Key-Lube grease.
- Do not over-tighten fasteners, refer to torque specification block on view.
- Re-torque fasteners following restart.

PILOT VALVE DISASSEMBLY

1. Remove (104) retaining ring.
2. Remove (123) screws and (122) "O" rings.
3. Remove (118) piston rod, (121) sleeve bushing, (119) "O" rings and (120) spacers from the (101) motor body.
4. Remove (103) sleeve and (102) "O" rings.

PILOT VALVE REASSEMBLY

1. Replace two (102) "O" rings if worn or damaged and reinstall (103) sleeve.
2. Install one of the (121) sleeve bushings, (119) "O" rings, (120) spacers and the remaining (121) bushing.
3. Carefully push (118) pilot rod into bushings etc. and retain on each end with the two (122) "O" rings, retain with (123) screws.
4. Replace (104) retaining rings.

MATERIAL CODE

[A] = Aluminum	[C] = Cast Iron	[P] = Polypropylene
[B] = Nitrile	[D] = Acetal	[U] = Polyurethane
[Bz] = Bronze	[N] = Neoprene	[SS] = Stainless Steel
[C] = Carbon Steel	[Ny] = Nylon	[Z] = Zinc

MAJOR VALVE DISASSEMBLY

1. Remove (107) plate (or leg depending on model), (108 and 117) gaskets.
2. On the side opposite the air inlet, push on the inner diameter (111) spool. This will force the (109) piston out. Continue pushing the (111) spool and remove. Check for scratches and gouges.
3. Reach into the air section (exhaust side) and remove (116) spacer, (115) spacers, (113) "O" rings, (114) "O" rings, (112) washers, etc. Check for damaged "O" rings.

MAJOR VALVE REASSEMBLY

1. Replace (112) washer, (114) "O" ring and (113) "O" ring onto (115) spacer and insert etc.
- NOTE: Be careful to orient spacer legs away from blocking internal ports.**
2. Lubricate and carefully insert (111) spool.
 3. Install (117) gasket and (107).
 4. Lubricate and install (110) packing cup and insert (109) piston into (air inlet side) cavity, the (110) packing cup lips should point outward.
 5. Install (108) gasket and replace (107).

IMPORTANT
 BE CERTAIN TO ORIENT (115) SPACER LEGS
 AWAY FROM BLOCKING INTERNAL PORTS
 WHEN REASSEMBLING AIR SECTION.

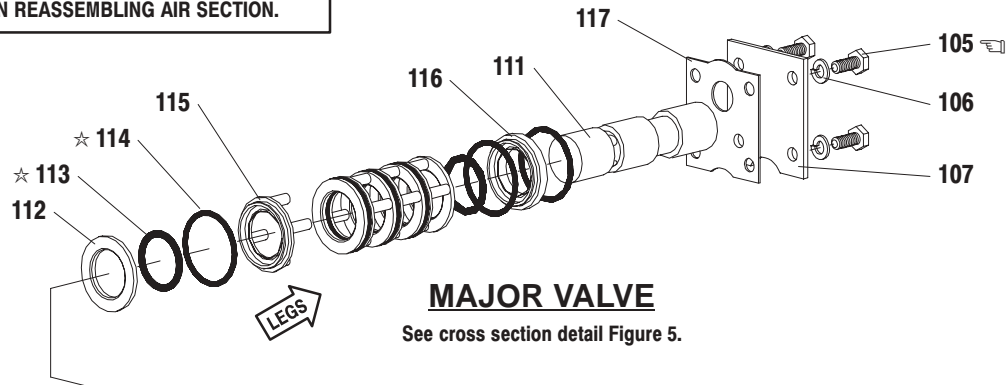
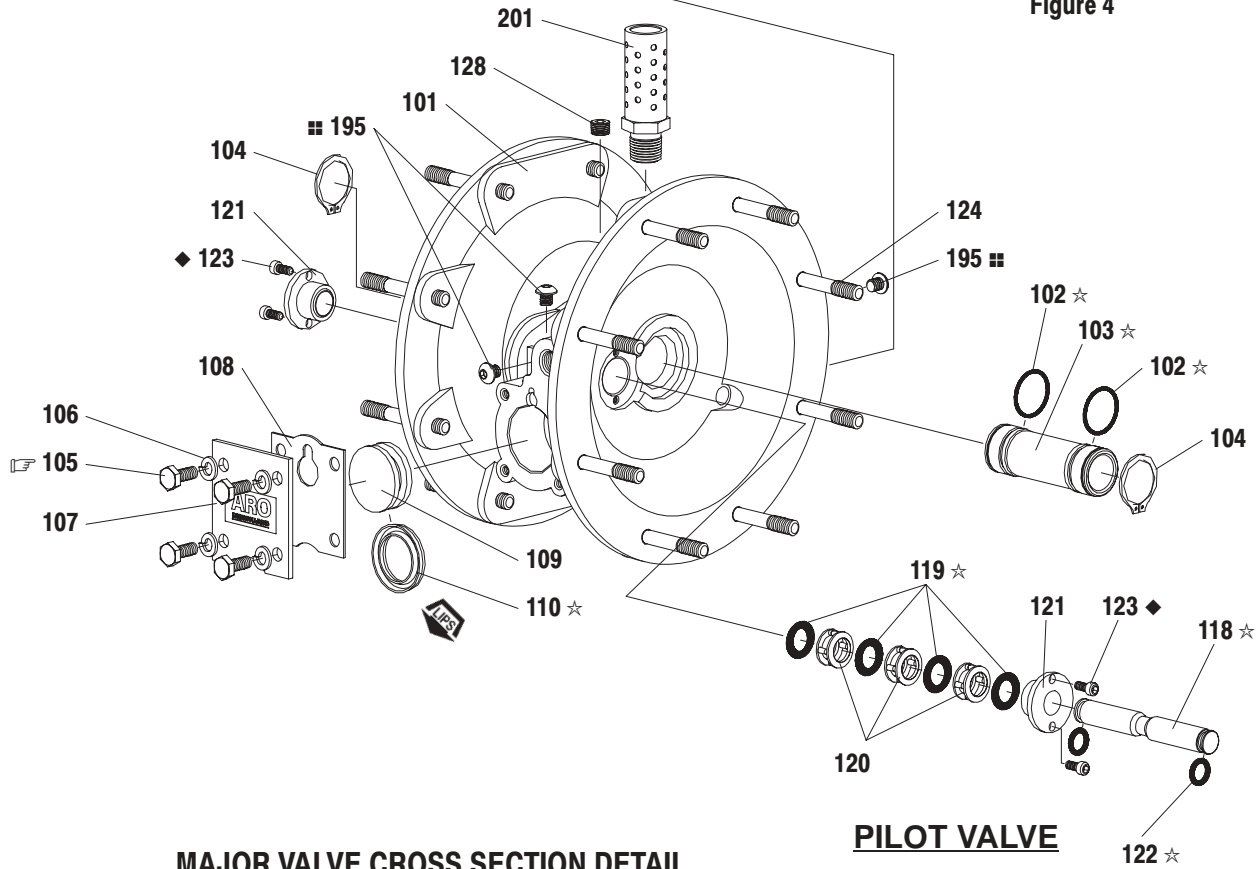
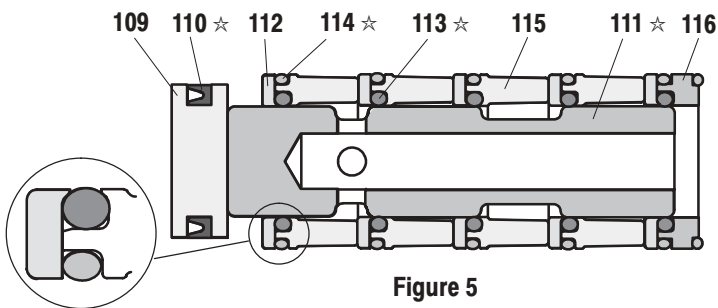


Figure 4



MAJOR VALVE CROSS SECTION DETAIL



TORQUE REQUIREMENTS
 NOTE: DO NOT OVERTIGHTEN FASTENERS
 (105) 40 - 50 in. lbs (4.5 - 5.6 Nm).

LUBRICATION / SEALANTS
 ☆ Apply Key-Lube to all "O" rings, "U" Cups & mating parts.
 ◆ Apply Loctite 271 to threads.
 ■ Apply Dri-Loc 204 to threads.

TROUBLE SHOOTING

Product discharged from exhaust outlet.

- Check for diaphragm rupture.
- Check tightness of diaphragm nut.

Air bubbles in product discharge.

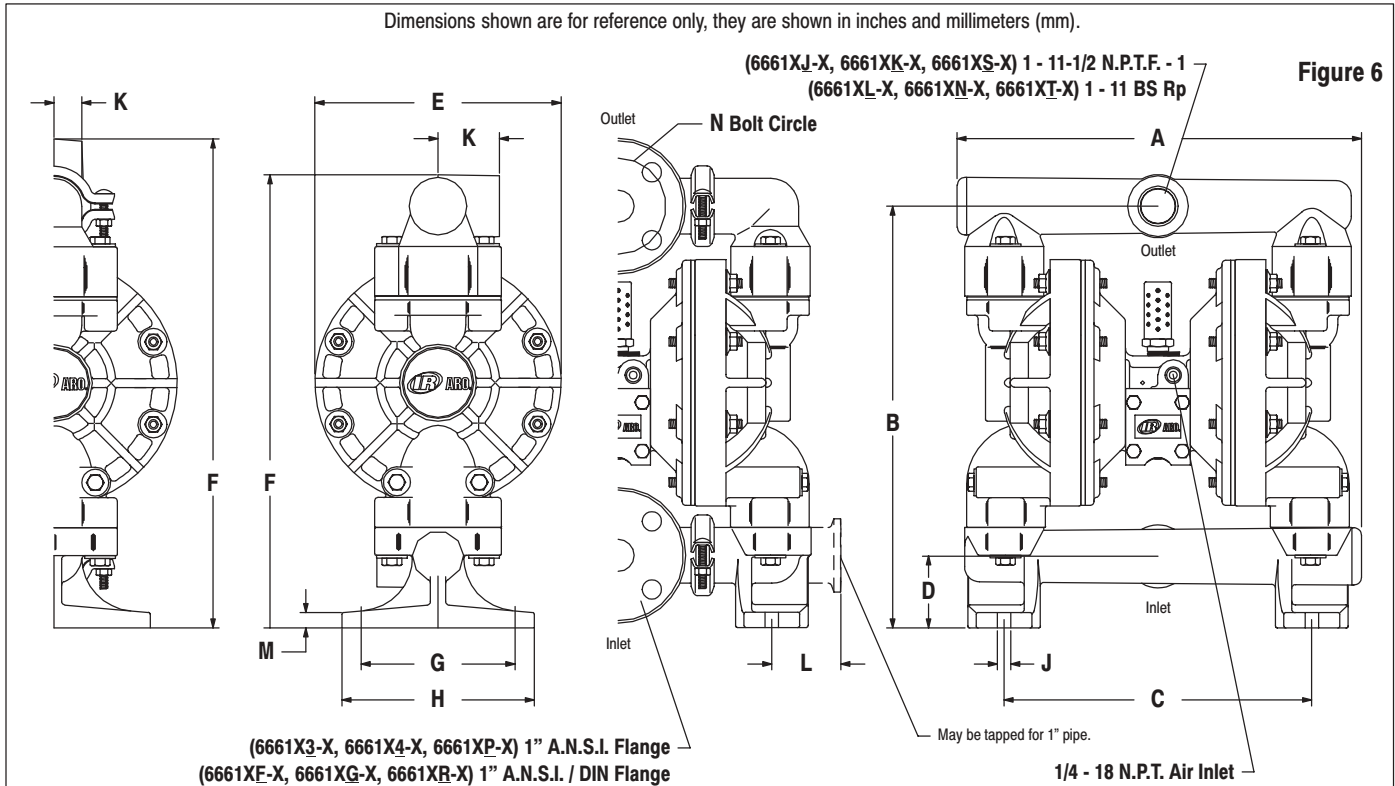
- Check connections of suction plumbing.
- Check "O" rings between intake manifold and fluid caps.
- Check tightness of diaphragm nut.

Low output volume, erratic flow, or no flow.

- Check air supply.
- Check for plugged outlet hose.
- Check for kinked (restrictive) outlet material hose.
- Check for kinked (restrictive) or collapsed inlet material hose.
- Check for pump cavitation - suction pipe should be sized at least as large as the inlet thread diameter of the pump for proper flow if high viscosity fluids are being pumped. Suction hose must be a non-collapsing type, capable of pulling a high vacuum.
- Check all joints on the inlet manifolds and suction connections. These must be air tight.
- Inspect the pump for solid objects logged in the diaphragm chamber or the seat area.

DIMENSIONAL DATA

Dimensions shown are for reference only, they are shown in inches and millimeters (mm).



DIMENSIONS

	6661X3-X 6661XP-X	6661X4-X	6661XJ-X 6661XL-X 6661XS-X 6661XT-X	6661XK-X 6661XN-X	6661XF-X 6661XR-X	6661XG-X
A	12-21/32" (321 mm)	12-15/32" (316 mm)	13-5/32" (334 mm)	13-1/32" (331 mm)	13-5/32" (334 mm)	13-1/32" (331 mm)
B	13-25/32" (349 mm)	13-19/32" (345 mm)	13-25/32" (350 mm)	13-19/32" (345 mm)	13-25/32" (350 mm)	13-19/32" (345 mm)
C	10-1/16" (255 mm)	9-15/16" (252 mm)	10-1/16" (255 mm)	9-15/16" (252 mm)	10-1/16" (255 mm)	9-15/16" (252 mm)
D	2-3/8" (60 mm)	2-11/32" (59 mm)	2-11/32" (59 mm)	2-5/16" (59 mm)	2-11/32" (59 mm)	2-5/16" (59 mm)
E	8-1/16" (204 mm)	7-15/16" (201 mm)	8-1/16" (204 mm)	7-15/16" (201 mm)	8-1/16" (204 mm)	7-15/16" (201 mm)
F	16" (406 mm)	15-25/32" (400 mm)	14-13/16" (376 mm)	14-5/8" (371 mm)	16" (406 mm)	15-25/32" (401 mm)
G	5-1/32" (128 mm)	4-31/32" (126 mm)	5-1/32" (128 mm)	4-31/32" (126 mm)	5-1/32" (128 mm)	4-31/32" (126 mm)
H	6-9/32" (160 mm)	6-7/32" (157 mm)	6-9/32" (160 mm)	6-7/32" (157 mm)	6-9/32" (160 mm)	6-7/32" (157 mm)
J	7/16" (11 mm)	7/16" (11 mm)	7/16" (11 mm)	7/16" (11 mm)	7/16" (11 mm)	7/16" (11 mm)
K	15/16" (23 mm)	29/32" (23 mm)	2" (51 mm)	1-25/32" (50 mm)	1-1/32" (26 mm)	1" (25 mm)
L	2-9/32" (57 mm)	2-1/4" (56 mm)				
M	1/2" (13 mm)	1/2" (13 mm)	1/2" (13 mm)	1/2" (13 mm)	1/2" (13 mm)	1/2" (13 mm)
N	3.140" (80 mm)	3.097" (79 mm)			3.140" (80 mm)	3.097" (79 mm)