

BLACKMER PARTS LIST

PUMP MODELS: C12-A, C18-A

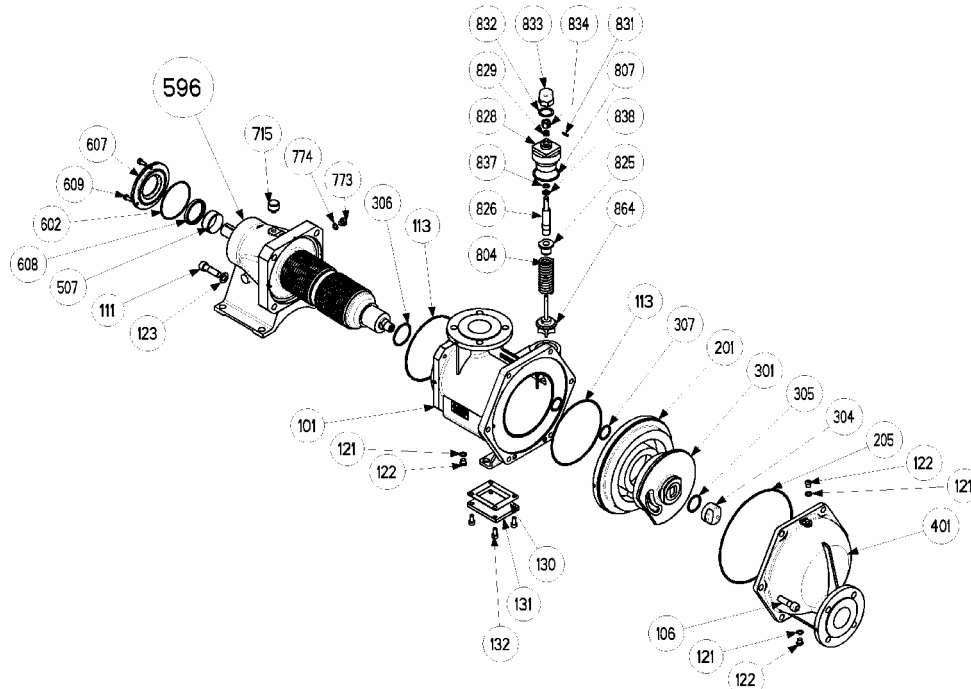
PUMP & TRANSMISSION

(See Instructions 1001-E00 for Installation, Operation and Maintenance)

967007
Page 1 of 1

PARTS LIST
1001-E02

Section	1000
Effective	May 2005
Replaces	February 2001



Kit No.	Ref. No.	Description	Parts per Pump	Part No.	Kit No.	Ref. No.	Description	Parts per Pump	Part No.
100		Inlet Sleeve w/ ANSI Compatible 150# Flange	1	Y311512	820		Bypass Assembly without Spring	1	Note 1:
	101	Inlet Sleeve				864*	Valve	(1)	
		Inlet Sleeve w/ ANSI Flange & Heat Jacket		Y311513		807*	Seal Ring	(1)	
	101*	Inlet Sleeve	(1)			825*	Spring Support	(1)	
	130*	Jacket Cover Plate Gasket	(1)			826*	Adjusting Screw	(1)	
	131*	Heat Jacket Cover Plate	(1)			828*	R/V Cover	(1)	
119	132*	Capscrews-Heat Jacket Cover Plate	(4)			829*	Spring	(1)	
		C12-A & C18-A Bolt Kit-consists of:	1	Y311757		831*	Pin	(1)	
		C12-A & C18-A w/ Heat Jacket Bolt Kit-consists of:		Y311758		832*	Flat Seal	(1)	
	106*	Hex Socket Bolts	(6)			833*	Cap	(1)	
	111*	Inlet Sleeve Stud	(4)			834*	Adjusting Nut	(1)	
200	123*	Washer	(4)			837*	Seal Ring	(1)	
	132*	Screw (With Heat Jacket Only)	(4)		838*	Washer	(1)		
		C12-A Cylinder & Disc Assembly – consists of:	1	Y312586		Pump Seal Kit- FKM (std)-consists of:		Y31151	
		C18-A Cylinder & Disc Assembly – consists of:		Y311775		Pump Seal Kit-PTFE Encaps.-consists of:	1	Y31190	
596	201*	Cylinder	(1)			Pump Seal Kit- FKM - Heat Jacket Pump		Y31151	
	301*	Disc	(1)			Pump Seal Kit-PTFE Encaps.- Heat Jacket		Y31190	
	304*	Disc Nut	(1)		113*	Seal Ring	(2)		
009	401	Cover Plate w/ ANSI Compatible 150# Flange	1	Y218142	130*	Jacket Cover Plate Gasket	(1)		
		Transmission Seal Kit-consists of:	1	Y311594	205*	Seal Ring	(1)		
	507*	Bushing	(1)		305*	Seal Ring	(1)		
	602*	Seal Ring	(1)		306*	Seal Ring	(2)		
	608*	Lip Seal	(1)		307*	Seal Ring	(1)		
	609*	Screws	(3)		807*	Seal Ring	(1)		
008		Transmission Plug Kit-consists of:	1	Y311441	832*	Flat Seal	(1)		
	715*	Filler Plug	(1)		837*	Seal Ring	(1)		
	773*	Drain Plug	(1)			Relief Valve Spring			
140	774*	Plug Washer	(1)			.8 – 2.5 Bars (12 – 36 psi)		Y20113	
		Pump Drain Plug Set	1	Y311776		2 – 6.5 Bars (29 – 79/94 psi)	1	Y20117	
	121	Metallic Seal Ring	(2)			5 – 8 Bars (72 – 116 psi) C12-A ONLY		Y21237	
	122	Plug	(2)						

Keep this parts list with Installation, Operation and Maintenance

* () Parts included in Kit. **Note 1:** By-pass Assy. w/o Spring – pn. **Y311520** (12-36 psi) C12/C18-A, pn. **Y311881** (29-79 psi) C18-A, pn. **Y311884** (29-94 psi) C12-A, pn. **Y311883** (72-116 psi) C12-A



1809 Century Avenue, Grand Rapids, Michigan 49503-1530, U.S.A.
Telephone: (616) 241-1611 / Fax: (616) 241-3752
E-Mail: blackmer@blackmer.com / Internet: www.blackmer.com