

# BLACKMER PARTS LIST

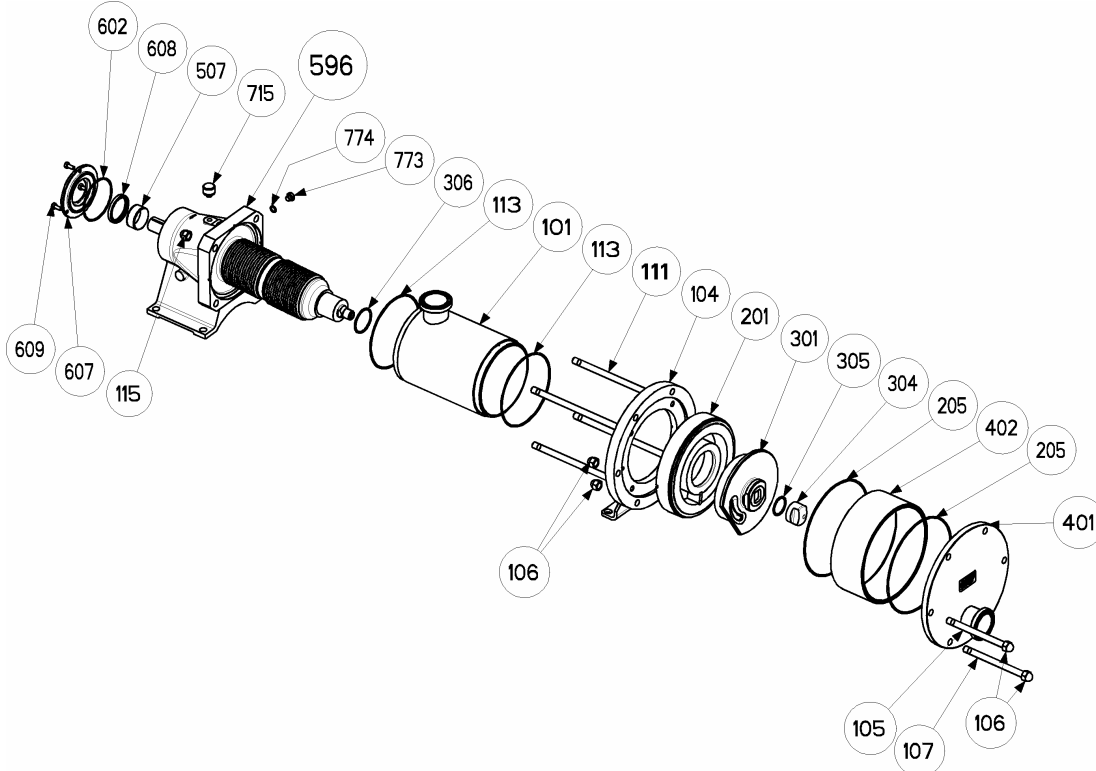
## PUMP MODELS: C12-I, C18-I

### PUMP & TRANSMISSION

(See Instructions 1001-A00 for Installation, Operation and Maintenance)

967002      **PARTS LIST**  
Page 1 of 1      **1001-A02**

Section	1001
Effective	Sept 2006
Replaces	June 2005



Kit No.	Ref. No.	Description	Parts per Pump	Part No.	Kit No.	Ref. No.	Description	Parts per Pump	Part No.	
100		Inlet Tube with ANSI Flanges – consists of:	1	Y311726	400		Cover Plate with ANSI Flanges	1	Y311728	
		Inlet Tube with Clamp Flanges – consists of:		Y311644			Cover Plate with SMS Flanges		Y311590	
		Inlet Tube with SMS Flanges – consists of:		Y311581			Cover Plate with Clamp Flanges		Y311637	
		Inlet Tube with Cherry Burrel Flanges – consists of:		Y311607			Cover Plate with Cherry Burrel Flanges		Y311609	
		Inlet Tube & ANSI Flanges & Heat Jackets		Y311860			401* Cover Plate with Flange		(1)	
		Inlet Tube & Clamp Flanges & Heat Jackets		Y311857	008		402* Spacer	(1)		
		Inlet Tube & SMS Flanges & Heat Jackets		Y311853			Transmission Plug Kit – consists of:		1	Y311441
		Inlet Tube & Cherry Burrel Flanges & Heat Jackets		Y311855			715*	Filler Plug	(1)	
		101* Inlet Tube		(1)			773*	Drain Plug	(1)	
	104* Inlet Tube Flange	(1)			774*	Plug Washer	(1)			
119		C12-I Stud & Hex Head Nut Kit - consists of:	1	Y311580	206		Pump Seal Kit-FKM (std) – consists of:	1	Y311588	
		C18-I Stud & Hex Head Nut Kit - consists of:		Y311748			Pump Seal Kit-PTFE Encaps. – consists of:		Y311589	
		106* Hex Head Nut		(12)			Pump Seal Kit-FDA FKM – consists of:		Y311763	
		107* Cover Plate Stud		(6)			205*	Seal Ring	(2)	
		111* Inlet Tube Stud		(4)			113*	Seal Ring	(2)	
200		C12-I Cylinder & Disc Assembly – consists of:	1	Y312865		306*	Seal Ring	(1)		
		C18-I Cylinder & Disc Assembly – consists of:		Y311746		305*	Seal Ring	(1)		
		201* Cylinder		(1)	009		Transmission Seal Kit – consists of:		1	Y312370
	301* Disc	(1)		602*		Seal Ring	(1)			
304		Disc Nut – C12-I	1	Y218053			507*	Bushing	(1)	
		– C18-I		Y218397			608*	Lip Seal	(1)	
596		Complete Transmission Assembly – Non Jacketed	1	Y311592		609*	Screws	(3)		
		– Jacketed		Y312307						

Keep this parts list with Installation, Operation and Maintenance Instructions. \* ( ) Parts included in Kit



1809 Century Avenue, Grand Rapids, Michigan 49509-1595, U.S.A.  
Telephone: (616) 241-1611 / Fax: (616) 241-3752  
E-Mail: blackmer@blackmer.com / Internet: www.blackmer.com