

BLACKMER PARTS LIST

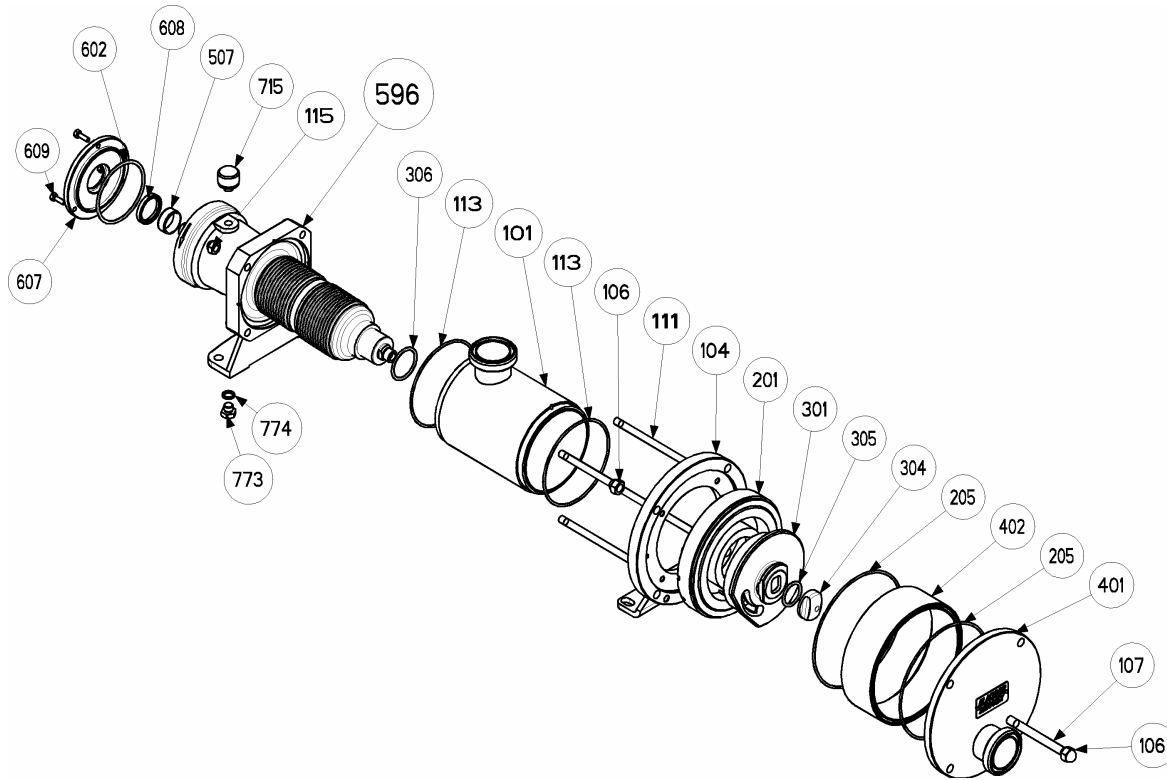
PUMP MODELS: C4-I, C8-I

PUMP & TRANSMISSION

(See Instructions 1001-A00 for Installation, Operation and Maintenance)

967001 **PARTS LIST**
Page 1 of 1 **1001-A01**

Section	1001
Effective	Sept 2006
Replaces	July 2005



Kit No.	Ref. No.	Description	Parts per Pump	Part No.	Kit No.	Ref. No.	Description	Parts per Pump	Part No.
100		Inlet Tube with ANSI Flanges	1	Y311725	400		Cover Plate with ANSI Flanges	1	Y311727
		Inlet Tube with Clamp Flanges		Y311675			Cover Plate with SMS Flanges		Y311344
		Inlet Tube with SMS Flanges		Y311345			Cover Plate with Clamp Flanges		Y311636
		Inlet Tube with Cherry Burrel Flanges		Y311603			Cover Plate with Cherry Burrel Flanges		Y311605
		Inlet Tube & ANSI Flanges & Heat Jackets		Y311852			401* Cover Plate with Flange		(1)
		Inlet Tube & Clamp Flanges & Heat Jackets		Y311849		402* Spacer	(1)		
		Inlet Tube & SMS Flanges & Heat Jackets		Y311845	008		Transmission Plug Kit – consists of:	1	Y311441
		Inlet Tube & Cherry Burrel Flanges & Heat Jackets		Y311847			715* Filler Plug	(1)	
	101*	Inlet Tube		(1)			773* Drain Plug	(1)	
	104*	Inlet Tube Flange		(1)			774* Plug Washer	(1)	
119		C4-I Stud & Hex Head Nut Kit - consists of:	1	Y311443	206		Pump Seal Kit-FKM (std) – consists of:	1	Y311347
		C8-I Stud & Hex Head Nut Kit - consists of:		Y311878			Pump Seal Kit –PTFE Encaps. – consists of:		Y311408
	106*	Hex Head Nut	(8)				Pump Seal Kit-FDA FKM– consists of:		Y311737
	107*	Cover Plate Stud	(4)			205* Seal Ring	(2)		
	111*	Inlet Tube Stud	(4)			113* Seal Ring	(2)		
	115*	Hex Head Nut	(4)			306* Seal Ring	(1)		
200		C4-I Cylinder & Disc Assembly – consists of:	1	Y313397	009		305* Seal Ring	(1)	
		C8-I Cylinder & Disc Assembly – consists of:		Y313399			Transmission Seal Kit – consists of:	1	Y312356
	201*	Cylinder		(1)			602* Seal Ring	(1)	
	301*	Disc	(1)		507* Bushing	(1)			
304		Disc Nut – C4I	1	Y216257		608* Lip Seal	(1)		
		– C8I		Y218572		609* Screws	(3)		
596		Complete Transmission Assembly – non Jacketed	1	Y311744					
		– Jacketed		Y312306					

Keep this parts list with Installation, Operation and Maintenance Instructions.

* () Parts included in Kit



1809 Century Avenue, Grand Rapids, Michigan 49503, U.S.A.
Telephone: (616) 241-1611 / Fax: (616) 241-3752
E-Mail: blackmer@blackmer.com / Internet: www.blackmer.com