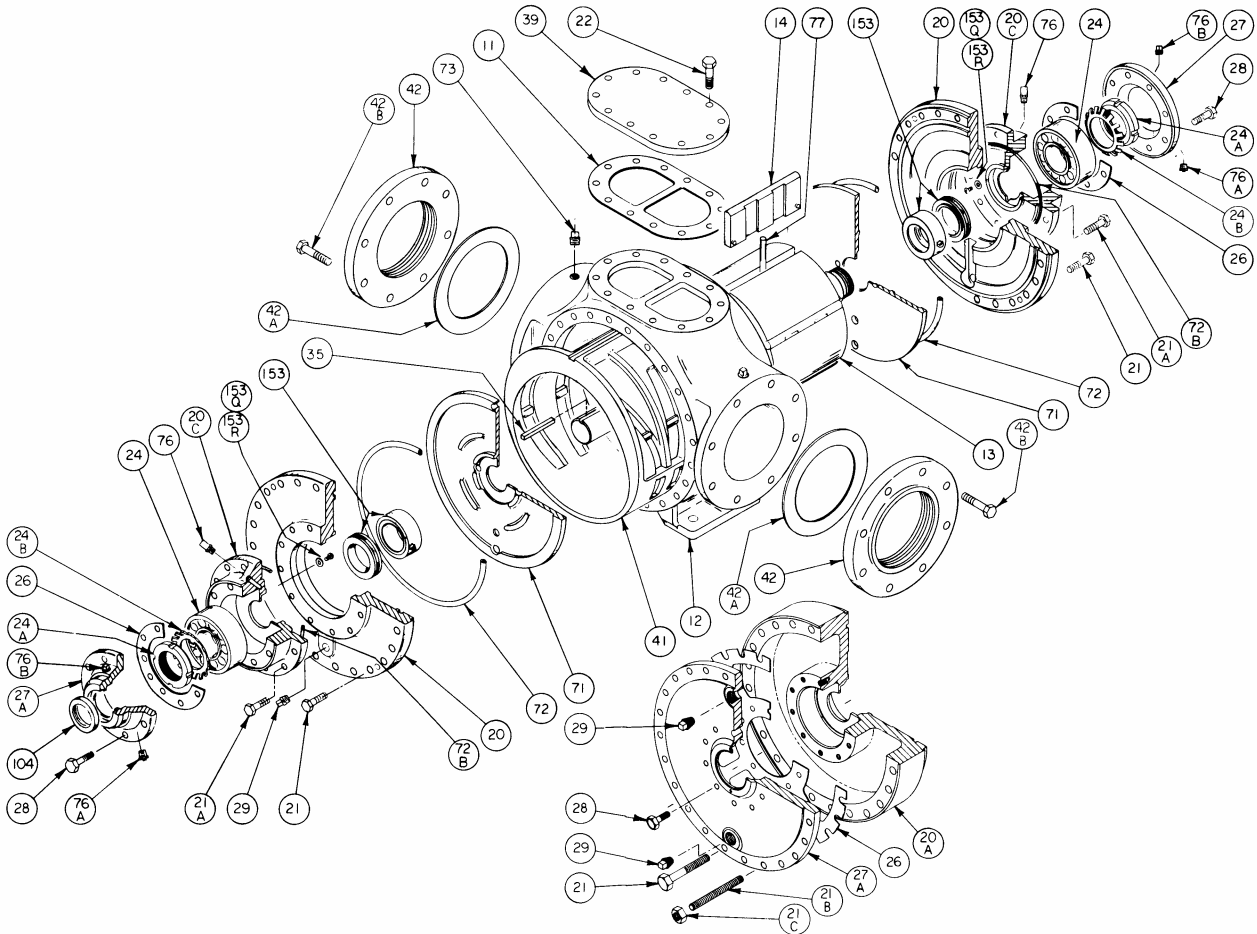


BLACKMER PARTS LIST

PUMP MODELS: HXL8G, HXLJ8G

See Instructions 102-A00 for Installation, Operation and Maintenance

Section 102
Effective Sept 2007
Replaces Nov 2005



Ref. No.	Description	Parts per Pump	HXL8 Part No.	HXLJ8 Part No.	Ref. No.	Description	Parts per Pump	HXL8 Part No.	HXLJ8 Part No.
11	Gasket - Blanking Plate	1	537752	537752	28	Capscrews - Bearing Cover	16 -20	920510	920540
12	Casing	1	017718	017718	29	Drain Plug	2	908225	908235
13	FS Rotor & Shaft (Std.) ¹	1	⁴ 287747	—	35	Key - Shaft	1	909107	909107
	EC Rotor & Shaft ¹		287748	⁴ 287748	39	Blanking Plate	1	497708	497708
14	Vane - EC Laminate (Std. - HXL)	6	³ 097707	097707	41	Liner	1	⁴ 187705	⁴ 187705
	Vane - EC Cast Iron		097735	097735	42	Flanges	2	657704	657704
	Vane - EC Bronze (Std. - HXLJ)		097736	³ 097736	42A	Gaskets - Flange	2	³ 387711	³ 387711
20	Heads (HXL)	2	037708	—	42B	Capscrews - Flange	16	920790	920790
20A	Jacketed Heads (HXLJ)	2	—	037709	71	Discs	2	⁴ 067711	⁴ 067711
20C	Hubs (HXL)	2	037748	—	72	O-Ring - Head (FKM)	2	³ 711969	³ 711969
21	Capscrews - Head	44 -48	920780	920823	72B	O-Ring - Hub (FKM)(HXLonly)	2	³ 711938	—
21A	Capscrews - Hub (HXL)	24	920510	—	73	Gage Plug	2	908198	908198
21B	Studs - Jacketed Head (HXLJ)	4	—	921656	76	Grease Fitting	2	317815	317815
21C	Nuts - Jacketed Head (HXLJ)	4	—	922875	76A	Grease Relief Fitting	2	701992	701992
22	Capscrews - Blanking Plate	12	920640	920640	76B	Plug - Bearing Cover (HXL)	1	908185	—
24	Bearings	2	³ 903272	³ 903272	77	Push Rods	3	³ 127705	³ 127705
24A	Locknuts - Bearing ² (HXL)	2	³ 903527	—	104	Grease Seal	1 - 2	³ 904180	³ 904180
24B	Lockwashers - Bearing ² (HXL)	2	³ 903528	—	153Q	Retaining Screw - Seal	4	922763	922763
26	Gasket - Bearing Cover	2	³ 387221	³ 387709	153R	Washer - Retaining Screw	4	909668	909668
27	Bearing Cover - Outboard	1	047205	047717	—	Kit - Maintenance	—	898913	898914
27A	Bearing Cover - Inboard	1	047707	047719	—	Kit - Rebuild	—	899013	899014

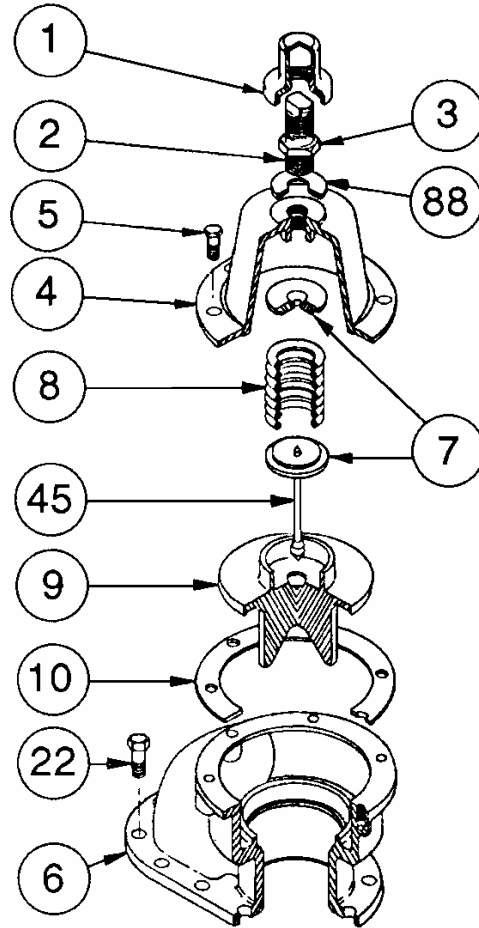
¹ Includes Locknuts and Lockwashers Ref. Nos. 24A and 24B ² HXLJ8 does not use Locknuts and Lockwashers (Ref. Nos. 24A & 24B).
³ Included in Maintenance Kit and Rebuild Kit ⁴ Included in Rebuild Kit FS = Full Size EC = Extra Clearance
 Keep this parts list with Installation, Operation and Maintenance Instructions.

RELIEF VALVE - OPTIONAL

Ref. No.	Part Name	Parts Per Pump	Part No.
1	Cap - Relief Valve (R/V)	1	417710
2	Adjusting Screw - R/V	1	437205
3	Locknut - Adjusting Screw	1	436655
4	Cover - R/V	1	417200
5	Capscrews - R/V Cover	6	920640
6	Body - R/V	1	407709
7	Spring Guide - R/V	2	427200
8	Springs - R/V (51-80 psi)	1 ea*	477701 & 477702
	Spring - R/V (81-100 psi)	1	476912
	SS Spring - R/V (101-150 psi)		477204
9	Valve - R/V	1	457215
10	Gasket - R/V Cover	1	536606
22	Capscrews - R/V Body	12	920640
45	Guide Rod - R/V	1	427205
88	Gasket - R/V Cap	1	536652

SS = Stainless Steel

* Use Springs 477701 & 477702 nested together.



MECHANICAL SEAL – STANDARD HXL8G

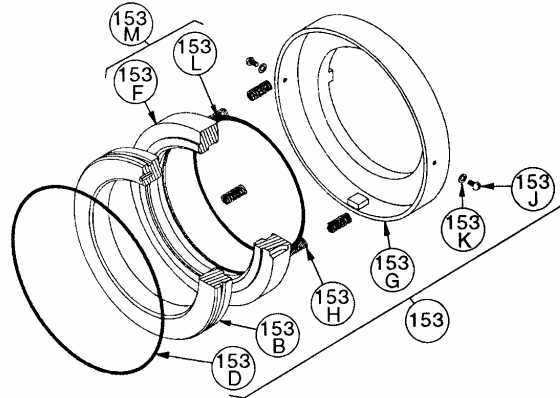
Ref. No.	Part Name	Parts Per Pump	Part No.
153	Mechanical Seal Asy. (RVCV)	2	³ 337742
153B	Stationary Seat (Ni Resist)	2	337730
153D	O-Ring - Stationary (FKM)	2	701991
153F	Rotating Seal Face (Carbon)	2	337747
153G	Seal Jacket	2	337743
153H	Seal Springs	12	337716
153J	Screw - Seal Jacket	4	922740
153K	Lockwasher - Seal Jacket	4	909608
153L	O-Ring - Rotating (FKM)	2	701924

³Included in HXL8G Maintenance Kit and Rebuild Kit

MECHANICAL SEAL – OPTIONAL HXL8G (STANDARD HXLJ8G)

Ref. No.	Part Name	Parts Per Pump	Part No.
153	Mechanical Seal Asy. (RVBV)	2	⁴ 337736
153B	Stationary Seat (Ni Resist)	2	337730
153D	O-Ring - Stationary (FKM)	2	701991
153F	Rotating Seal Face (Bronze)	2	337752
153G	Seal Jacket	2	337743
153H	Seal Springs	12	337716
153J	Screw - Seal Jacket	4	922740
153K	Lockwasher - Seal Jacket	4	909608
153L	O-Ring - Rotating (FKM)	2	701924

⁴Included in HXLJ8G Maintenance Kit and Rebuild Kit



1809 Century Avenue, Grand Rapids, Michigan 49503-1530, U.S.A.

Telephone: (616) 241-1611 / Fax: (616) 241-3752

E-Mail: blackmer@blackmer.com / Internet: www.blackmer.com

Parts List 102-A02

Page 2 of 2