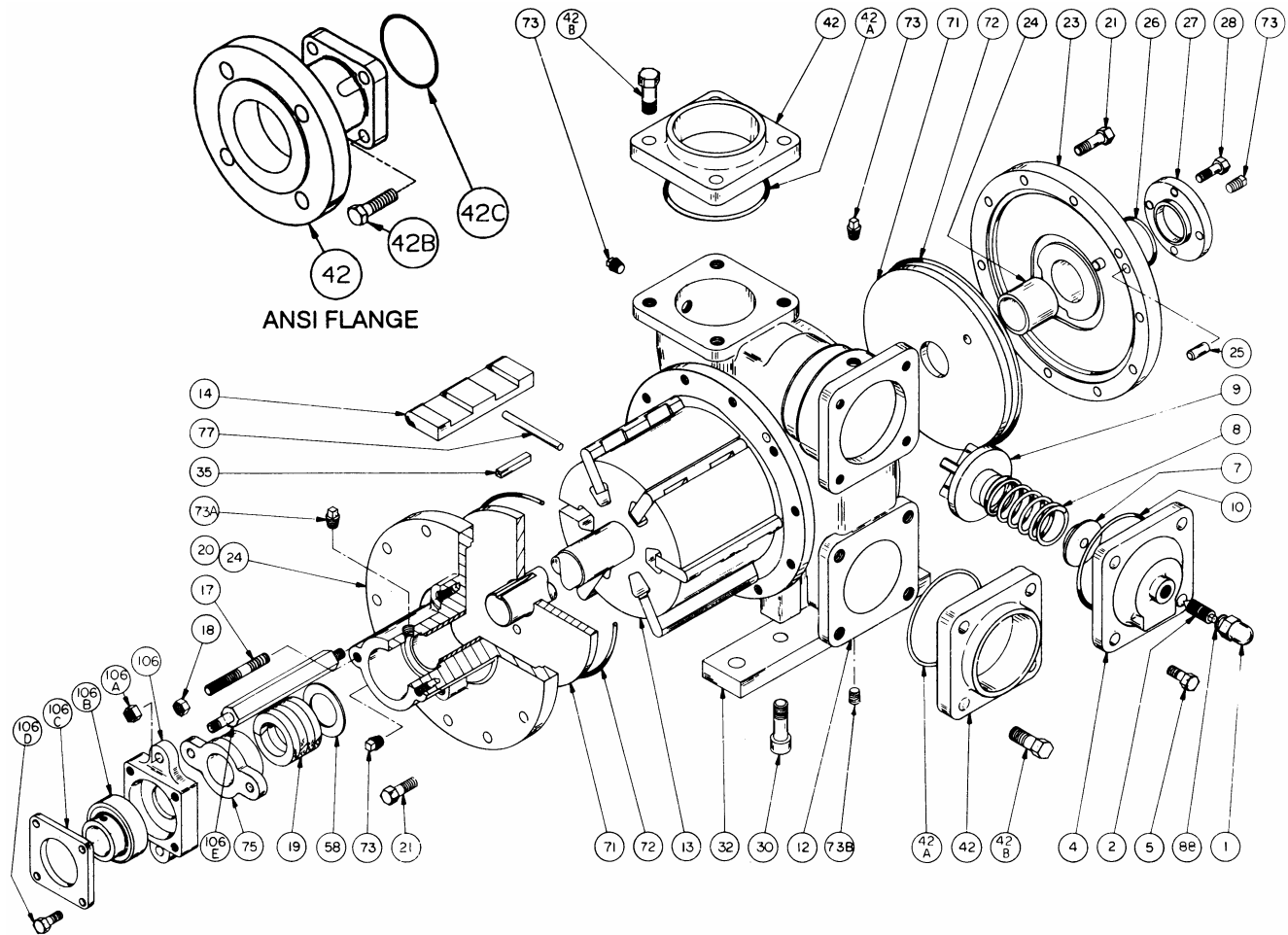


BLACKMER PARTS LIST

PUMP MODELS: SNP3A

Section 104
Effective Sept 2007
Replaces Aug 2003

See Instructions 104-A00 for Installation, Operation and Maintenance



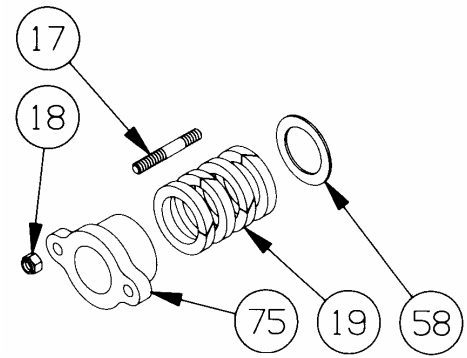
Ref. No.	Description	Parts per Pump	Part No.	Ref. No.	Description	Parts per Pump	Part No.
1	Cap - Relief Valve (R/V)	1	413151	35	Key - Shaft	1	1909183
2	Adjusting Screw - R/V	1	433101	42	Flange - 3" Weld (Std.)	2	652201
4	Cover - R/V	1	412201		Flange - 3" ANSI		654500
5	Capscrews - R/V Cover	4	920489	42A	Seal Ring - Weld Flange (Std.)	2	1532201
7	Spring Guide - R/V	1	422201	42B	Capscrew - Weld Flange (Std.)	8	920489
8	Spring - R/V (51-110 psi) (Std.)	1	471807		Capscrew - ANSI Flange		920516
	Spring - R/V (111-150 psi)		471808	42C	O-Ring - ANSI Flange	0-2	1702101
9	Valve - R/V	1	452201	71	Disc	2	2062203
10	Seal Ring - R/V Cover	1	1532201	72	Seal Ring - Head	2	1382201
12	Cylinder	1	022201	73	Drain Plug (1/4")	4	908193
13	Rotor & Shaft	1	2262201	73A	Plug (1/8")	1	908183
14	Vane - Duravane (Std.)	6	1091819	73B	Plug (1/4")	1	908192
	Vane - EC Laminate		091829	77	Push Rod	3	1122201
20	Head & Bushing Asy. - Inboard	1	032203	88	Gasket - R/V Cap	1	1533101
21	Capscrews - Head	20	920365		Shaft Support Bearing		
23	Head & Bushing Asy. - Outboard	1	032204	106	Flange - Bearing	1	652251
24	Sleeve Bearing	2	1161600	106A	Locknut - Bearing Flange	2	922428
25	Dowel Pin - Head	6	930570	106B	Bearing & Collar Asy.	1	903121
26	Seal Ring - Bearing Cover	1	1382211	106C	Cover - Bearing Flange	1	652253
27	Bearing Cover	1	042201	106D	Capscrews - Bearing Flange	4	920179
28	Capscrews - Bearing Cover	4	920179	106E	Rod - Flange	1	652252
30	Screws - Foot Bracket	4	920466	—	Kit - Maintenance	—	898948
32	Foot Bracket	2	832201	—	Kit - Rebuild	—	899048

¹ Included in Maintenance and Rebuild Kits. ² Included in Rebuild Kit.

Keep this parts list with Installation, Operation and Maintenance Instructions.

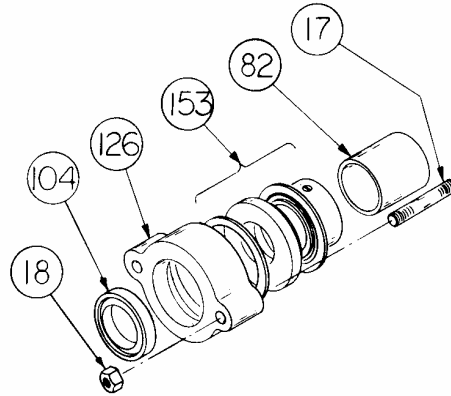
SHAFT PACKING - STANDARD

Ref. No.	Part Name	Parts Per Pump	Part No.
17	Stud - Packing Follower	2	921443
18	Nut - Packing Follower Stud	2	922416
19	Packing Set	1	322201
58	Pack Washer	1	352201
75	Packing Follower	1	142203



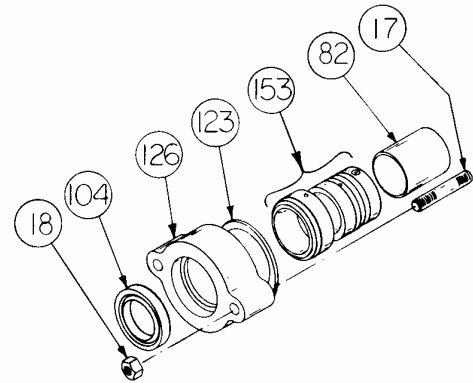
MECHANICAL SEAL - OPTIONAL

Ref. No.	Part Name	Parts Per Pump	Part No.
17	Stud - Retainer	2	921443
18	Nut - Retainer Stud	2	922416
82	Spacer - Seal	1	372203*
104	Oil Seal	1	904202
126	Retainer - Seal	1	332210
153	Mechanical Seal Assembly - Crane Type 9	1	332203



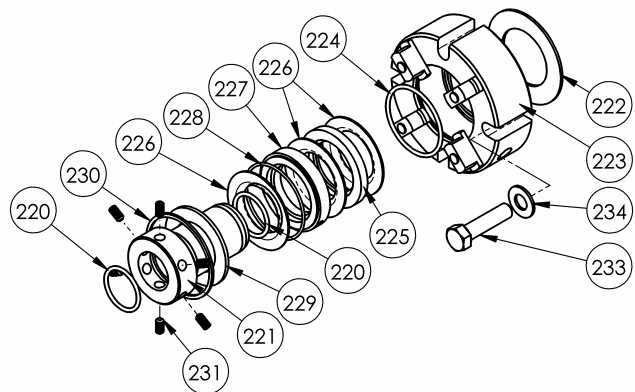
MECHANICAL SEAL - OPTIONAL

Ref. No.	Part Name	Parts Per Pump	Part No.
17	Stud - Retainer	2	921443
18	Nut - Retainer Stud	2	922416
82	Spacer - Seal	1	372203
104	Oil Seal	1	904202
123	Gasket - Seal Retainer	1	385380
126	Retainer - Seal	1	335310
153	Mechanical Seal Assembly - Durametallc	1	332200



SNP3 - TRIPLE-LIP CARTRIDGE SEAL - OPTIONAL

Ref. No.	Part Name	Seal	Seal Rebuild Kit
—	TRIPLE-LIP CARTRIDGE SEAL	331774	899105
220	Shaft Sleeve O-Ring	2	X
221	Shaft Sleeve	1	
222	Gasket	1	X
223	Gland Plate Assembly	1	
224	Element O-Ring	1	X
225	Seal Spacer	1	X
226	Seal Element	3	X
227	Flushing Spacer	1	X
228	Flushing Spacer O-Ring	1	X
229	Retaining Ring	1	
230	Snap Ring	1	X
231	Shaft Sleeve Setscrews	6	X
233	Gland Capscrew	4	
234	Flat Washer	4	



X = Parts included in Seal Rebuild Kit



1809 Century Avenue, Grand Rapids, Michigan 49503-1530, U.S.A.
 Telephone: (616) 241-1611 / Fax: (616) 241-3752
 E-Mail: blackmer@blackmer.com / Internet: www.blackmer.com