

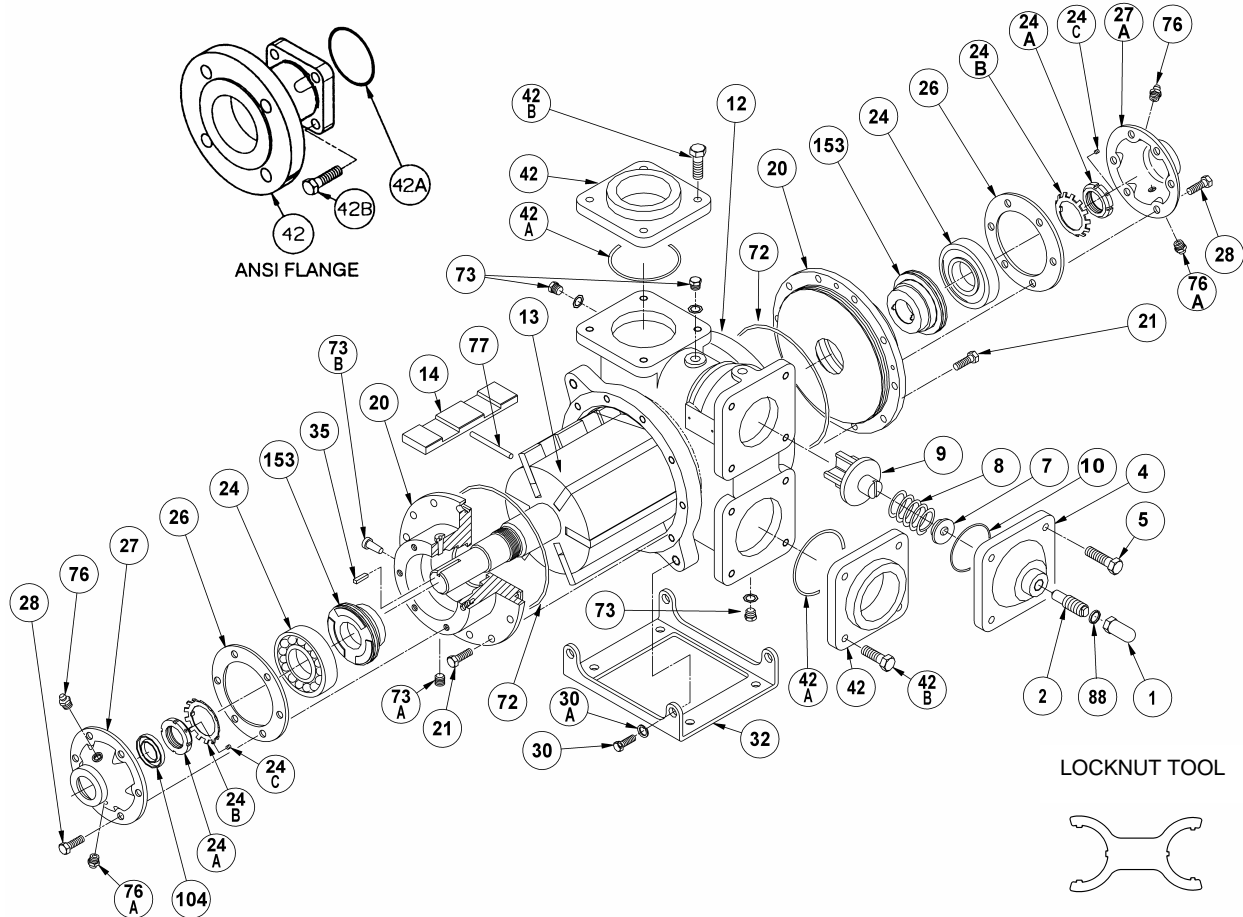
# BLACKMER PARTS LIST

## MODEL: SX3A

See Instructions 104-B00 for Installation, Operation and Maintenance

962204 **PARTS LIST**  
Page 1 of 3 **104-B02**

Section 104  
Effective Sept 2007  
Replaces Oct 2006



REF. NO.	DESCRIPTION	PARTS PER PUMP	PART NO.	REF. NO.	DESCRIPTION	PARTS PER PUMP	PART NO.
1	Cap - Relief Valve (R/V)	1	413151	28	Capscrew - Bearing Cover	12	924031
2	Adjusting Screw - R/V	1	433101	30	Capscrew - Foot Bracket	4	924071
4	Cover - R/V	1	415301	30A	Lockwasher - Bracket (12 mm STS)	4	909586
5	Capscrew - R/V Cover	4	924036	32	Mounting Bracket	1	832225
7	Spring Guide - R/V	1	423101	35	Key - Shaft (10mm Metric)	1	909146
8	Spring - R/V (51- 75 psi)	1	471632	42	Key - Shaft (5/16" Domestic)	2	909206
	Spring - R/V (76 -110 psi)		471632		Flange - 3" Weld		652201
	Spring - R/V (111-125 psi)		471615		Flange - 3" ANSI (150 RF)		654500
9	Valve - R/V	1	455301	42A	O-Ring - Flange	2	702101
10	O-Ring - R/V Cover	1	702079	42B	Capscrew - Flange, Weld	8	924071
12	Cylinder	1	022225		Capscrew - Flange, ANSI		924042
13	Rotor & Shaft - Single End	1	262226	72	O-Ring - Head	2	702210
14	Vane - Duravane	6	094500	73	Plug - 1/4" BSP	3	908199
20	Head	2	032227	73A	Pipe Plug - 1/4" NPT Socket Head	2	908192
21	Capscrew - Head	20	924036	73B	Plug - Weep Hole	4	340000
24	Bearing	2	903172	76	Grease Fitting	2	317815
24A	Locknut w/setscrew	2	903582	76A	Grease Relief Fitting	2	701992
24B	Lockwasher	2	903524	77	Push Rod	3	122225
24C	Setscrew - Locknut	2	924060	88	Seal Ring - R/V Cap	1	533101
26	Gasket - Bearing Cover	2	381817	104	Oil Seal	1	331908
27	Bearing Cover - Inboard	1	042225	153	Mechanical Seal	2	332260
27A	Bearing Cover - Outboard	1	042227		Tool - Locknut		903091

Keep this parts list with Installation, Operation, and Maintenance Instructions.

**MECHANICAL SEAL**

REF. NO.	DESCRIPTION	PARTS PER PUMP	PART NO.
153	Mechanical Seal Complete – Silicon Carbide Stationary Seat, PTFE O-Ring, Custom Carbon Rotating Seal Face with PTFE Seal Ring (LACT)	2	332260
153D	O-Ring – Stationary (PTFE)	2	702080
153L	Seal Ring – PTFE	2	**

\*\* 153L PTFE Seal Ring is not available as a separate part.

