

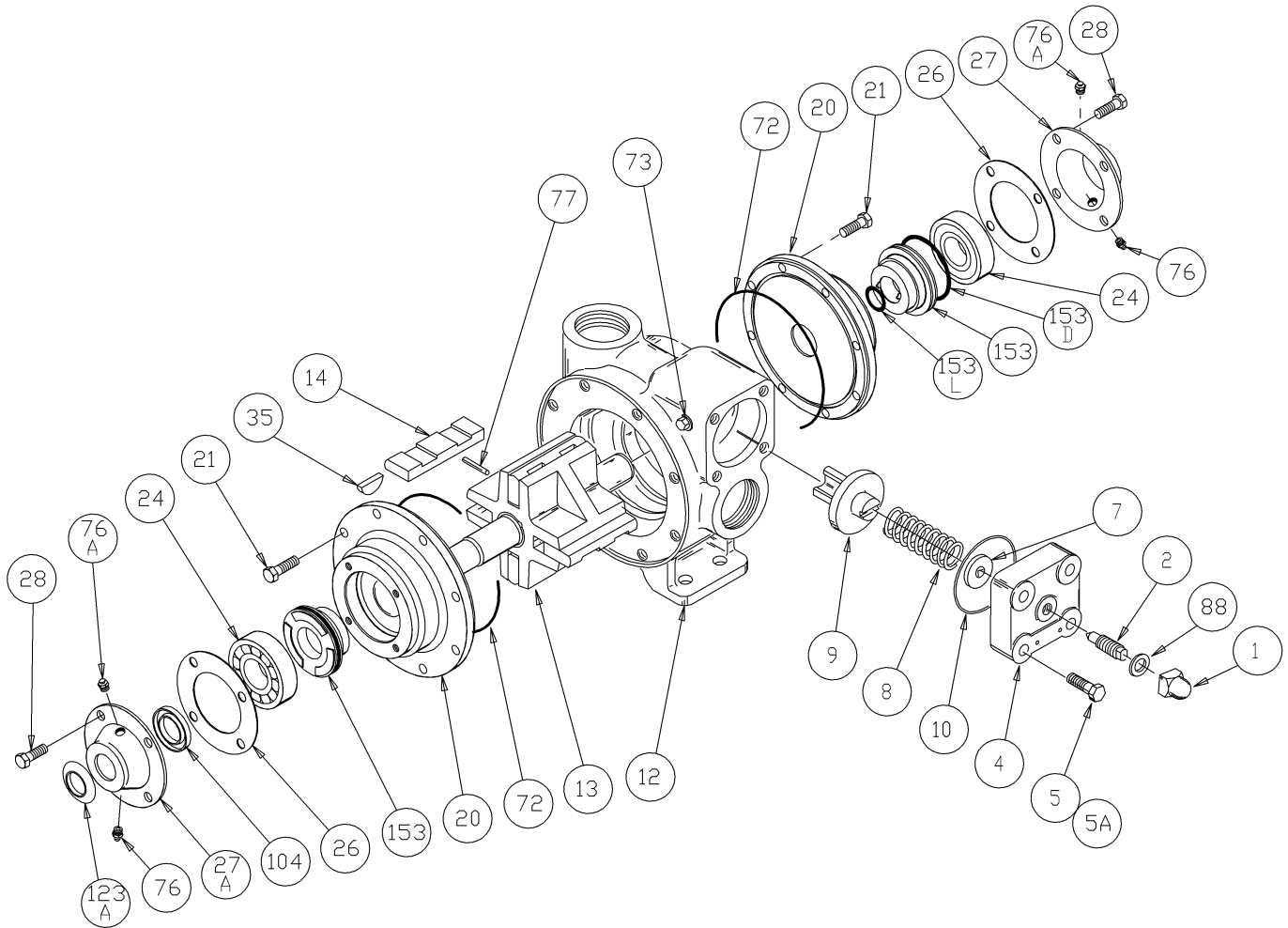
BLACKMER PARTS LIST

PUMP MODEL: TX1.5

961223 **PARTS LIST**
Page 1 of 2 **201-A01**

Section | 201
Effective | Sept 2007
Replaces | Feb 2003

See Instructions 201-A00 for Installation, Operation and Maintenance



| Ref. No. | Description | Parts Per Pump | Part No. | Ref. No. | Description | Parts Per Pump | Part No. |
|----------|----------------------------------|----------------|----------------------|----------|---------------------------|----------------|---------------------|
| 1 | Cap – Relief Valve (R/V) | 1 | 411453 | 21 | Capscrews – Head | 16 | 920331 |
| 2 | Adjusting Screw – R/V | 1 | 431401 | 24 | Ball Bearing | 2 | ¹ 903156 |
| 4 | Cover – R/V | 1 | 411469 | 26 | Gasket- Bearing Cover | 2 | ¹ 381406 |
| 5 | Capscrew – R/V Cover | 3 | 920316 | 27 | Bearing Cover – Outboard | 1 | 041433 |
| 5A | Capscrew w / Hole – R/V Cover | 1 | 920310 | 27A | Bearing Cover – Inboard | 1 | 041431 |
| 7 | Spring Guide – R/V | 1 | 423955 | 28 | Capscrews – Bearing Cover | 8 | 920285 |
| 8 | Spring – R/V (51-75 psi) | 1 | 471420 | 35 | Key – Shaft | 1 | ¹ 909130 |
| | Spring – R/V (76-100 psi) (Std.) | | 471425 | | O-Ring – Head (Buna-N) | 2 | ¹ 702228 |
| | Spring – R/V (101-125 psi) | | 471430 | | O-Ring – Head (FKM) | | 702229 |
| | | | O-Ring – Head (PTFE) | 702230 | | | |
| 9 | Valve – R/V | 1 | 451416 | 72 | O-Ring – Head (PTFE) | 2 | 908198 |
| | Valve – R/V (Nickel Plated) | | 451414 | | | | |
| 10 | O-Ring – R/V Cover (Buna-N) | 1 | ¹ 702211 | 76 | Gage Plug | 2 | 317815 |
| | O-Ring – R/V Cover (FKM) | | 702212 | | Grease Fitting | 2 | 701992 |
| | O-Ring – R/V Cover (PTFE) | | 702213 | | Grease Relief Fitting | 2 | ¹ 123305 |
| 12 | Cylinder | 1 | 021203 | 77 | Push Rods | 2 | ¹ 701981 |
| 13 | Rotor & Shaft | 1 | 261205 | 76 | Gasket – R/V Cap | 1 | ¹ 331918 |
| 14 | Vane – Duravane (Std.) | 4 | ¹ 091219 | 104 | Grease Seal | 1 | ¹ 701480 |
| | Vane – Bronze | | 093328 | | | 2 | See Backside |
| 20 | Head | 2 | 031207 | 153 | Mechanical Seal | 2 | 898949 |
| | | | | | Kit - Maintenance | | |

¹ Included in Maintenance Kit

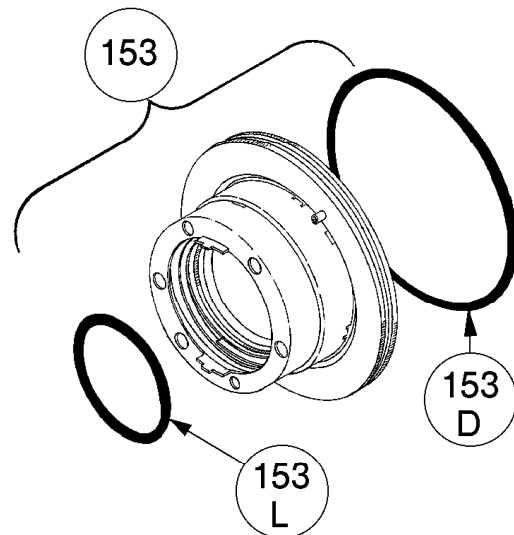
Keep this parts list with Installation, Operation and Maintenance Instructions.

MECHANICAL SEALS

| REF. NO. | PART NAME | PARTS PER PUMP | PART NO. |
|----------|--|----------------|---------------------|
| 153 | Mechanical Seal Complete (Std.) Cast Iron Stationary Seat, Carbon Seal Face, Buna-N O-Rings. (INCN) | 2 | ¹ 331601 |
| | Mechanical Seal Complete - Cast Iron Stationary Seat, Carbon Seal Face, FKM O-Rings. (IVCV) | | 331655 |
| | Mechanical Seal Complete - Cast Iron Stationary Seat, PTFE O-Ring, Carbon Seal Face w/ PTFE Seal Ring. (IACT) | | 331673 |
| 153D | O-Ring - Stationary (Buna-N) | 2 | 701934 |
| | O-Ring - Stationary (FKM) | | 701921 |
| | O-Ring - Stationary (PTFE) | | 702056 |
| 153L | O-Ring - Rotating (Buna-N) | 2 | 701922 |
| | O-Ring - Rotating (FKM) | | 701980 |
| | Seal Ring - Rotating (PTFE) | | ** |

¹ Included in Maintenance Kit

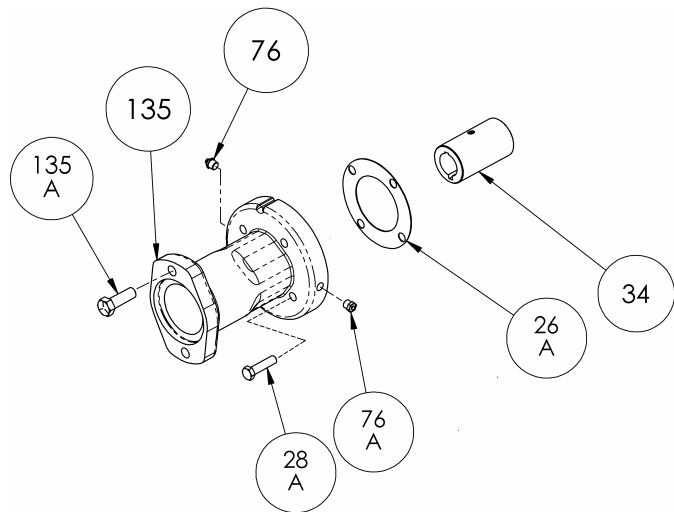
** PTFE Rotating Seal Ring is not available as a separate part.



OPTIONAL HYDRAULIC MOTOR ADAPTER PARTS

| REF. NO. | PART NAME | PARTS PER PUMP | PART NO. |
|-----------|--|----------------|----------|
| See Below | Hydraulic Motor Adapter Kit * | See Below | 891205 |
| 26A | Gasket – Hydraulic Motor Adapter | 1 | 383940 |
| 28A | Capscrew – Hydraulic Motor Adapter / Head | 4 | 920369 |
| 34 | Coupling w/ Setscrew – for 1" straight key hydraulic motor | 1 | 906966 |
| 76 | Grease Fitting | 1 | 317815 |
| 76A | Grease Relief Fitting | 1 | 701992 |
| 135 | Hydraulic Motor Adapter – SAE A Flange | 1 | 041827 |
| 135A | Capscrew – Adapter / Motor | 2 | 920510 |

Hydraulic Motor Adapter Kits shipped before Spring 2002 were of a two piece design – refer to page 206-B00.



1809 Century Avenue, Grand Rapids, Michigan 49503-1530, U.S.A.

Telephone: (616) 241-1611 / Fax: (616) 241-3752

E-Mail: blackmer@blackmer.com / Internet: www.blackmer.com

Parts List 201-A1

Page 2 of 2