

# BLACKMER PARTS LIST

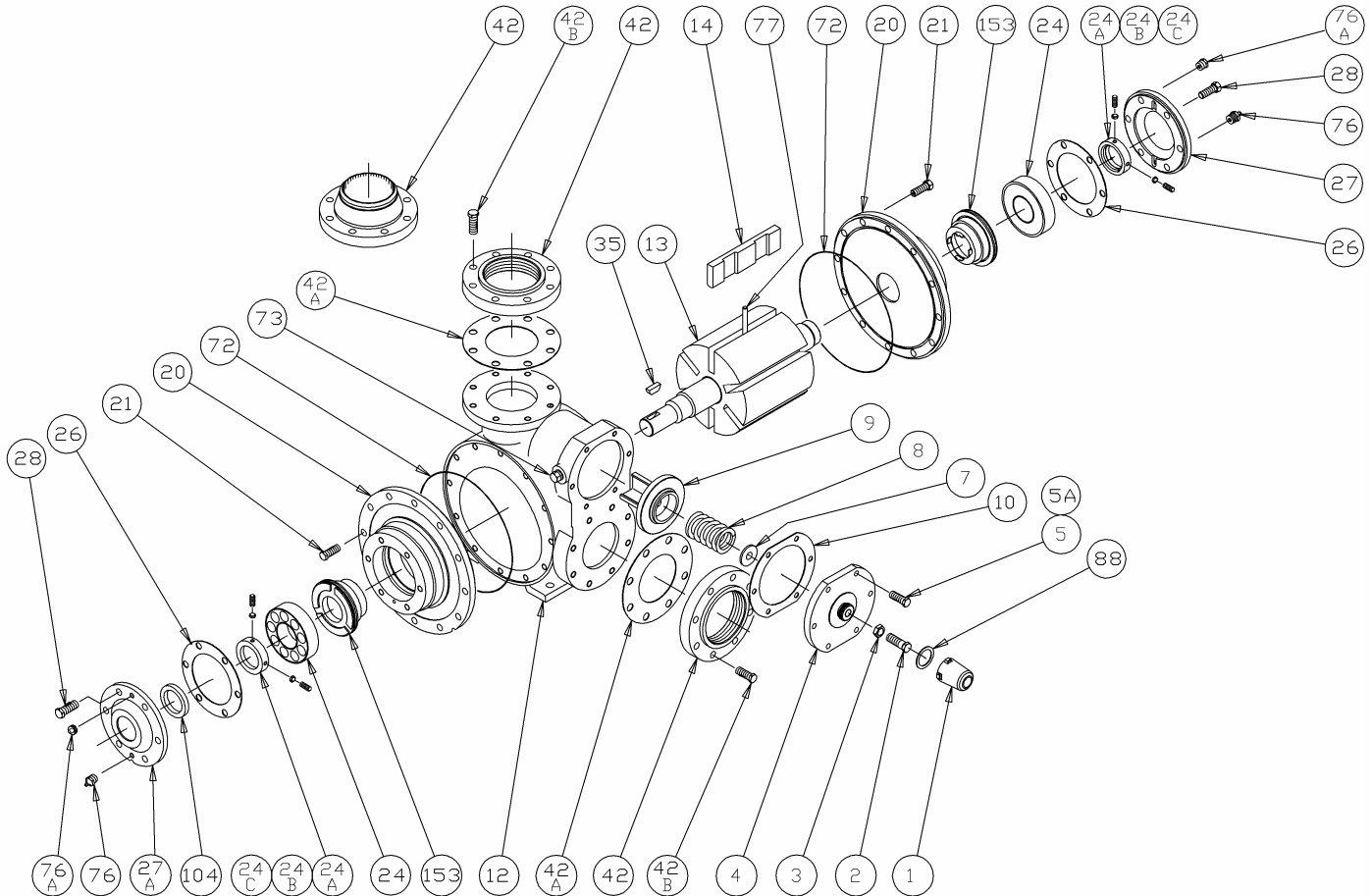
## PUMP MODEL: TX4A

960286  
Page 1 of 2

**PARTS LIST**  
**201-A05**

See Instructions 201-A00 for Installation, Operation and Maintenance

Section 201  
Effective Sept 2007  
Replaces Jan 2007



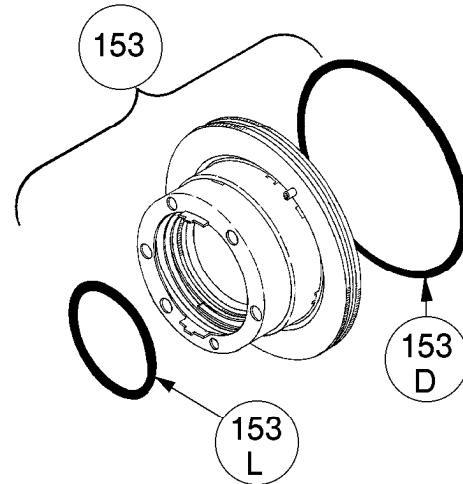
Ref. No.	Description	Parts Per Pump	Part No.	Ref. No.	Description	Parts Per Pump	Part No.
1	Cap – Relief Valve (R/V)	1	413957	24B	Setscrew	4	<sup>1</sup> 922104
2	Adjusting Screw – R/V	1	436307	24C	Jam Nut	4	<sup>1</sup> 922923
3	Locknut – Adjusting Screw	1	436355	26	Gasket – Bearing Cover	2	<sup>1</sup> 386950
4	Cover – R/V	1	411903	27	Bearing Cover – Outboard	1	041905
5	Capscrew – R/V Cover	5	920351	27A	Bearing Cover – Inboard	1	041903
5A	Capscrew w / Hole – R/V Cover	1	920348	28	Capscrews – Bearing Cover	12	920491
7	Spring Guide – R/V	1	426355	35	Key – Shaft	1	<sup>1</sup> 909135
8	Spring, Steel – R/V (35-50 psi)	1	476303	42	Flange – 4" NPT	1-2	651900
	Spring, Steel – R/V (51-75 psi)		476310		Flange – 4" Weld		651905
	Spring, Steel – R/V (76-125 psi)(Std.)		476305		Gasket – Flange		381903
9	Valve – R/V (Std.)	1	456315	42A	Gasket – Flange	2	<sup>1</sup> 381903
	Valve – R/V (Nickel Plated)		456300	42B	Capscrew – Flange	16	920532
10	Gasket – R/V Cover	1	<sup>1</sup> 531903	72	O-Ring – Head (Buna-N) (Std)	2	<sup>1</sup> 702023
					O-Ring – Head (FKM)		702024
					O-Ring – Head (PTFE)		702093
12	Cylinder	1	021906	73	Gage Plug	2	908198
13	Rotor & Shaft	1	261950	76	Grease Fitting	2	317815
14	Vane – Duravane	6	<sup>1</sup> 091924	76A	Grease Relief Fitting	2	701992
20	Head	2	031908	77	Push Rod	3	<sup>1</sup> 121905
21	Capscrews – Head	24	920510	88	Gasket – R/V Cap	1	<sup>1</sup> 533908
24	Ball Bearing	2	<sup>1</sup> 903182	104	Grease Seal	1	<sup>1</sup> 904190
24A	Lock Collar – Bearing	2	<sup>1</sup> 721937		Kit - Maintenance		898953

<sup>1</sup> Included in Maintenance Kit

Keep this parts list with Installation, Operation and Maintenance Instructions.

**MECHANICAL SEALS – TX4A MODELS**

REF. NO.	PART NAME	PARTS PER PUMP	PART NO.
153	Mechanical Seal Complete – <b>Std.</b> Cast Iron Stationary Seat, Carbon Seal Face, Buna-N O-Rings. (INCN)	2	<sup>1</sup> 336958
	Mechanical Seal Complete - Cast Iron Stationary Seat, Carbon Seal Face w/ FKM O-Rings. (IVCV)		336982
	Mechanical Seal Complete - Cast Iron Stationary Seat, PTFE O-Ring, Carbon Seal Face w/ PTFE Seal Ring. (IACT)		331973
	Mechanical Seal Complete - Cast Iron Stationary Seat, Bronze Seal Face w/ FKM O-Rings. (IVBV)		336984
153D	O-Ring - Stationary (Buna-N)	2	701945
	O-Ring - Stationary (FKM)		711932
	O-Ring - Stationary (PTFE)		702090
153L	O-Ring - Rotating (Buna-N)	2	701933
	O-Ring - Rotating (FKM)		701967
	Seal Ring - Rotating (PTFE)		**



<sup>1</sup> Included in Maintenance Kit

\*\* PTFE Rotating Seal Ring is not available as a separate part.

