

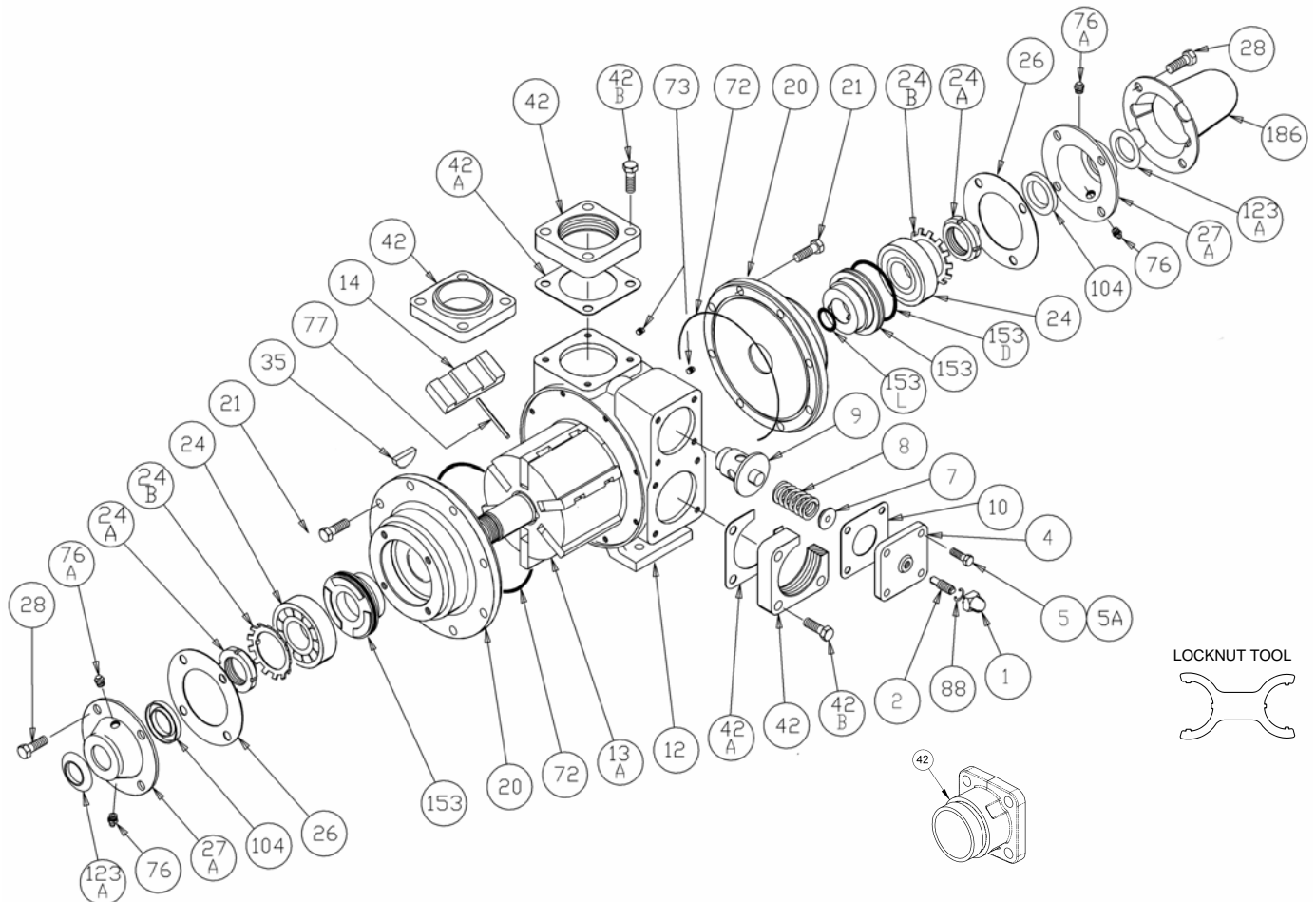
# BLACKMER PARTS LIST

**PUMP MODELS: TXD2.5A, TXSD2.5A** (Double Ended Shaft)  
**TX2.5A, TXS2.5A** (Single Ended Shaft)

See Instructions 201-A00 for Installation, Operation and Maintenance

961615 **PARTS LIST**  
 Page 1 of 2 **201-A03**

Section 201  
 Effective Sept 2007  
 Replaces July 2007



Ref. No.	Description	Parts Per Pump	Part No.	Ref. No.	Description	Parts Per Pump	Part No.
1	Cap – Relief Valve (R/V)	1	411453	27A	Bearing Cover	1 - 2	041431
2	Adjusting Screw – R/V	1	431401		Bearing Cover – Outboard, SE shaft only	0 - 1	041433
4	Cover – Relief Valve	1	411607	28	Capscrews – Bearing Cover	8	920285
5	Capscrew – R/V Cover	3	920316	35	Key – Shaft	1	<sup>1</sup> 909130
5A	Capscrew w / Hole – R/V Cover	1	920310	42	Flanges		
7	Spring Guide – R/V	1	423955	42A	Gasket – Flange		See Backside
8	Spring – R/V (51-110 psi) (Std.)	1	471631	42B	Capscrews – Flange		
	Spring – R/V (111-125 psi)		471614	72	O-Ring – Head (FKM) (Std. TXSD)	2	701914
9	Valve – R/V (Std. TXD) <sup>3</sup>	1	451623		O-Ring – Head (PTFE)		702242
	Valve - R/V (Nickel Plated) (Std. TXSD)		451624	73	Gage Plug	2	908198
10	Gasket – R/V Cover	1	<sup>1</sup> 531603	76	Grease Fitting	2	317815
12	Cylinder – Pump	1	021605	76A	Grease Relief Fitting	2	701992
13A	Rotor & Shaft Asy. - Double Ended <sup>2</sup>	1	261665	77	Push Rod	3	<sup>1</sup> 121607
	Rotor & Shaft Asy. - Single Ended <sup>2</sup>		261667	88	Gasket – R/V Cap	1	<sup>1</sup> 701981
14	Vane – Duravane	6	<sup>1</sup> 091619	104	Grease Seal	2	<sup>1</sup> 331918
20	Head (Std.)	2	031425	123A	Dirt Shield	2	<sup>1</sup> 701480
	Head with Drain		031426	186	Shaft Protector	1	341601
21	Capscrews – Head	16	920331		Air Valve Kit – Piston Type (TXD/Buna)		891705
24	Ball Bearing	2	<sup>1</sup> 903156		Air Valve Kit – Piston Type (TXSD/FKM)		891716
24A	Locknut – Bearing	2	903521		Air Valve Kit – Diaphragm Type		891696
24B	Lockwasher – Bearing	2	<sup>1</sup> 903522		Tool - Locknut		903091
26	Gasket – Bearing Cover	2	<sup>1</sup> 381406		Kit – Maintenance (TXD2.5A only)		898951

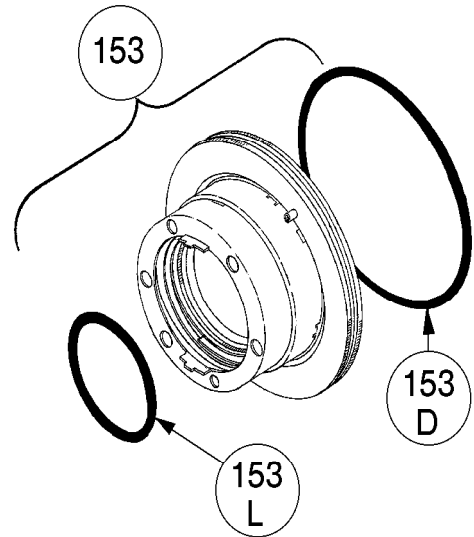
<sup>1</sup> Included in Maintenance Kit    <sup>2</sup> Includes Ref. Nos. 24A & 24B    Keep this parts list with Installation, Operation and Maintenance Instructions.  
<sup>3</sup> For Piston Style Air Operated RV see IOM 201-G00, Diaphragm Air RV – 201-F00, DMX Diaphragm RV – 201B-B00.

## MECHANICAL SEALS - TX(S)D2.5A MODELS

REF. NO.	PART NAME	PARTS PER PUMP	PART NO.
153	Mechanical Seal Complete - <b>Std. TXD</b> Cast Iron Stationary Seat, Carbon Seal Face, Buna-N O-Rings. (INCN)	2	<sup>1</sup> 331601
	Mechanical Seal Complete - <b>Std. TXSD</b> Cast Iron Stationary Seat, Carbon Seal Face, FKM O-Rings. (IVCV)		331655
	Mechanical Seal Complete - Cast Iron Stationary Seat, PTFE O-Ring, Carbon Seal Face w/ PTFE Seal Ring. (IAC)		331673
153D	O-Ring - Stationary (Buna-N)	2	701934
	O-Ring - Stationary (FKM)		701921
	O-Ring - Stationary (PTFE)		702056
153L	O-Ring - Rotating (Buna-N)	2	701922
	O-Ring - Rotating (FKM)		701980
	Seal Ring - Rotating (PTFE)		**

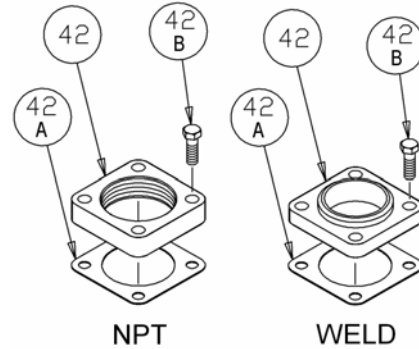
<sup>1</sup> Included in Maintenance Kit

\*\* PTFE Rotating Seal Ring is not available as a separate part.



## FLANGES

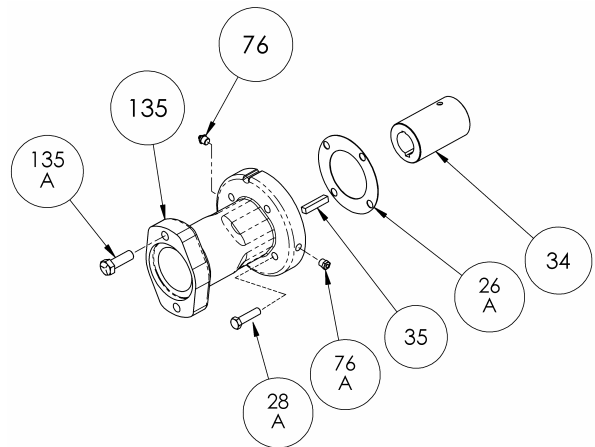
REF. NO.	PART NAME	PARTS PER PUMP	PART NO.
42	Flange - 2" NPT	1 - 2	651603
	Flange - 2 1/2" NPT		651611
	Flange - 2 1/2" Weld		651608
42A	Gasket - Flange	0 - 2	<sup>1</sup> 381650
42B	Capscrews - 2" NPT Flange	4 - 8	920471
	Capscrews - 2 1/2" NPT Flange		920532
	Capscrews - 2 1/2" Weld		920491



## OPTIONAL HYDRAULIC MOTOR ADAPTER PARTS

REF. NO.	PART NAME	PARTS PER PUMP	PART NO. 1-1/4" Hyd Motor Shaft	PART NO. 1" Hyd Motor Shaft
	<b>Hydraulic Motor Adapter Kit *</b>		891458	891205
26A	Gasket - Hydraulic Motor Adapter	1	383940	383940
28A	Capscrew - Hydraulic Motor Adapter / Head	4	920369	920369
34	Coupling w/ Setscrew - for straight key hyd. motor shaft	1	906967	906966
35	Key - Coupling	1	909184	N/A
76	Grease Fitting	1	317815	317815
76A	Grease Relief Fitting	1	701992	701992
135	Hydraulic Motor Adapter - SAE A Flange	1	041828	041827
135A	Capscrew - Adapter / Motor	2	920510	920510

\* Hydraulic Motor Adapter Kits shipped prior to Spring 2002 were of a two piece design - refer to 206-B00.



1809 Century Avenue, Grand Rapids, Michigan 49503-1530, U.S.A.

Telephone: (616) 241-1611 / Fax: (616) 241-3752

E-Mail: blackmer@blackmer.com / Internet: www.blackmer.com

Parts List 201-A03

Page 2 of 2