

Telephone 800-500-9311
Telephone 864-573-9200
Fax 864-573-9299

OEC FLUID HANDLING INC.

SUBSIDIARY OF OILMEN'S EQUIPMENT CORP.
www.oecfh.com

140 Cedar Springs Rd.
P. O. Box 2807
Spartanburg, SC 29304

■ Stocked Items 11/06/03

PD Pumps

- ARO Ingersoll-Rand
- Blackmer Vane
Blackmer/Abaque Peristaltic
Blackmer "C" Eccentric Disc
- Alfa Laval-TriClover Lobe
- APV Lobe
- Tuthill Gear
Tuthill Lobe
MonoFlo Progressive Cavity

Centrifugal Pumps

- Alfa Laval-TriClover Sanitary
- APV Crepaco
- Deming End Suction
Deming Vertical Turbine
- Griswold ANSI Pumps
- MP Pump

Specialty Pumps

Flux Drum

Petroleum-Fuel Pumps

- Gorman-Rupp
- Dresser Wayne Corp
- Red Jacket
Graco
William Wilson Gasboy

Hand Pumps

- Blackmer
- Tokhiem
- Tuthill Fill-Rite

Storage Tanks

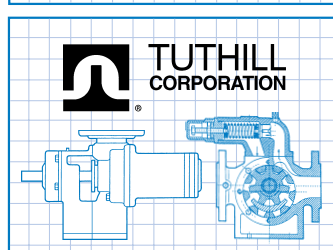
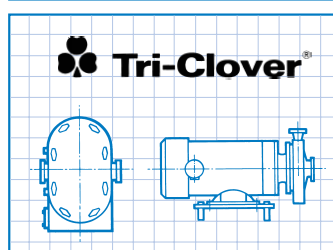
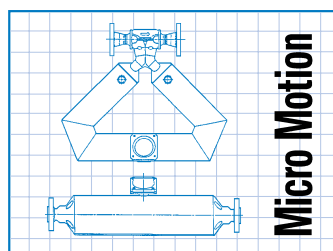
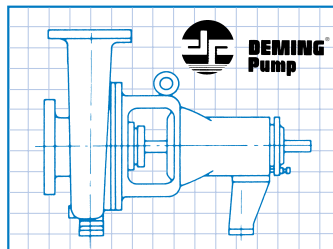
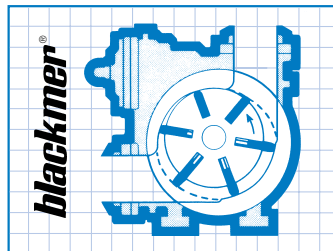
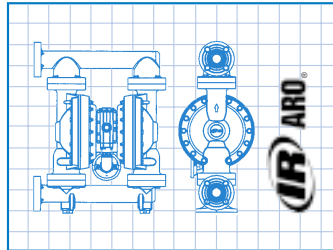
Stainless Steel ASME
UL & ASME Carbon Steel
Fiberglass Tanks
Chem-Tainer Poly Tanks
Assmann Poly Tanks
Snyder Poly Tanks

Tank Fittings & Vents

- OPW Engineered Systems
EMCO Wheaton
Morrison Bros
Protectoseal

Mechanical Seals

Utex



Meters & Instrumentation

- Micro Motion Coriolis
- Neptune Actaris PD
- Tuthill FPP PD
- Liquid Controls PD
Halliburton Turbine
Rosemount
Pressure Transmitters
Flow Transmitters
Temperature Transmitters
Level Transmitters

Sanitary Products

- Alfa Laval-TriClover Pumps
- Alfa Laval-TriClover Fittings
Alfa Laval-TriClover Valves
APV Pumps
APV Valves
APV Homogenizers
B & A Flexible Sanitary Hose

Liquid Level Gauges

- Protectoseal
Pneumercator
Moorman Bros
Milltronics/Siemens
Rosemount Level Transmitters

Hose & Reels

- Goodyear Hose
- Hannay Reels
Lawrence Composite Hose

Filters

Filtration Group Bag Filters

Mixers

Brawn Portable & Sanitary
Proquip Top Entry Agitators

Liquid Loaders & Platforms

OPW Engineered Systems
Green Manufacturing

Rotary Unions

Deublin

Custom Liquid Systems

For liquid transfer, batching &
process metering

Performance Guaranteed

CHARLOTTE, NC ■ SPARTANBURG, SC ■ GREENSBORO, NC



TUTHILL
Pump Group

12500 South Pulaski Road
Alsip, Illinois USA 60803
Tel 708 389-2500 Fax 708 388-0869
email: tuthillpump@tuthill.com
www.tuthill.com

LUBETECH LE SERIES PARTS LIST

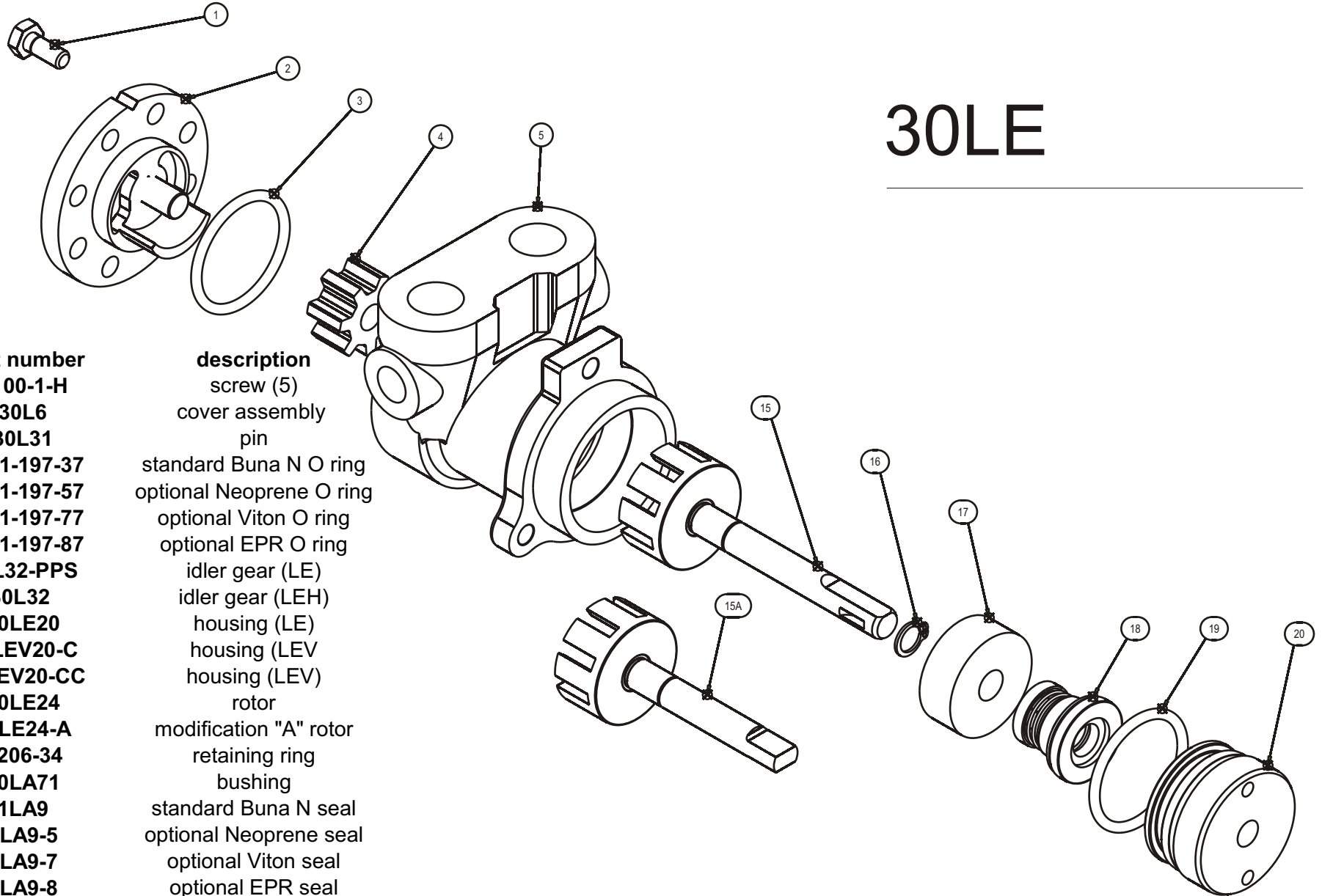
Contents:

Page 2:	30LE Pump
Page 3:	30LE Relief Valve Option
Page 4:	30LE Ball Bearing Option
Page 5:	00LE Pump
Page 6:	00LE Relief Valve Option
Page 7:	00LE Reversing Option
Page 8:	00LE Ball Bearing Option
Page 9:	0LE Pump
Page 10:	0LE Relief Valve Option
Page 11:	0LE Reversing Option
Page 12:	0LE Ball Bearing Option
Page 13:	1LE Pump
Page 14:	1LE Relief Valve Option
Page 15:	1LE Reversing Option
Page 16:	1LE Ball Bearing Option
Page 17:	2LE Pump
Page 18:	2LE Relief Valve Option
Page 19:	2LE Reversing Option
Page 20:	2LE Ball Bearing Option
Page 21:	5LE Pump
Page 22:	5LE Relief Valve Option
Page 23:	5LE Ball Bearing Option



TUTHILL PUMP GROUP - LUBETECH PARTS LIST

30LE



item	part number	description
1	P100-1-H	screw (5)
2	30L6	cover assembly
	30L31	pin
3	P701-197-37	standard Buna N O ring
	P701-197-57	optional Neoprene O ring
	P701-197-77	optional Viton O ring
	P701-197-87	optional EPR O ring
4	30L32-PPS	idler gear (LE)
	30L32	idler gear (LEH)
5	30LE20	housing (LE)
	30LEV20-C	housing (LEV)
	30LEV20-CC	housing (LEV)
15	30LE24	rotor
15a	30LE24-A	modification "A" rotor
16	P206-34	retaining ring
17	30LA71	bushing
18	1LA9	standard Buna N seal
	1LA9-5	optional Neoprene seal
	1LA9-7	optional Viton seal
	1LA9-8	optional EPR seal
19	P701-34-37	standard Buna N O ring
	P701-34-57	optional Neoprene O ring
	P701-34-77	optional Viton O ring
	P701-34-87	optional EPR O ring
20	1LA11	housing plug (LE)

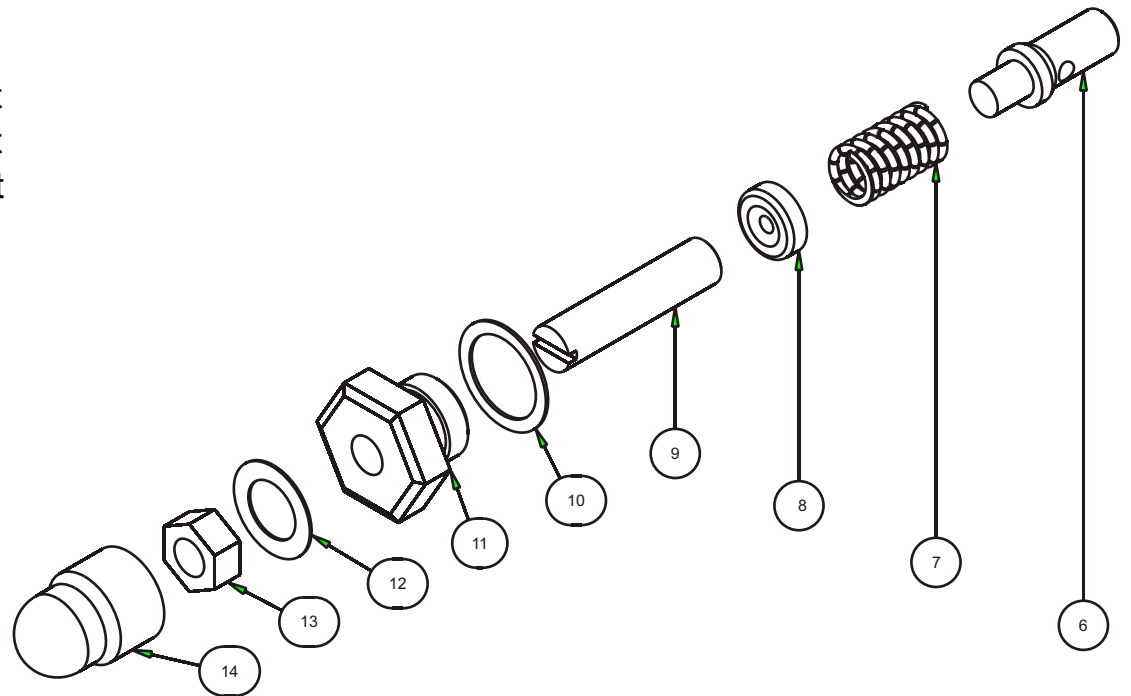


TUTHILL PUMP GROUP - LUBETECH PARTS LIST

item	part number	description
6	0LWV58-X201	plunger
7	0LWV63	standard spring (55-120)
	30F80-X	optional spring (15-30)
	0C62-X201	optional spring (30-34)
	0C62-X299	optional spring (35-54)
	0LWVH63	optional spring (121-169)
	0LPV63	optional spring (170-374)
	0LV63X	optional spring (375-500)
8	30EN92	retainer
9	P103-11	adjusting screw
10	30F64-X201	valve cap gasket
11	0LWV56	valve cap gasket
12	30LE64-A	cap cover gasket
13	30LE528	nut
14	30LE56	acorn nut

30LE

Relief Valve Option

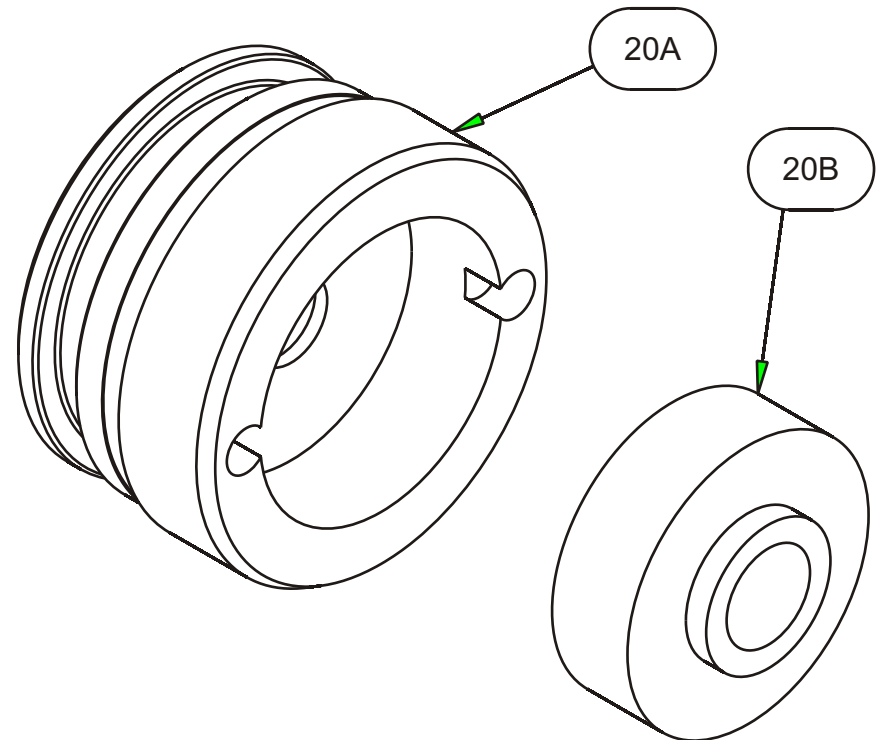




30LE

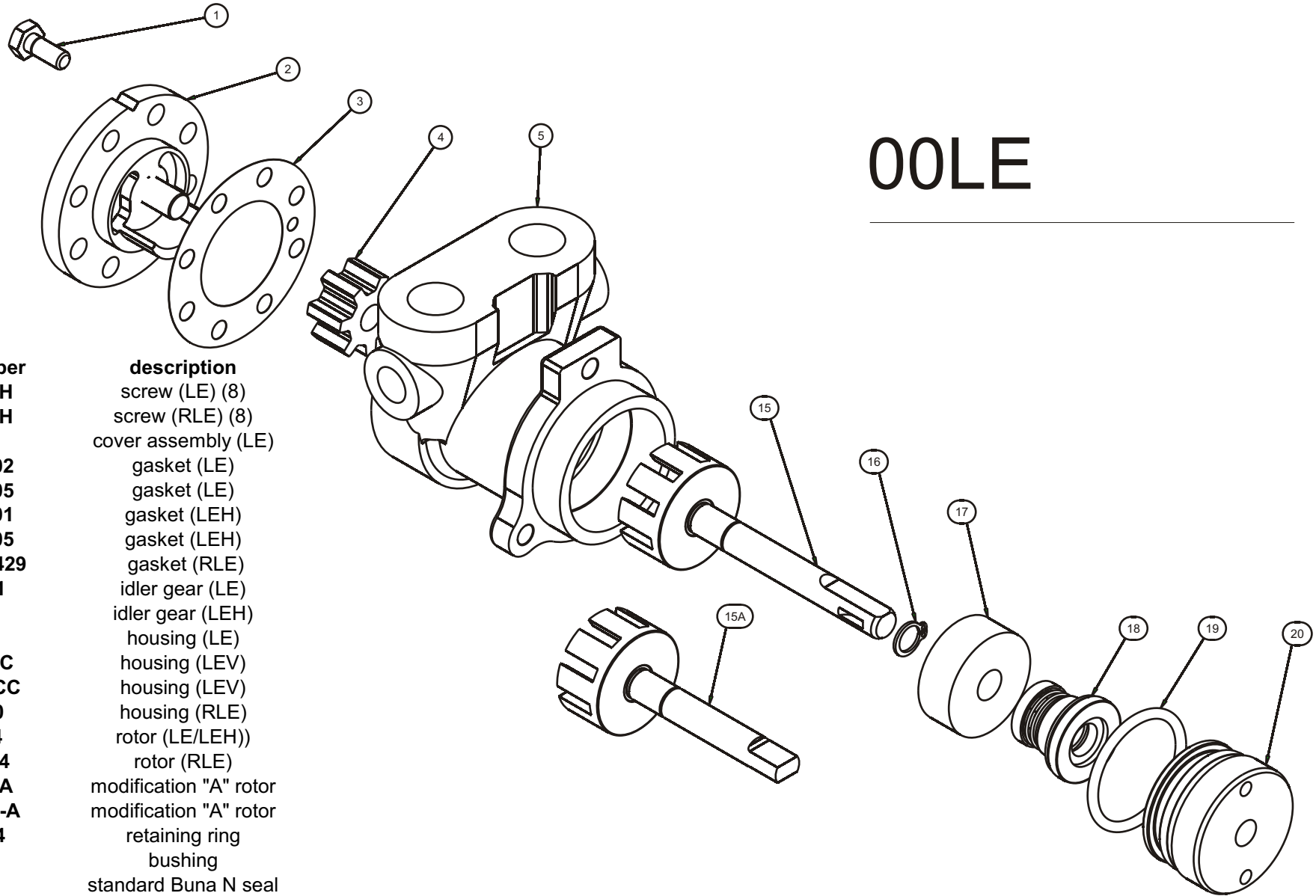
Ball Bearing Option

item	part number	description
20a	1LAK37	housing plug (LEK)
20b	0LK511-E	ball bearing (LEK)





TUTHILL PUMP GROUP - LUBETECH PARTS LIST



00LE

item	part number	description
1	P100-21-H P105-77-H	screw (LE) (8) screw (RLE) (8)
2	00L6	cover assembly (LE)
3	0B34-.002 0B34-.005 0B34-.001 0B34-.005 0B34-MX429	gasket (LE) gasket (LE) gasket (LEH) gasket (LEH) gasket (RLE)
4	00B32-1 00B32	idler gear (LE) idler gear (LEH)
5	0LE20 0LEV20-C 0LEV20-CC 0RLE20	housing (LE) housing (LEV) housing (LEV) housing (RLE)
15	00LE24 00RLE24	rotor (LE/LEH) rotor (RLE)
15a	00LE24-A 00RLE24-A	modification "A" rotor modification "A" rotor
16	P206-34	retaining ring
17	1LA71	bushing
18	1LA9 1LA9-5 1LA9-7 1LA9-8	standard Buna N seal optional Neoprene seal optional Viton seal optional EPR seal
19	P701-34-37 P701-34-57 P701-34-77 P701-34-87	standard Buna N O ring optional Neoprene O ring optional Viton O ring optional EPR O ring
20	1LA11	housing plug (LE)

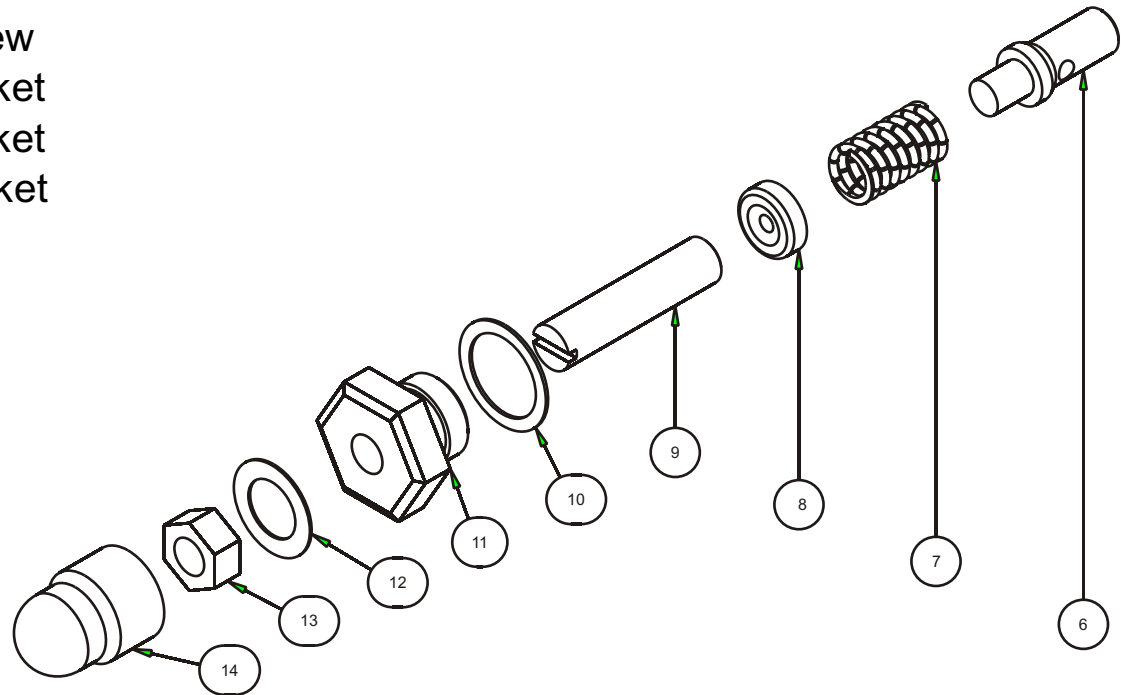


TUTHILL PUMP GROUP - LUBETECH PARTS LIST

item	part number	description
6	0LWV58-X201	plunger
7	0LWV63	standard spring (55-120)
	0C62-X201	optional spring (25-34)
	0C62-X299	optional spring (35-54)
	0LWVH63	optional spring (121-169)
	0LPV63	optional spring (170-374)
	0LV63X	optional spring (375-500)
8	30EN92	retainer
9	P103-11	adjusting screw
10	30F64-X201	valve cap gasket
11	0LWV56	valve cap gasket
12	30LE64-A	cap cover gasket
13	30LE528	nut
14	30LE56	acorn nut

00LE

Relief Valve Option

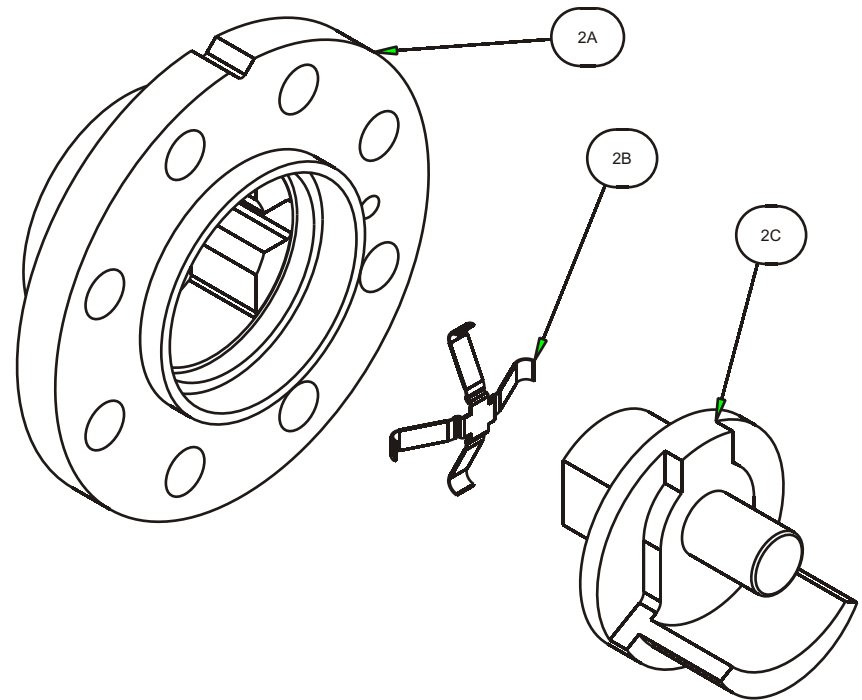




00LE

Reversing Option

item	part number	description
2a	0RL35	cover (RLE)
2b	1R80-A	spring (RLE)
2c	00RF6 1M31	carrier assembly (RLE) pin

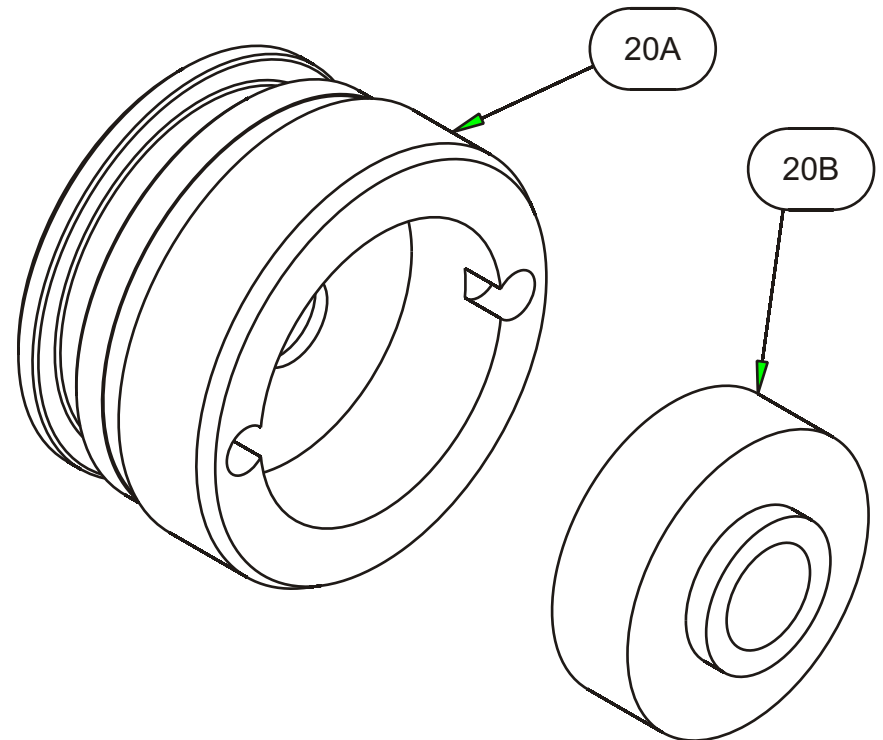




00LE

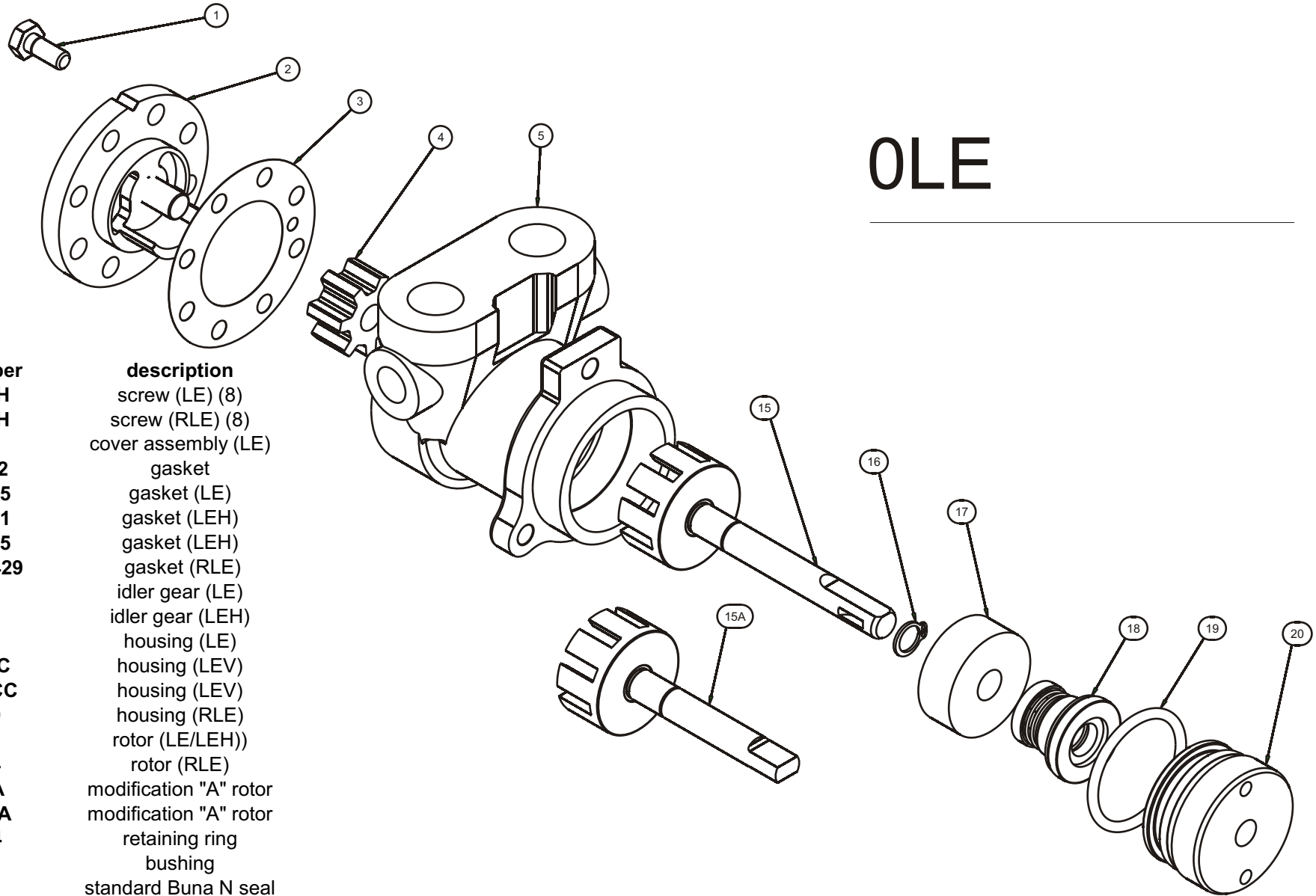
Ball Bearing Option

item	part number	description
20a	1LAK37	housing plug (LEK)
20b	0LK511-E	ball bearing (LEK)





TUTHILL PUMP GROUP - LUBETECH PARTS LIST



OLE

item	part number	description
1	P100-21-H P105-77-H	screw (LE) (8) screw (RLE) (8)
2	0L6	cover assembly (LE)
3	0B34-.002 0B34-.005 0B34-.001 0B34-.005 0B34-MX429	gasket gasket (LE) gasket (LEH) gasket (LEH) gasket (RLE)
4	0B32-1 0B32	idler gear (LE) idler gear (LEH)
5	0LE20 0LEV20-C 0LEV20-CC 0RLE20	housing (LE) housing (LEV) housing (LEV) housing (RLE)
15	0LE24 0RLE24	rotor (LE/LEH) rotor (RLE)
15a	0LE24-A 0RLE24-A	modification "A" rotor modification "A" rotor
16	P206-34	retaining ring
17	1LA71	bushing
18	1LA9 1LA9-5 1LA9-7 1LA9-8	standard Buna N seal optional Neoprene seal optional Viton seal optional EPR seal
19	P701-34-37 P701-34-57 P701-34-77 P701-34-87	standard Buna N O ring optional Neoprene O ring optional Viton O ring optional EPR O ring
20	1LA11	housing plug (LE)

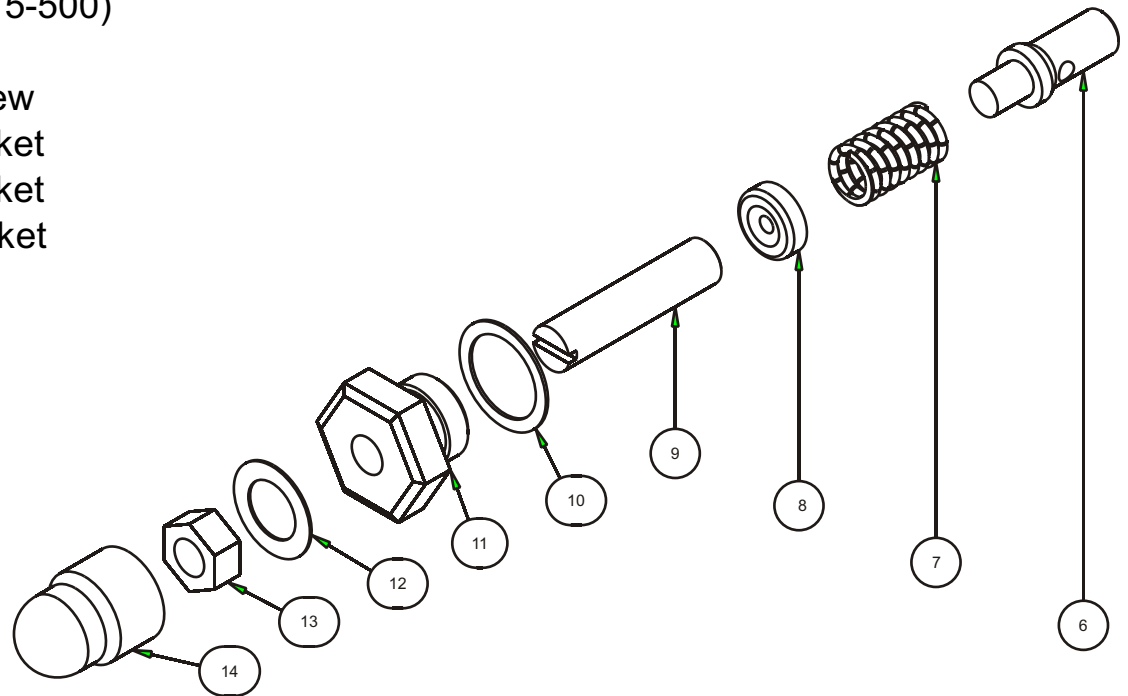


TUTHILL PUMP GROUP - LUBETECH PARTS LIST

OLE

Relief Valve Option

item	part number	description
6	0LWV58-X201	plunger
7	0LWV63	standard spring (55-120)
	0C62-X201	optional spring (25-34)
	0C62-X299	optional spring (35-54)
	0LWVH63	optional spring (121-169)
	0LPV63	optional spring (170-374)
	0LV63X	optional spring (375-500)
8	30EN92	retainer
9	P103-11	adjusting screw
10	30F64-X201	valve cap gasket
11	0LWV56	valve cap gasket
12	30LE64-A	cap cover gasket
13	30LE528	nut
14	30LE56	acorn nut

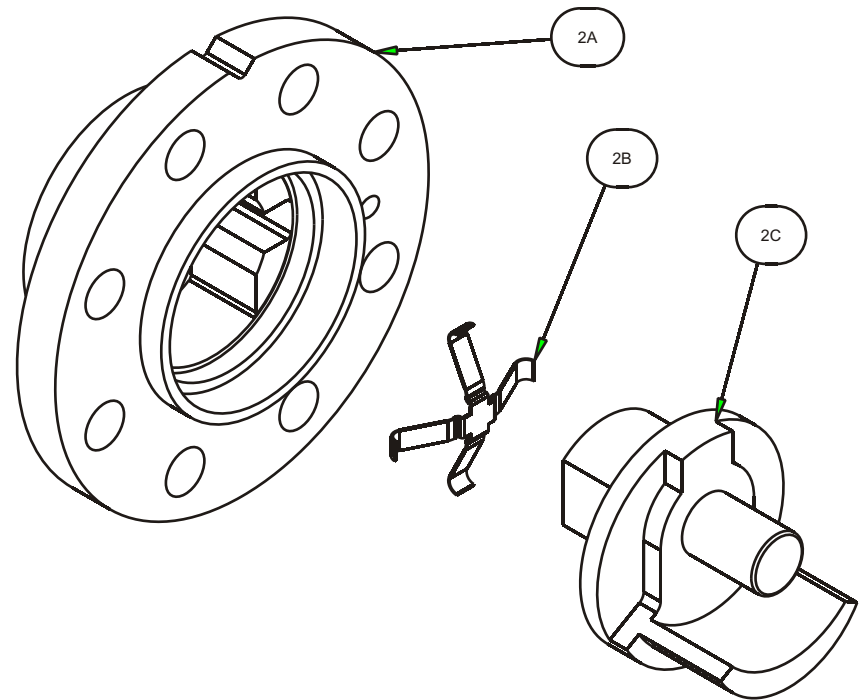




OLE

Reversing Option

item	part number	description
2a	0RL35	cover (RLE)
2b	1R80-A	spring (RLE)
2c	0RF6	carrier assembly (RLE)
	1M31	pin

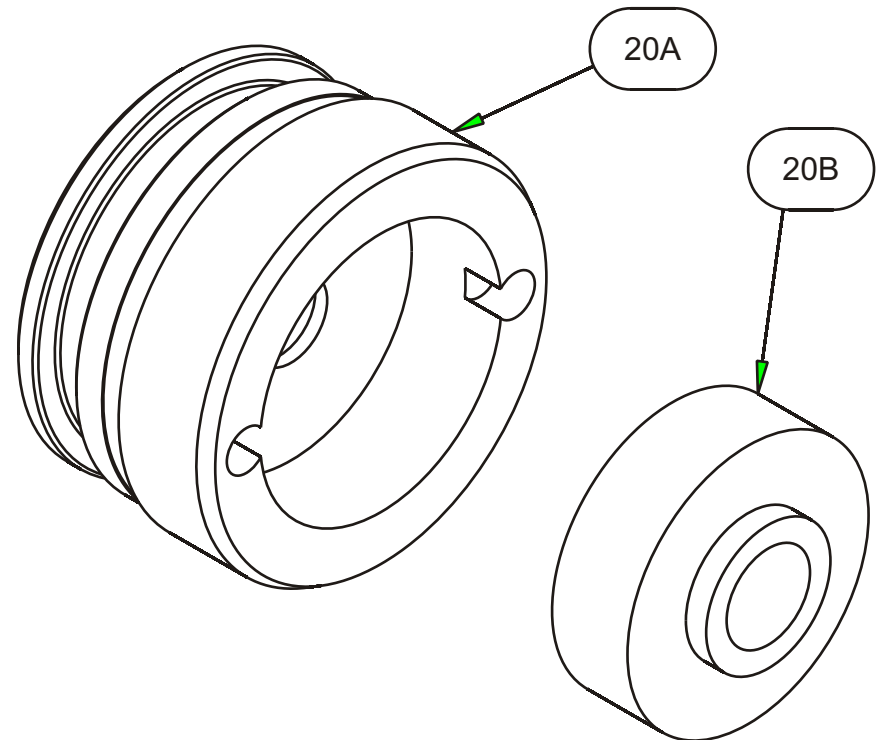




OLE

Ball Bearing Option

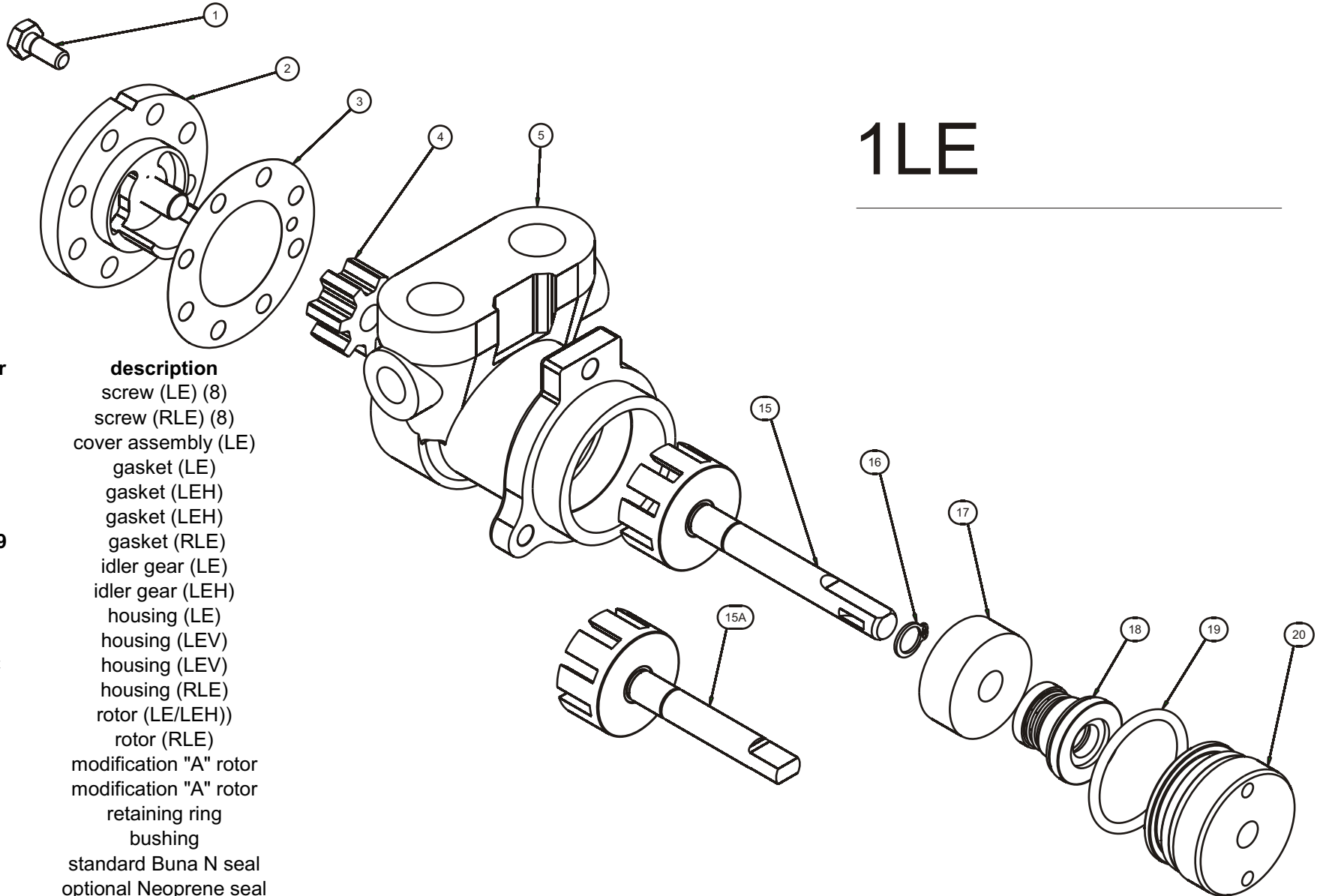
item	part number	description
20a	1LAK37	housing plug (LEK)
20b	0LK511-E	ball bearing (LEK)





TUTHILL PUMP GROUP - LUBETECH PARTS LIST

1LE



item	part number	description
1	P100-21-H P105-77-H	screw (LE) (8) screw (RLE) (8)
2	1L6	cover assembly (LE)
3	0B34-.005 0B34-.001 0B34-.005 0B34-MX429	gasket (LE) gasket (LEH) gasket (LEH) gasket (RLE)
4	1L32-1 1L32	idler gear (LE) idler gear (LEH)
5	1LE20 1LEV20-C 1LEV20-CC 1RLE20	housing (LE) housing (LEV) housing (LEV) housing (RLE)
15	1LE24 1RLE24	rotor (LE/LEH) rotor (RLE)
15a	1LE24-A 1RLE24-A	modification "A" rotor modification "A" rotor
16	P206-34	retaining ring
17	1LA71	bushing
18	1LA9 1LA9-5 1LA9-7 1LA9-8	standard Buna N seal optional Neoprene seal optional Viton seal optional EPR seal
19	P701-34-37 P701-34-57 P701-34-77 P701-34-87	standard Buna N O ring optional Neoprene O ring optional Viton O ring optional EPR O ring
20	1LA11	housing plug (LE)

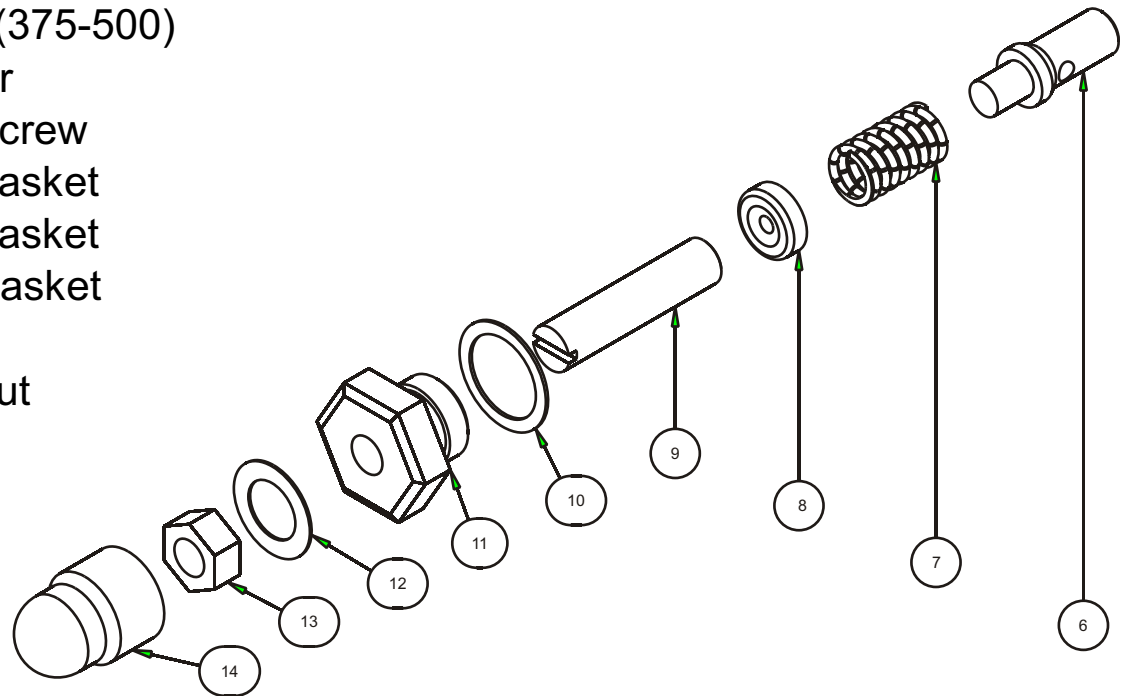


TUTHILL PUMP GROUP - LUBETECH PARTS LIST

item	part number	description
6	0LWV58-X201	plunger
7	0LWV63	standard spring (55-120)
	0C62-X201	optional spring (25-34)
	0C62-X299	optional spring (35-54)
	0LWVH63	optional spring (121-169)
	0LPV63	optional spring (170-374)
	0LV63X	optional spring (375-500)
8	30EN92	retainer
9	P103-11	adjusting screw
10	30F64-X201	valve cap gasket
11	0LWV56	valve cap gasket
12	30LE64-A	cap cover gasket
13	30LE528	nut
14	30LE56	acorn nut

1LE

Relief Valve Option

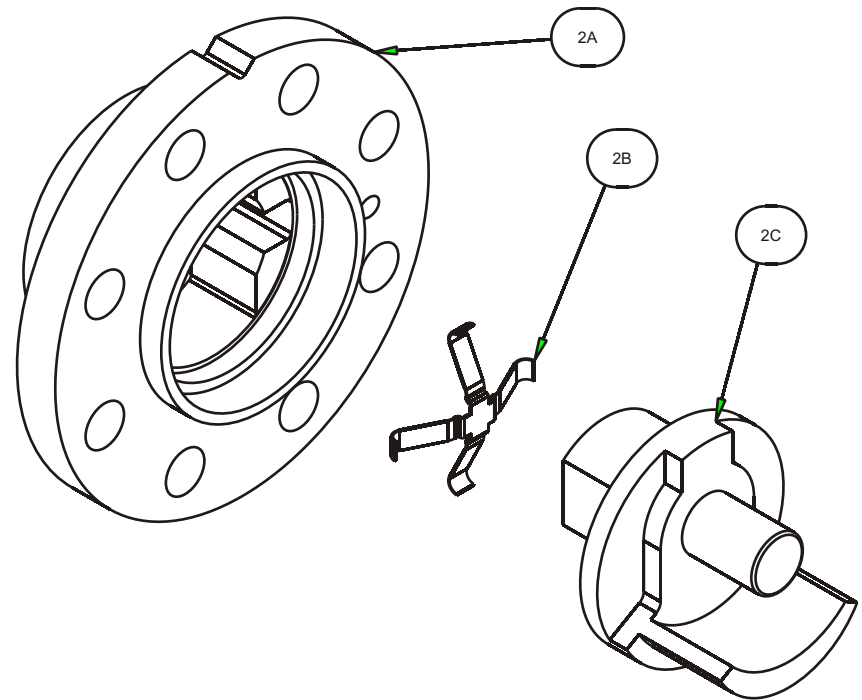




1LE

Reversing Option

item	part number	description
2a	0RL35	cover (RLE)
2b	1R80-A	spring (RLE)
2c	1RF6	carrier assembly (RLE)
	1L31	pin

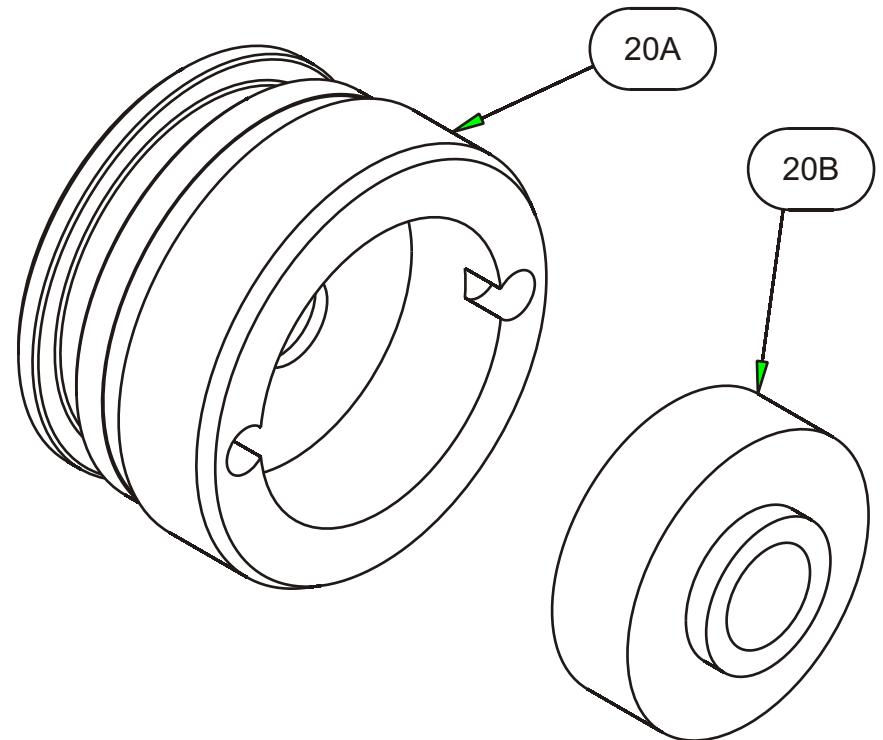




1LE

Ball Bearing Option

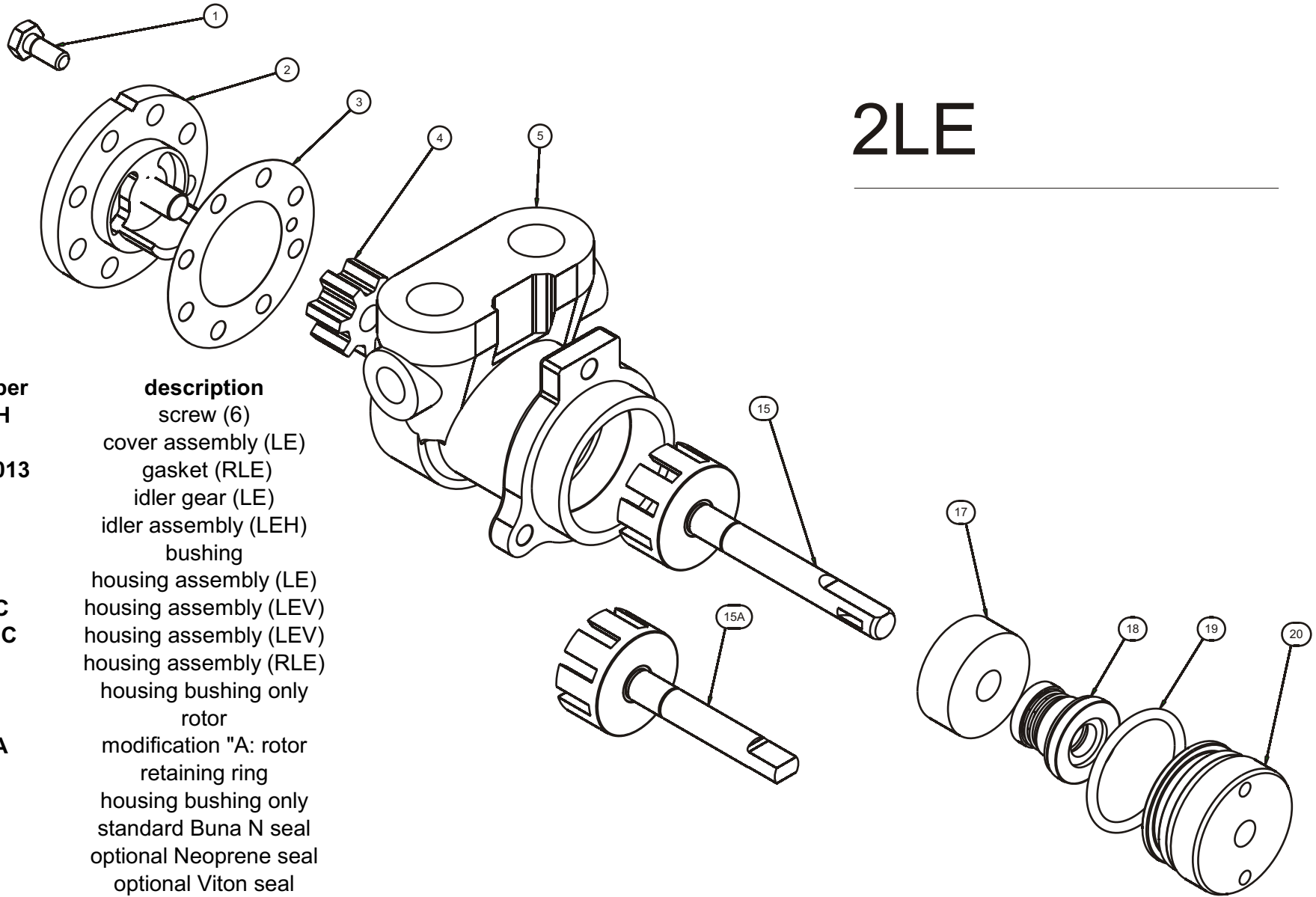
item	part number	description
20a	1LAK37	housing plug (LEK)
20b	0LK511-E	ball bearing (LEK)





TUTHILL PUMP GROUP - LUBETECH PARTS LIST

2LE



item	part number	description
1	P101-3-H	screw (6)
2	2L6	cover assembly (LE)
3	2RFD34-.013	gasket (RLE)
4	2L32-1	idler gear (LE)
	2L5	idler assembly (LEH)
	2L33	bushing
5	2LE2	housing assembly (LE)
	2LEV2-C	housing assembly (LEV)
	2LEV2-CC	housing assembly (LEV)
	2RLE2	housing assembly (RLE)
	1MR71	housing bushing only
15	2LE24	rotor
15a	2LE24-A	modification "A": rotor retaining ring
17	1MR71	housing bushing only
18	1LA9	standard Buna N seal
	1LA9-5	optional Neoprene seal
	1LA9-7	optional Viton seal
	1LA9-8	optional EPR seal
19	P701-34-37	standard Buna N O ring
	P701-34-57	optional Neoprene O ring
	P701-34-77	optional Viton O ring
	P701-34-87	optional EPR O ring
20	1LA11	housing plug (LE)

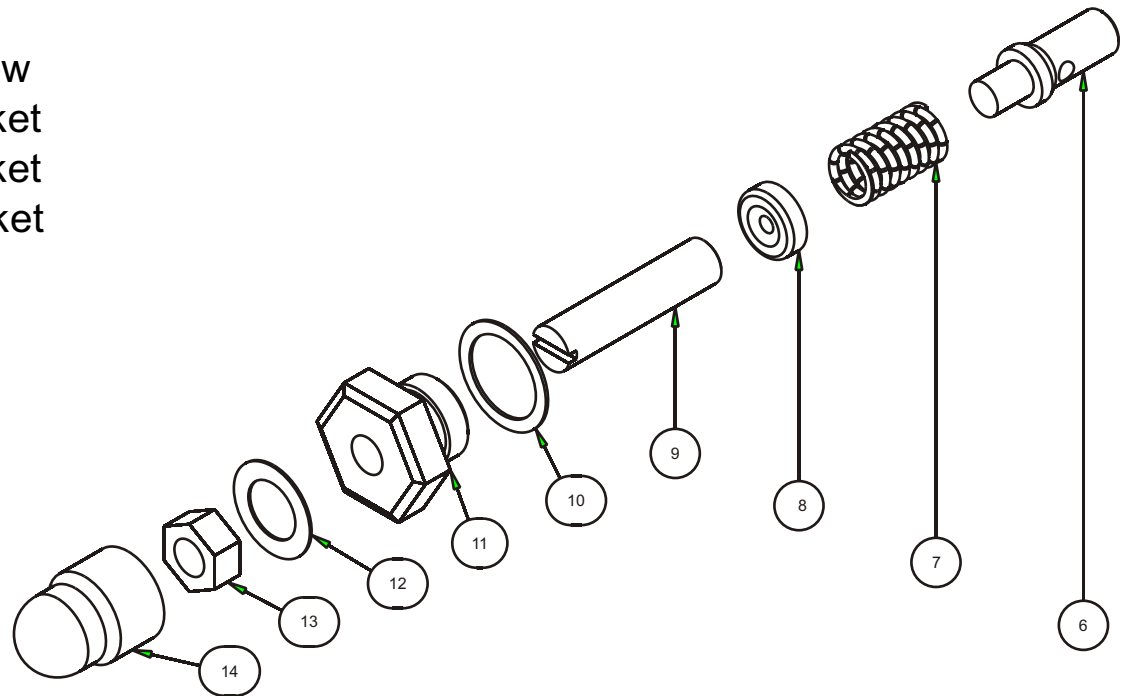


TUTHILL PUMP GROUP - LUBETECH PARTS LIST

item	part number	description
6	0LWV58-X201	plunger
7	0LWV63	standard spring (55-120)
	0C62-X201	optional spring (25-34)
	0C62-X299	optional spring (35-54)
	0LWVH63	optional spring (121-169)
	0LPV63	optional spring (170-374)
	0LV63X	optional spring (375-500)
8	30EN92	retainer
9	P103-11	adjusting screw
10	30F64-X201	valve cap gasket
11	0LWV56	valve cap gasket
12	30LE64-A	cap cover gasket
13	30LE528	nut
14	30LE56	acorn nut

2LE

Relief Valve Option

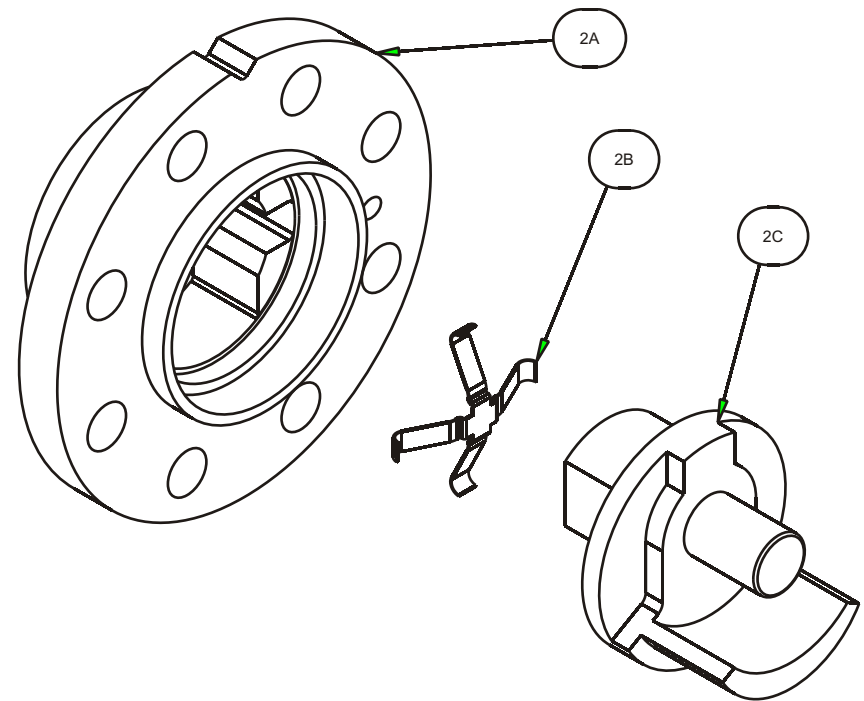




2LE

Reversing Option

item	part number	description
2a	2RL35	cover (RLE)
2b	1R80-A	spring (RLE)
2c	2RL6	carrier assembly (RLE)
	2L31	pin

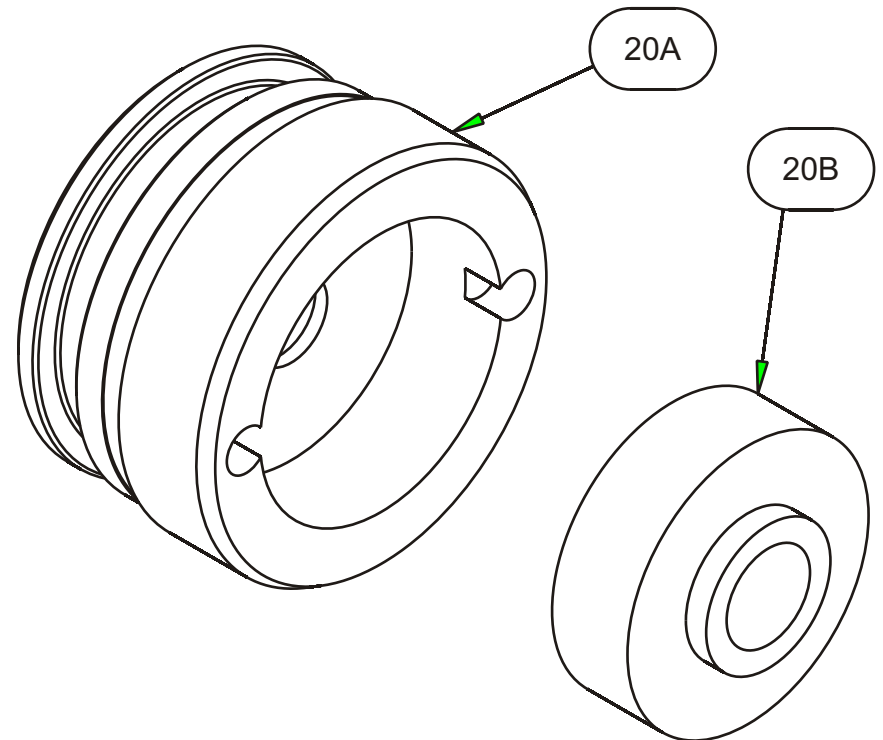




2LE

Ball Bearing Option

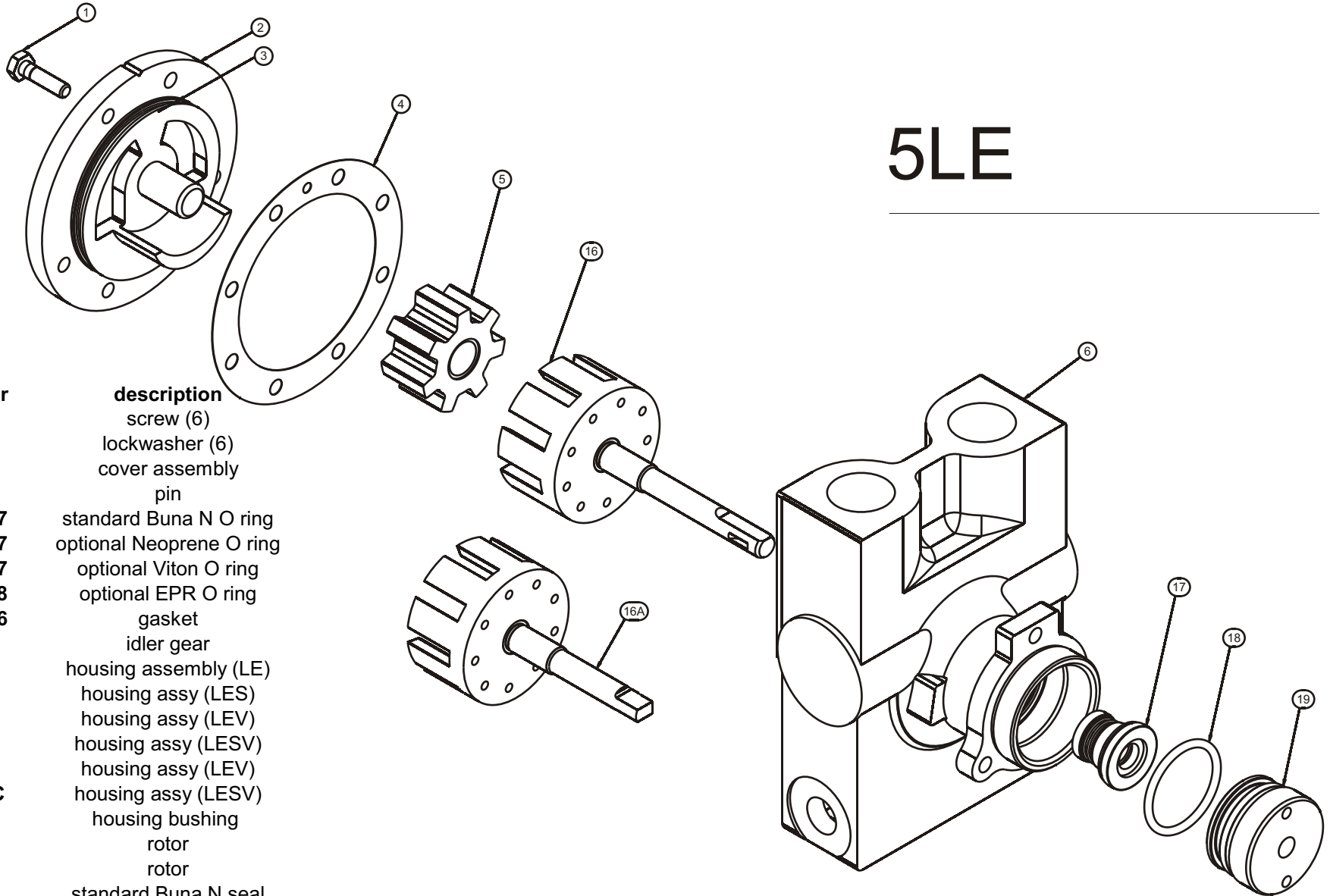
item	part number	description
20a	1LAK37	housing plug (LEK)
20b	0LK511-E	ball bearing (LEK)





TUTHILL PUMP GROUP - LUBETECH PARTS LIST

5LE



item	part number	description
1	P100-6-H P802-5	screw (6) lockwasher (6)
2	5LE6 2R31	cover assembly pin
3	P701-173-37 P701-173-57 P701-173-77 P701-173-88	standard Buna N O ring optional Neoprene O ring optional Viton O ring optional EPR O ring
4	2M34-JX726	gasket
5	5LE5-1	idler gear
6	5LE2 5LES2 5LEV2-C 5LESV2-C 5LEV2-CC 5LESV2-CC	housing assembly (LE) housing assy (LES) housing assy (LEV) housing assy (LESV) housing assy (LEV) housing assy (LESV)
16	5LE24	rotor
16a	5LE24-A	rotor
17	1LA9 1LA9-5 1LA9-7 1LA9-8	standard Buna N seal optional Neoprene seal optional Viton seal optional EPR seal
18	P701-34-37 P701-34-57 P701-34-77 P701-34-87	standard Buna N O ring optional Neoprene O ring optional Viton o ring optional EPR O ring
19	1LA11	housing plug (LE)

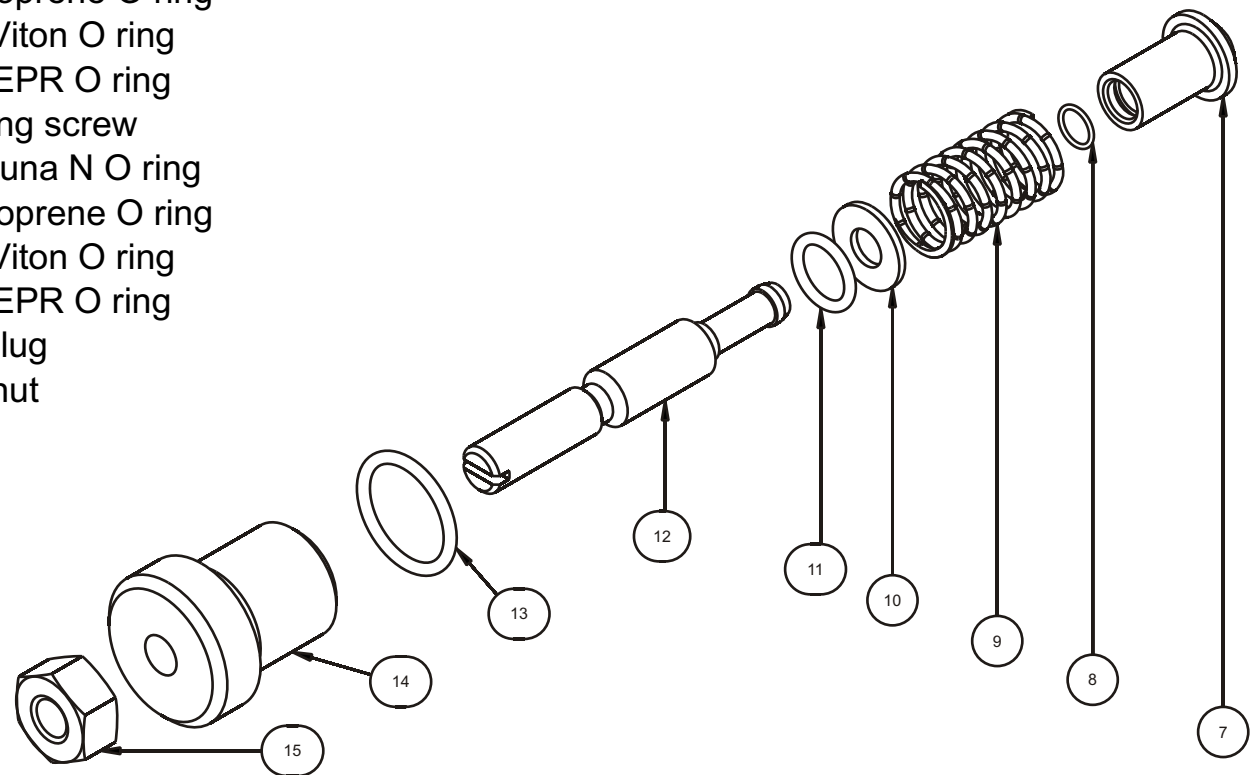


TUTHILL PUMP GROUP - LUBETECH PARTS LIST

5LE

Relief Valve Option

item	part number	description
7	5LEV58	plunger
8	5LEV77	retainer
9	P615-14	standard spring (40-70)
	5LE63	optional spring (70-225)
10	P800-9	valve cap gasket
11	P701-14-37	standard Buna N O ring
	P701-14-57	optional Neoprene O ring
	P701-14-77	optional Viton O ring
	P701-14-87	optional EPR O ring
12	5LEV527	adjusting screw
13	P701-129-37	standard Buna N O ring
	P701-129-57	optional Neoprene O ring
	P701-129-77	optional Viton O ring
	P701-129-87	optional EPR O ring
14	5LEV56	plug
15	30LE528	nut





5LE

Ball Bearing Option

item	part number	description
19a	1LAK37	housing plug (LEK)
19b	0LK511-E	ball bearing (LEK)

